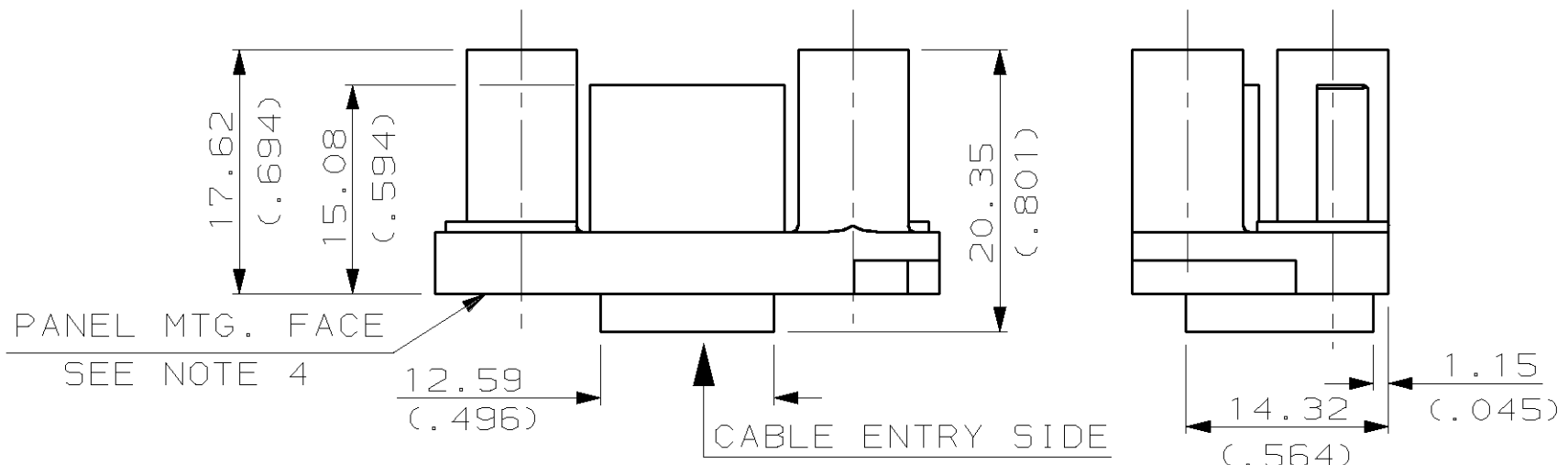
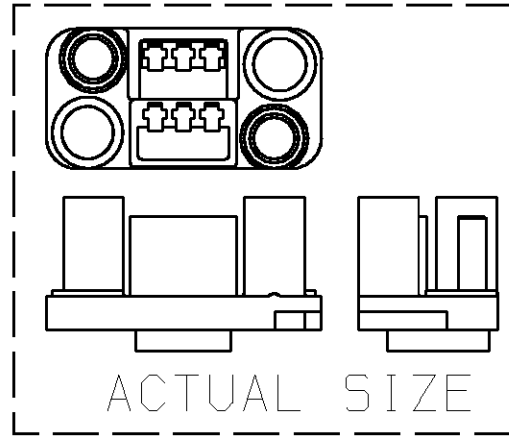
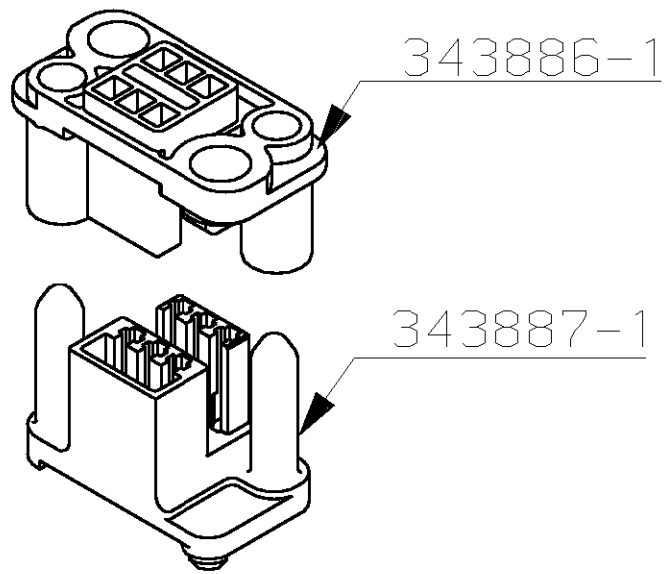
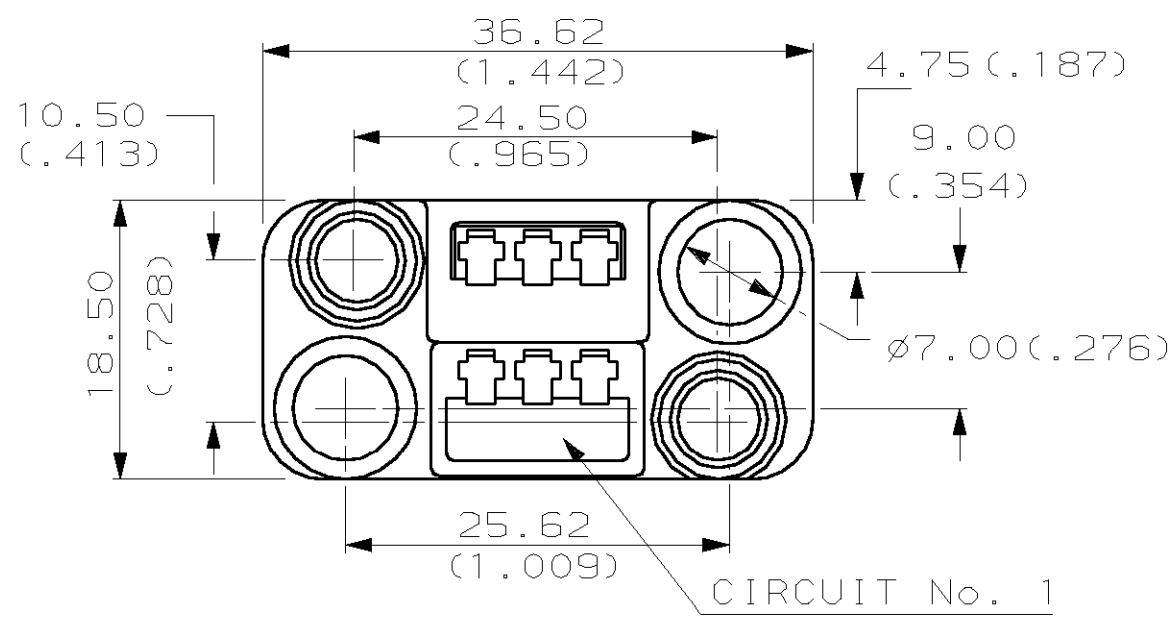
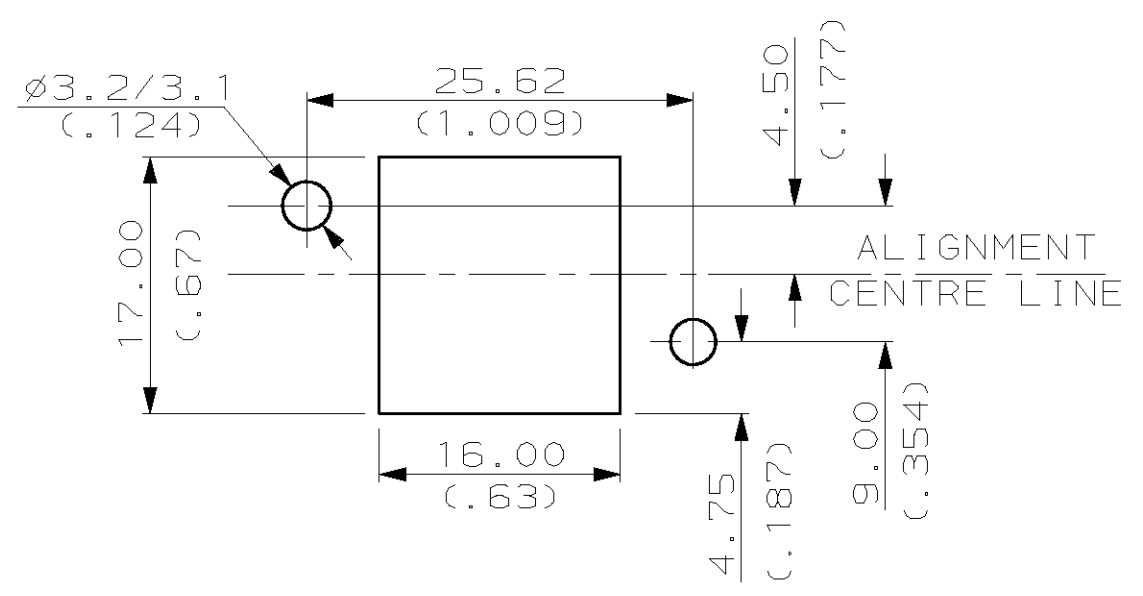


LOC	DIST	REVISIONS			
P	LTR	DESCRIPTION	DATE	DWN	APVD
AD	00				
	3	ECN C4735	28-8-87	WW	AM
	A	REV PER 0G52-0140-98	10/06/99	MM	MB



- NOTE;
- MATES WITH 343887-1
 - RECEIVES CONTACT No. 343371-1
 - CONSULT AMP GB. ENGINEERING FOR FURTHER INFORMATION
 - MOUNTING DETAILS: PBC TO MOUNTING PLATE DAYLIGHT 22.20 (.874) MIN OVERALL MATED HEIGHT 25.50 MAX



PANEL CUT OUT VIEWED FROM CABLE ENTRY SIDE

343886-1
PART NO

THIS DRAWING IS A CONTROLLED DOCUMENT.		DWN W. WILSON 16DEC86	AMP Incorporated Harrisburg, PA 17105-3608	
DIMENSIONS: mm		CHK -	NAME	
TOLERANCES UNLESS OTHERWISE SPECIFIED:		APVD -	PRODUCT SPEC	
0 PLC ±-		-	APPLICATION SPEC	
1 PLC ±0.5		-	SIZE CAGE CODE DRAWING NO RESTRICTED TO	
2 PLC ±0.2		-	A3 00779 C- 343886	
3 PLC ±-		-	SCALE 2:1 SHEET 1 OF 1 REV A	
4 PLC ANGLES ±1°		-	CUSTOMER DRAWING	
MATERIAL 30% GF PBT	FINISH BLACK	WEIGHT -		

单击下面可查看定价，库存，交付和生命周期等信息

[>>TE Connectivity\(泰科\)](#)