

THIS DRAWING IS UNPUBLISHED
VERTRAULICHE UNVERÖFFENTLICHE ZEICHNUNG

RELEASE FOR PUBLIKATION
FREI FUER VERÖFFENTLICHUNG

MATED WITH:
PASSEND ZU:

LOC AI
DIST -

REVISIONS
ÄNDERUNGEN

© COPYRIGHT 2000

BY AMP INCORPORATED

ALL RIGHTS RESERVED
ALLE RECHTE VORBEHALTEN

BG5

P LTR

DESCRIPTION
BESCHREIBUNG

DATE

DWN

APVD

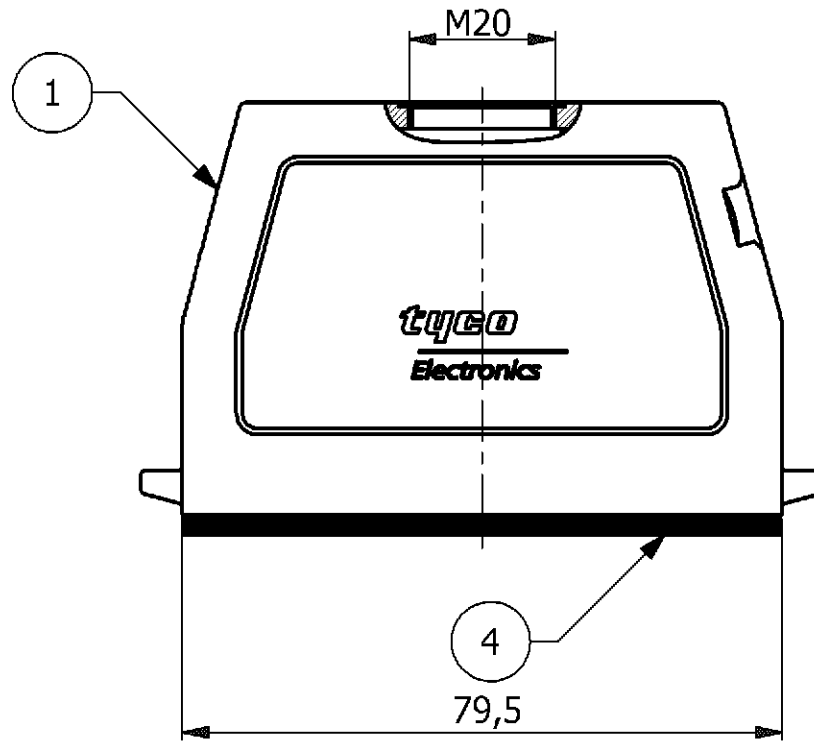
PROJEKT NR.
EGGMA05416

C2 ECR-16-016780

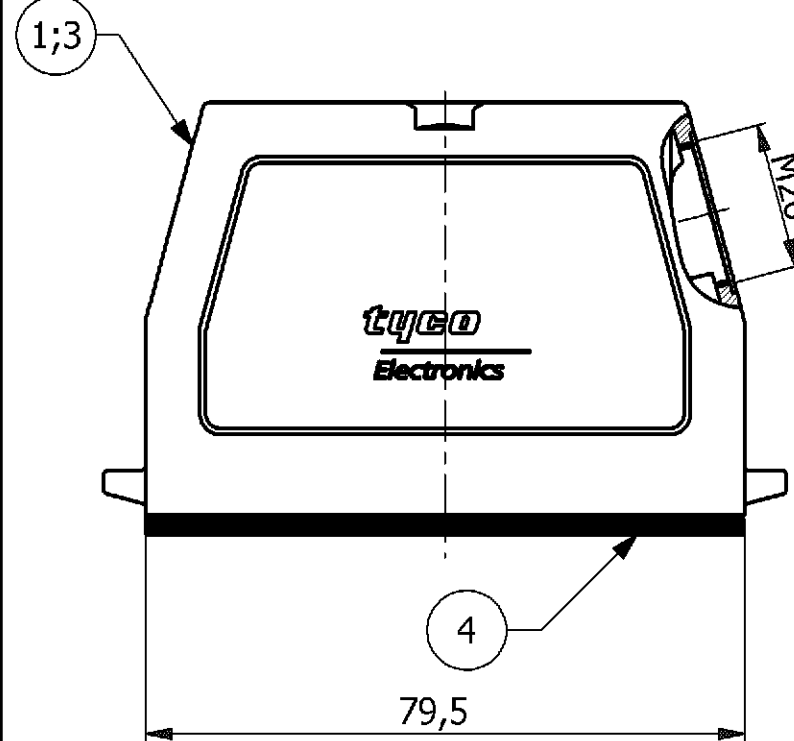
23SEP2017

GA

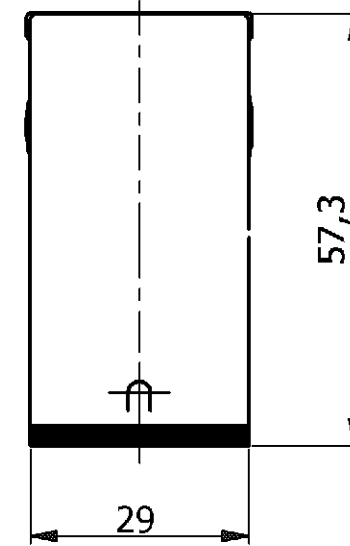
MKO



PN 0-1 & 0-6 as shown

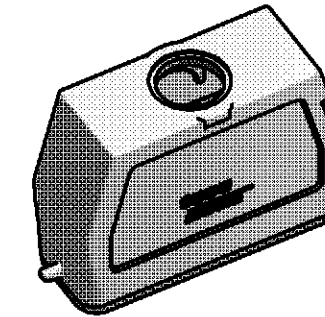


PN 0-2, 0-4 & 0-7 as shown

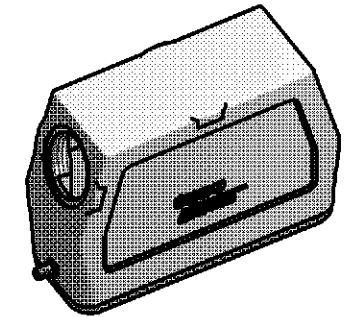


NOTES

- 1 PACKAGING QUANTITY: 5 PIECES PER BOX
- 2 MATERIAL: SEE TABLE
- 3 SURFACE: -GREY
- VARNISH BLACK
- 4 VARNISH ON THE INSIDE NOT NECESSARY
- 5 OBSOLETE



PN 0-1 & 0-6



PN 0-2, 0-4 & 0-7

QTY	ITEM NO.	DESCRIPTION	MATERIAL	SURFACE	COLOR	REMARKS
1	1	Profile Seal	Neoprene	-	Black	4
-	-	HA Hood	Aluminium	HC	Black	3
-	1	HA Hood	Aluminium	-	Black	2
1	1	HA Hood	Aluminium	-	Grey	1
0-7	0-6	0-5	0-4	0-2	0-1	
ORDERING TEXT						
HA.16.STO.1.M20.G						
HA.16.STS.1.M20.G						
HA-K.16.STS.1.M20.G						
HA.16.STS.1.M20.G						
HA.16.STO.1.M20.G.KM						
HA.16.STS.1.M20.G.KM						

DIMENSIONS: DIMENSIONEN: mm		TOLERANCES UNLESS OTHERWISE SPECIFIED: ALLGEMEINTOLERANZEN		DWN P.BENNUR 2/24/2006 CHK R.SRINIVAS 2/24/2006 APVD T.SCHNURPFEIL 2/24/2006			
		n. ISO 8015 - mH-E n. ISO 2768 - 140 n. DIN 16901-		PRODUCT SPEC. PRODUKTSPEZ. 108-74009		NAME HOOD HA.16.STS/STO.1.M20.G	
MATERIAL		FINISH / OBERFLÄCHE / FARBE		APPLICATION SPEC. VERARBEITUNGSSPEZ. 114-74001		DRAWING NO. ZEICHNUNGS-NR. 1106439	
				WEIGHT GEWICHT -		SIZE A3 CAGE CODE 00779	
CUSTOMER DRAWING / KUNDENZEICHNUNG				SCALE MASSSTAB 1:1		SHEET BLATT 1 OF VON 1	
						RESTRICTED TO NUR FUER REV. C2	

H:\HTS\Projects\ES200A\05-416-HA-HD Hood and Housing\HA_KIND\AUG16\HA_10 Assemblies\1106439_C_1106439.dwg

单击下面可查看定价，库存，交付和生命周期等信息

[>>TE Connectivity\(泰科\)](#)