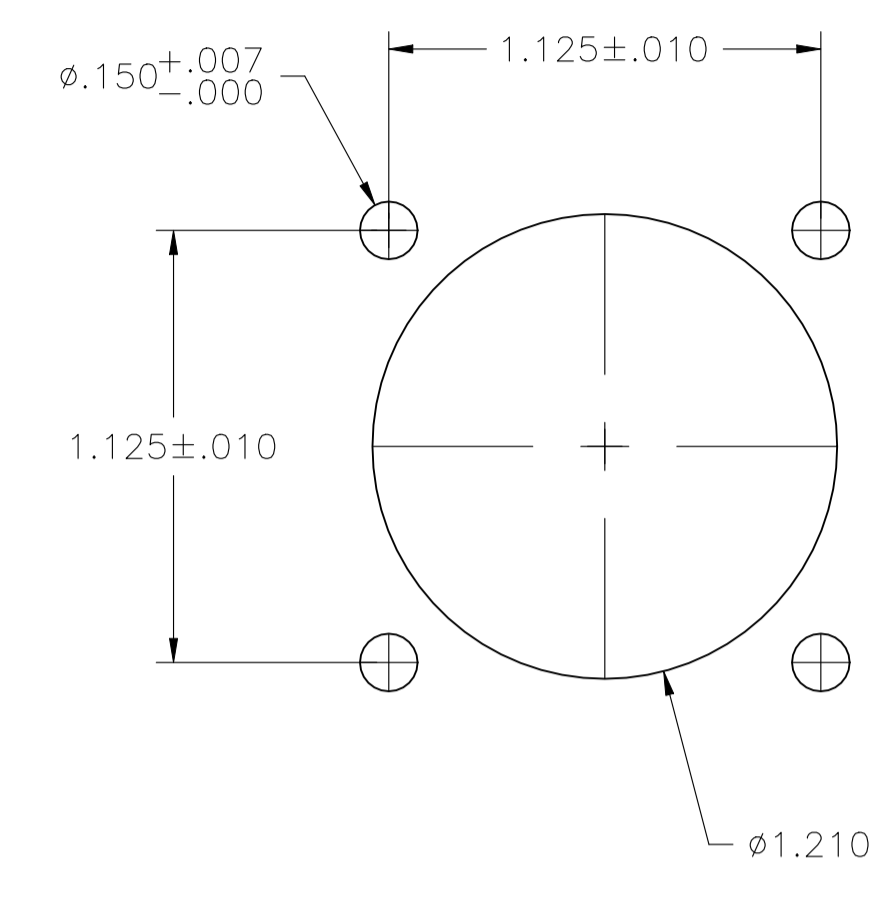
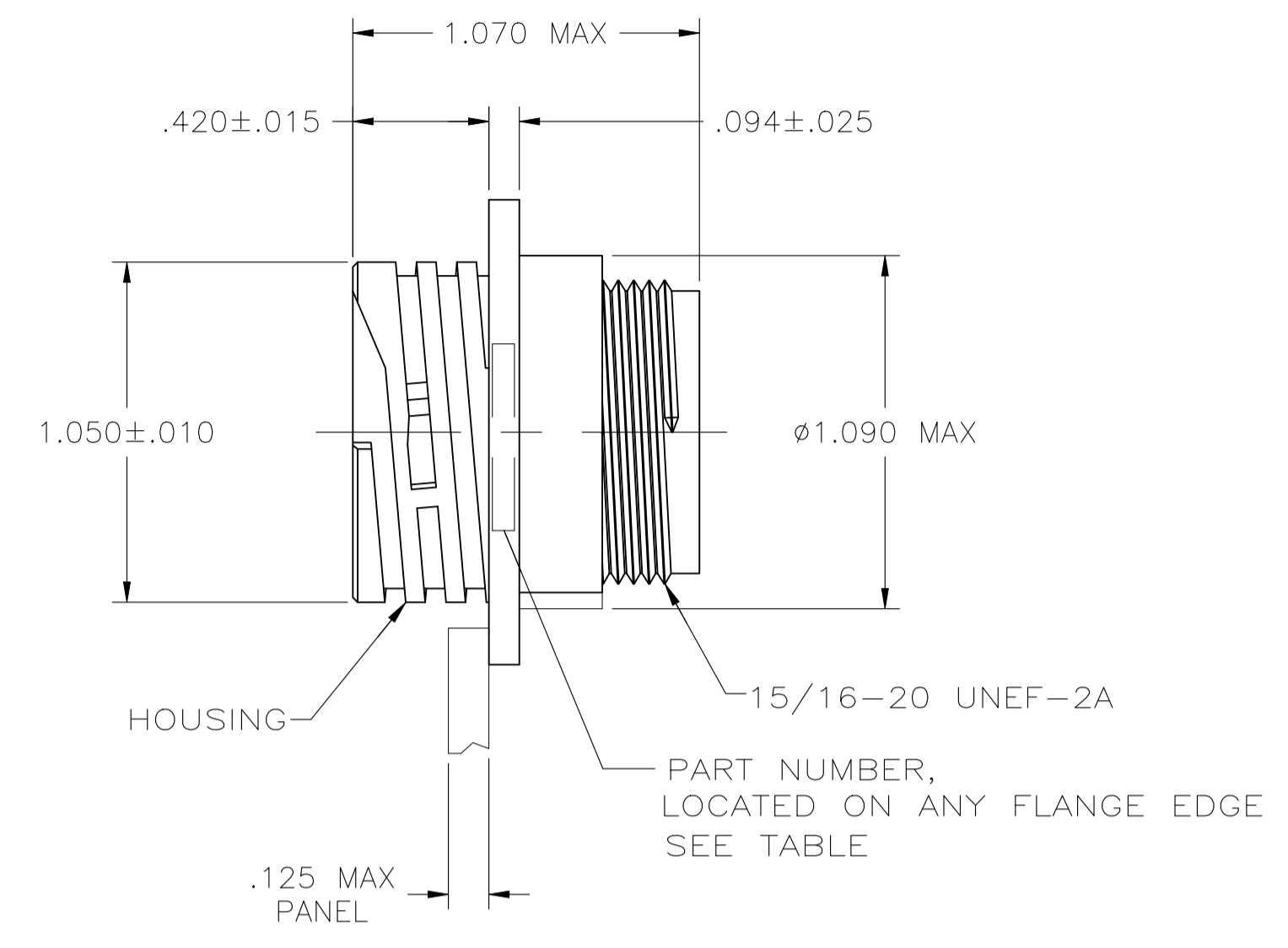
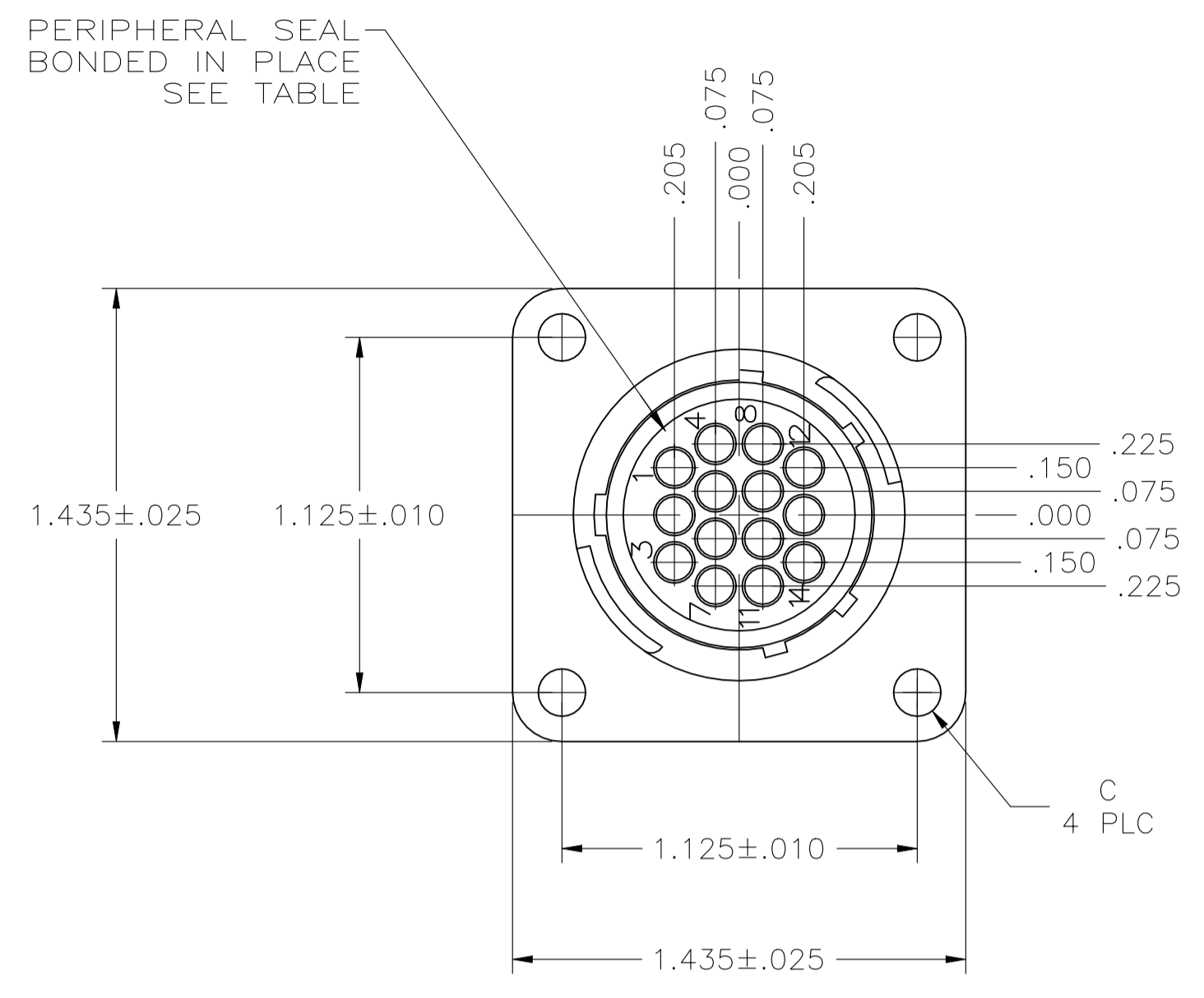
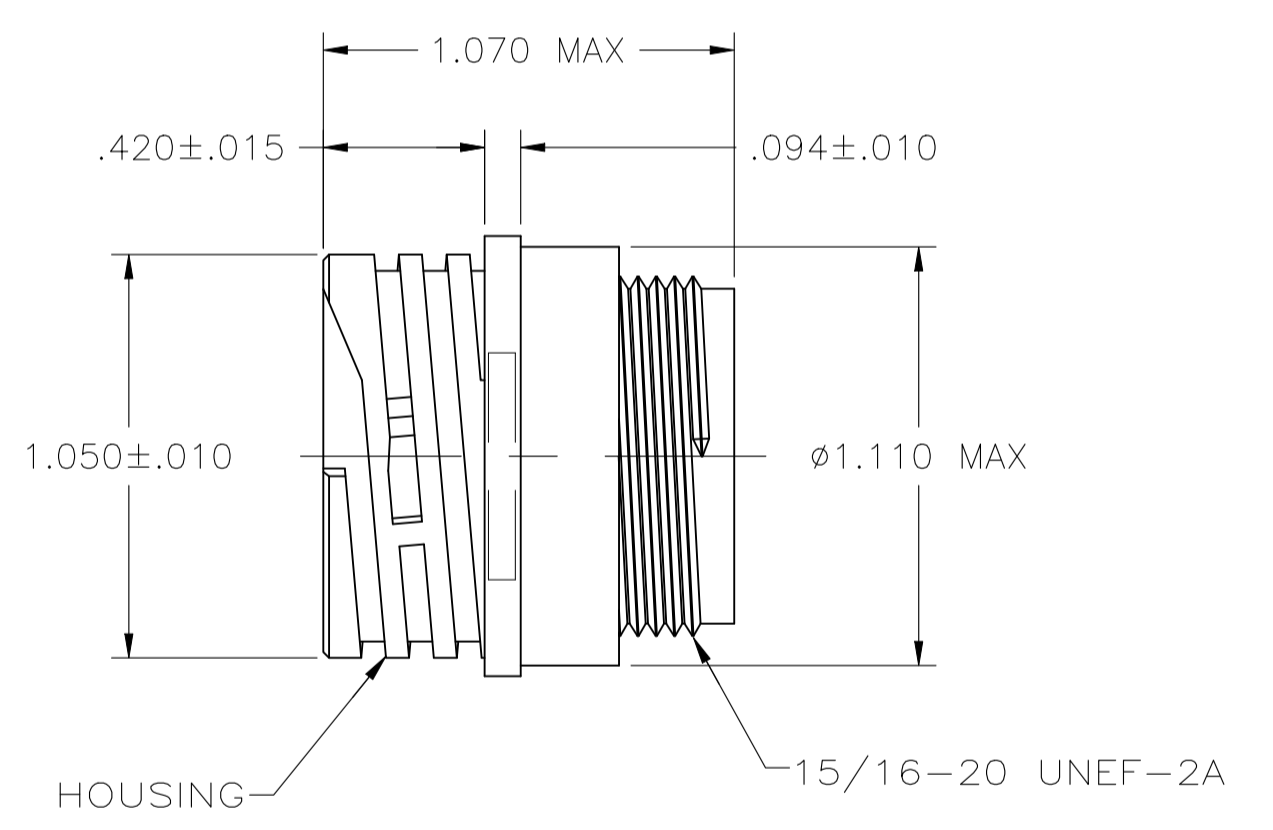
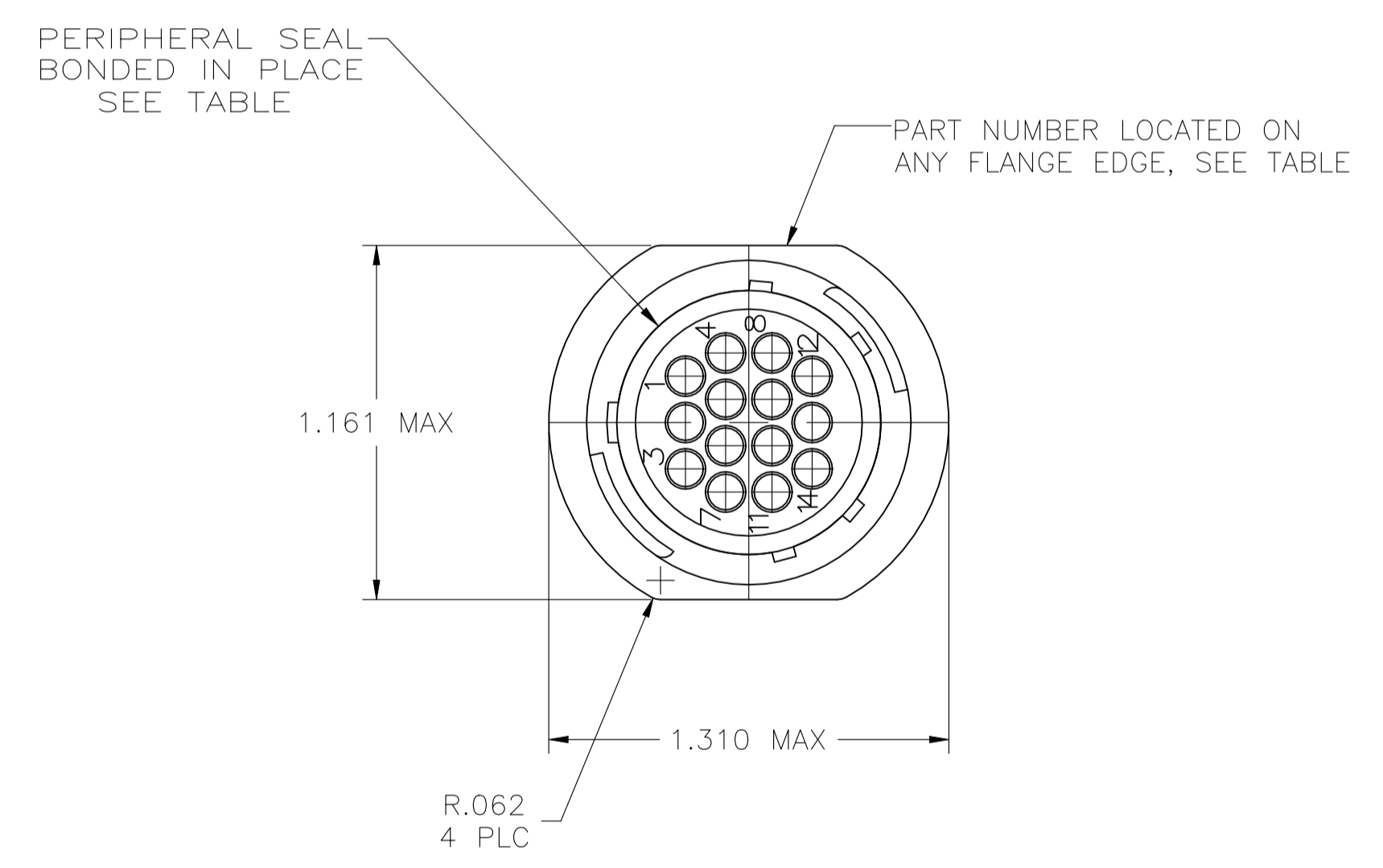


REVISIONS					
P	LTR	DESCRIPTION	DATE	DN	APVD
U		REVISED PER ECO-21-006948	27OCT2021	RK	MZ



DETAIL A

RECOMMENDED PANEL CUTOUT



DETAIL B

- 1 CAVITY IDENTIFICATION ON FRONT AND REAR FACE.
- 2 WILL ACCEPT FOURTEEN (14) MULTIMATE SOCKET CONTACTS.

OBSELETE	4-40 THREADED INSERTS	-	-	STANDARD	YES	A	206043-8
OBSELETE	Ø.150	-	-	SMALL PACK	NO	A	206043-6
-		206043-5	-	STANDARD	YES	B	206043-5
-	Ø.150	206043-4	206043-1	STANDARD	YES	A	206043-4
-		-	-	STANDARD	NO	B	206043-3
-	Ø.150	-	206043-1	STANDARD	NO	A	206043-1
	DIM C	LASER MARKED OR INK STAMPEDPART NUMBER	MOLDED PART NUMBER	PACKAGING	PERIPHERAL SEAL	SEE DETAIL	PART NO.

THIS DRAWING IS A CONTROLLED DOCUMENT.

DIMENSIONS: INCHES

TOLERANCES UNLESS OTHERWISE SPECIFIED:

0 PLC	± .005
1 PLC	± .005
2 PLC	± .010
3 PLC	± 0.13 [.005]
4 PLC	± .010
ANGLES	± .010

MATERIAL: HOUSING: NYLON BLACK

FINISH: -

APPROVED: W. LENKER 09/10/92, R. STONE 08/11/93

NAME: R. STONE

PRODUCT SPEC: 108-10024

APPLICATION SPEC: -

SIZE: A1

WEIGHT: -

CAGE CODE: 00779

DRAWING NO: 206043

RESTRICTED TO: -

CUSTOMER DRAWING

SCALE: 2:1

SHEET: 1 of 1

REV: U

STE TE Connectivity

RECEPTACLE ASSEMBLY, REVERSE SEX, SERIES 1, 17-14, CPC

单击下面可查看定价，库存，交付和生命周期等信息

[>>TE Connectivity\(泰科\)](#)