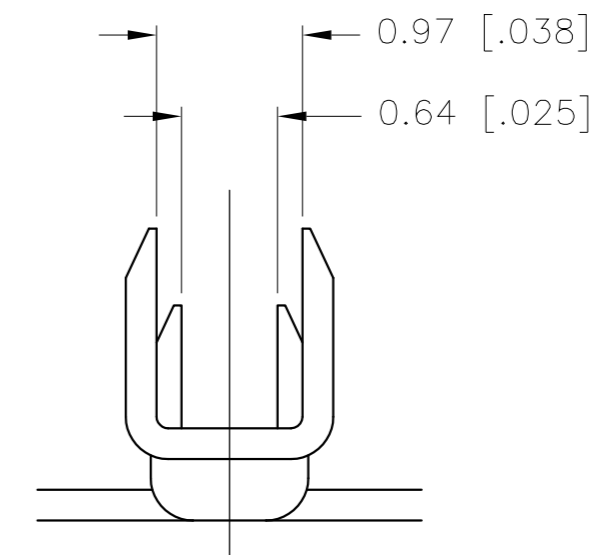
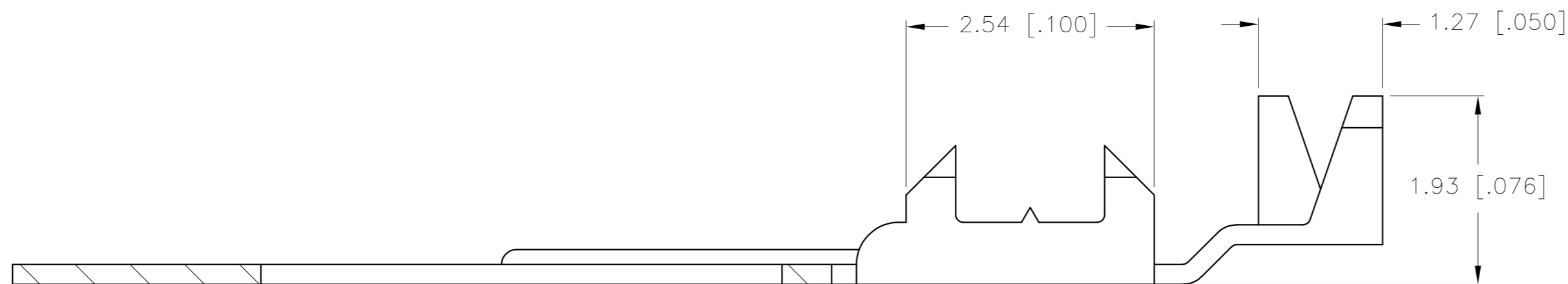
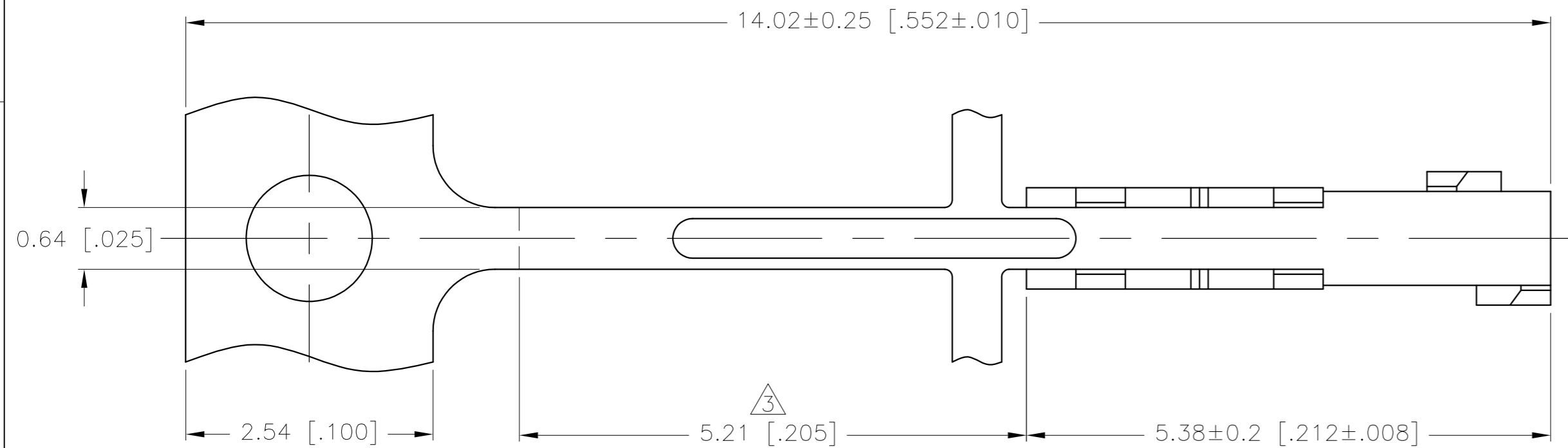


THIS DRAWING IS UNPUBLISHED. RELEASED FOR PUBLICATION
 © COPYRIGHT BY TYCO ELECTRONICS CORPORATION. ALL RIGHTS RESERVED.

| LOC | DIST | REVISIONS | | | |
|-----|------|-------------|---------------------------|---------|---------|
| P | LTR | DESCRIPTION | DATE | DWN | APVD |
| GP | 00 | A | REVISED PER ECO-07-022535 | 10NOV07 | JDP CWR |

- ① PHOSPHOR BRONZE, 0.20[.008] THICK.
- ② 0.00254[.000100] MIN TIN OVER 0.00127[.000050] MIN NICKEL.
- ③ APPLICATOR CUTOFF DIMENSION.



| PHYSICAL PROPERTIES | |
|--------------------------|-------------------|
| CONTACT RETENTION FORCE: | 44 N |
| INSERTION FORCE: | 1.4 N PER CONTACT |
| EXTRACTION FORCE: | 1 N PER CONTACT |
| ELECTRICAL PROPERTIES | |
| CURRENT RATING: | 3 AMPS PER PIN |
| ENVIRONMENTAL PROPERTIES | |
| TEMPERATURE RATING: | -40°C TO +105°C |

1658545-1
 PART NUMBER

| | | | | | | | | | |
|--|--------|--------------|------------|---------|---|-------------------------------|------------|---------------|---|
| THIS DRAWING IS A CONTROLLED DOCUMENT. | | DWN | J.GERACE | 26AUG04 | Tyco Electronics Corporation Harrisburg, PA 17105-3608 | | | | |
| DIMENSIONS: mm [INCHES] | | CHK | S.BOLASH | 26AUG04 | | | | | |
| TOLERANCES UNLESS OTHERWISE SPECIFIED: | | APVD | M.WALMSLEY | 26AUG04 | | | | | |
| 0 PLC ± - 1 PLC ± - 2 PLC ± - 3 PLC ± 0.13[.005] 4 PLC ± - ANGLES ± - | | PRODUCT SPEC | NAME | | | CONTACT, SOLDER TAB, FLEXPAC® | | | |
| MATERIAL | FINISH | WEIGHT | - | | SIZE | CAGE CODE | DRAWING NO | RESTRICTED TO | |
| ① | ② | - | A2 | 00779 | C= | 1658545 | - | | |
| CUSTOMER DRAWING | | | | SCALE | 20:1 | SHEET | 1 OF 1 | REV | A |

单击下面可查看定价，库存，交付和生命周期等信息

[>>TE Connectivity\(泰科\)](#)