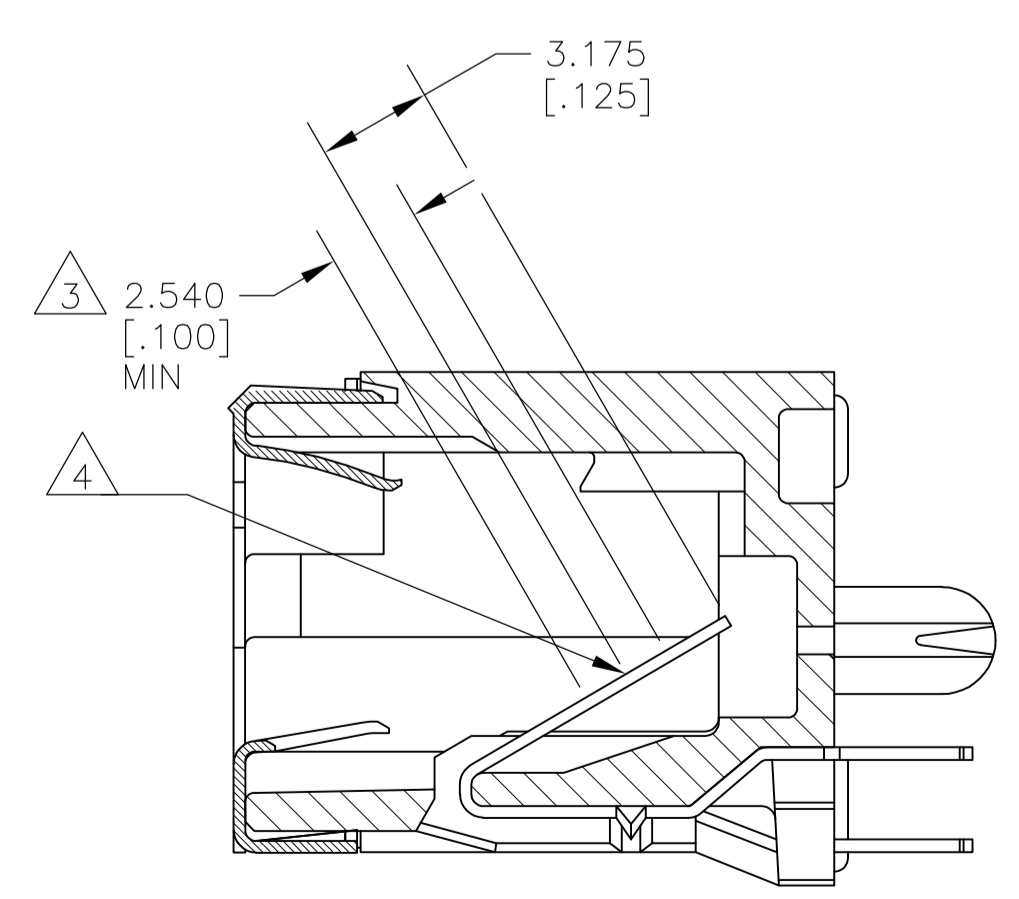
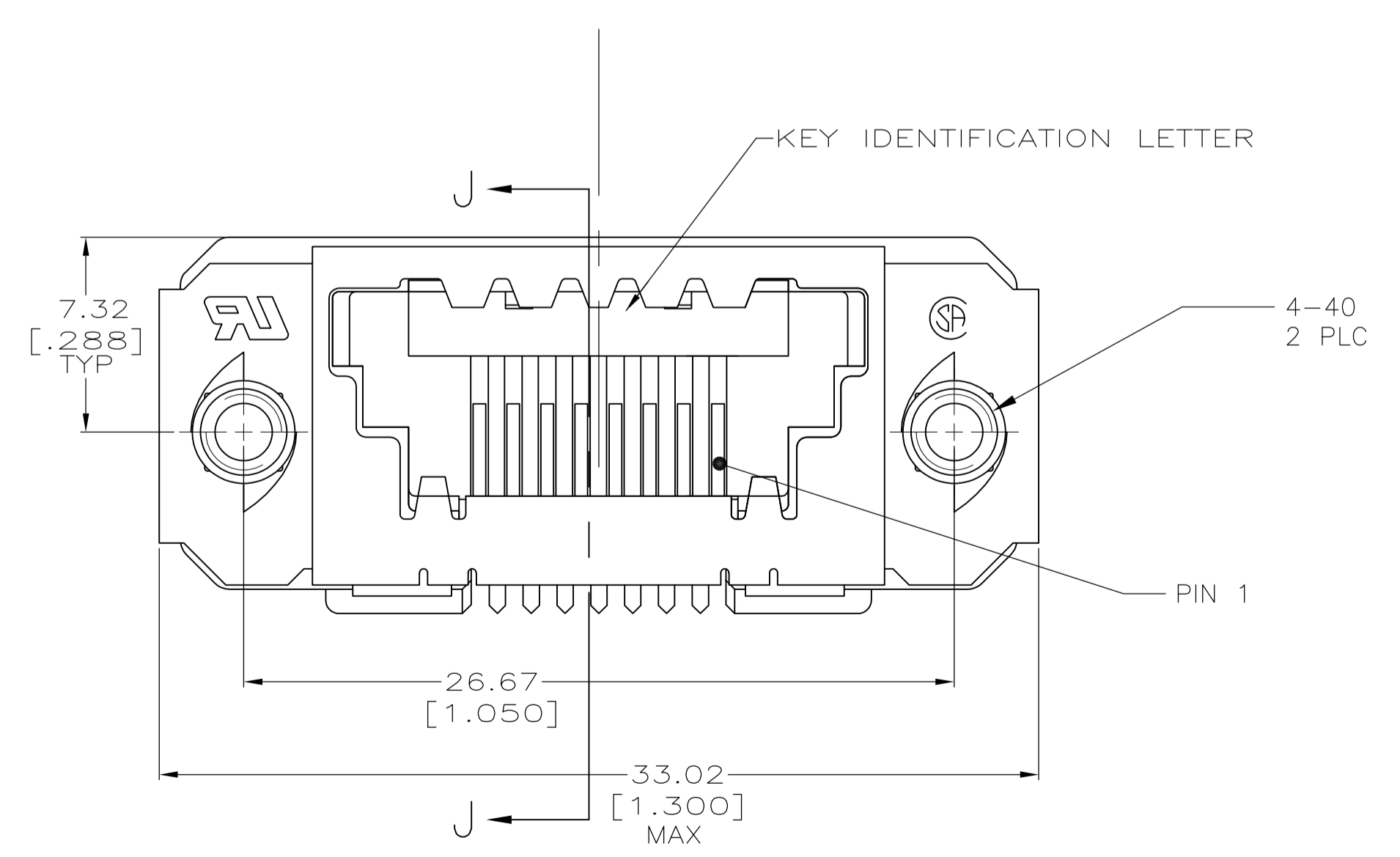
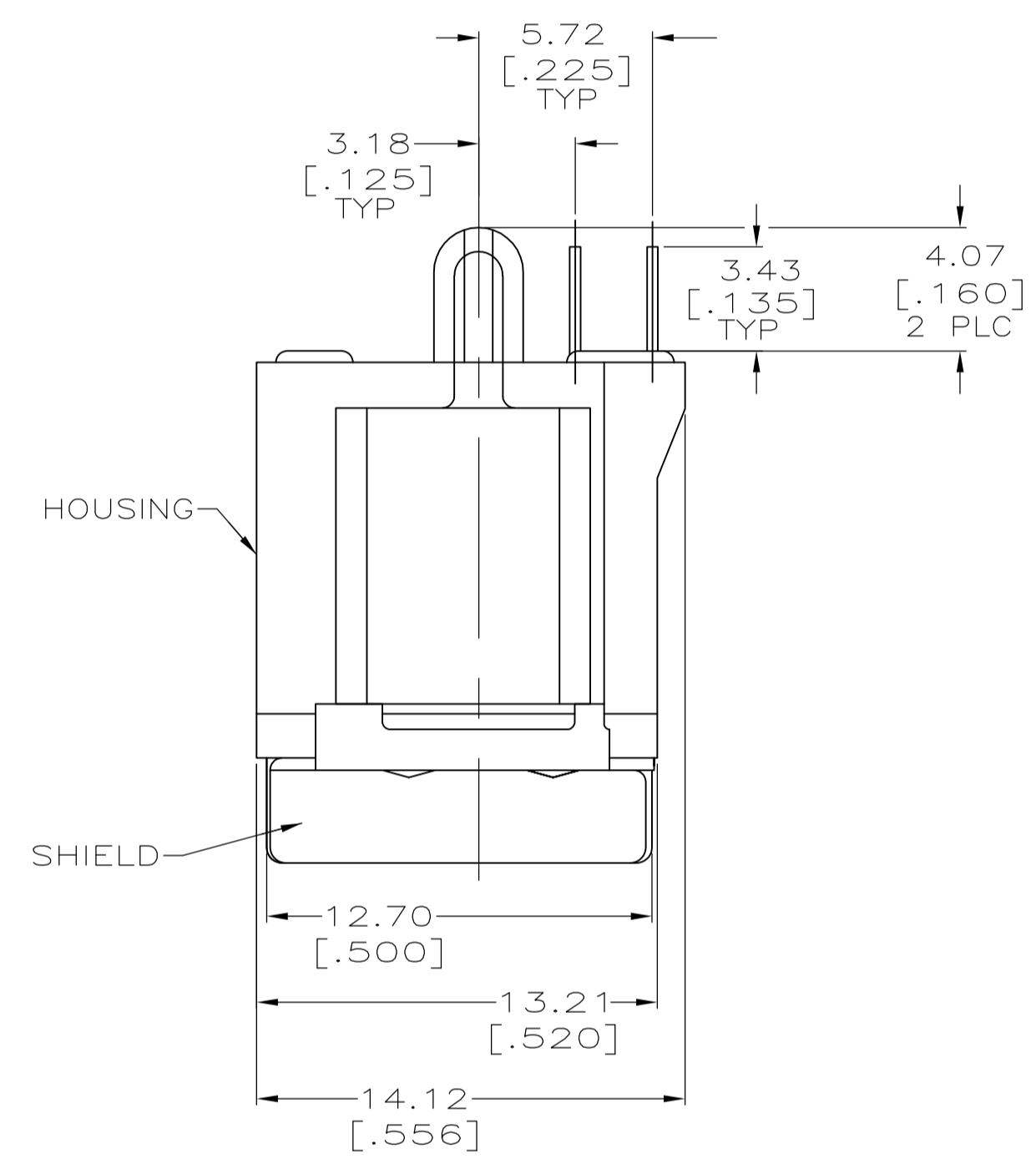
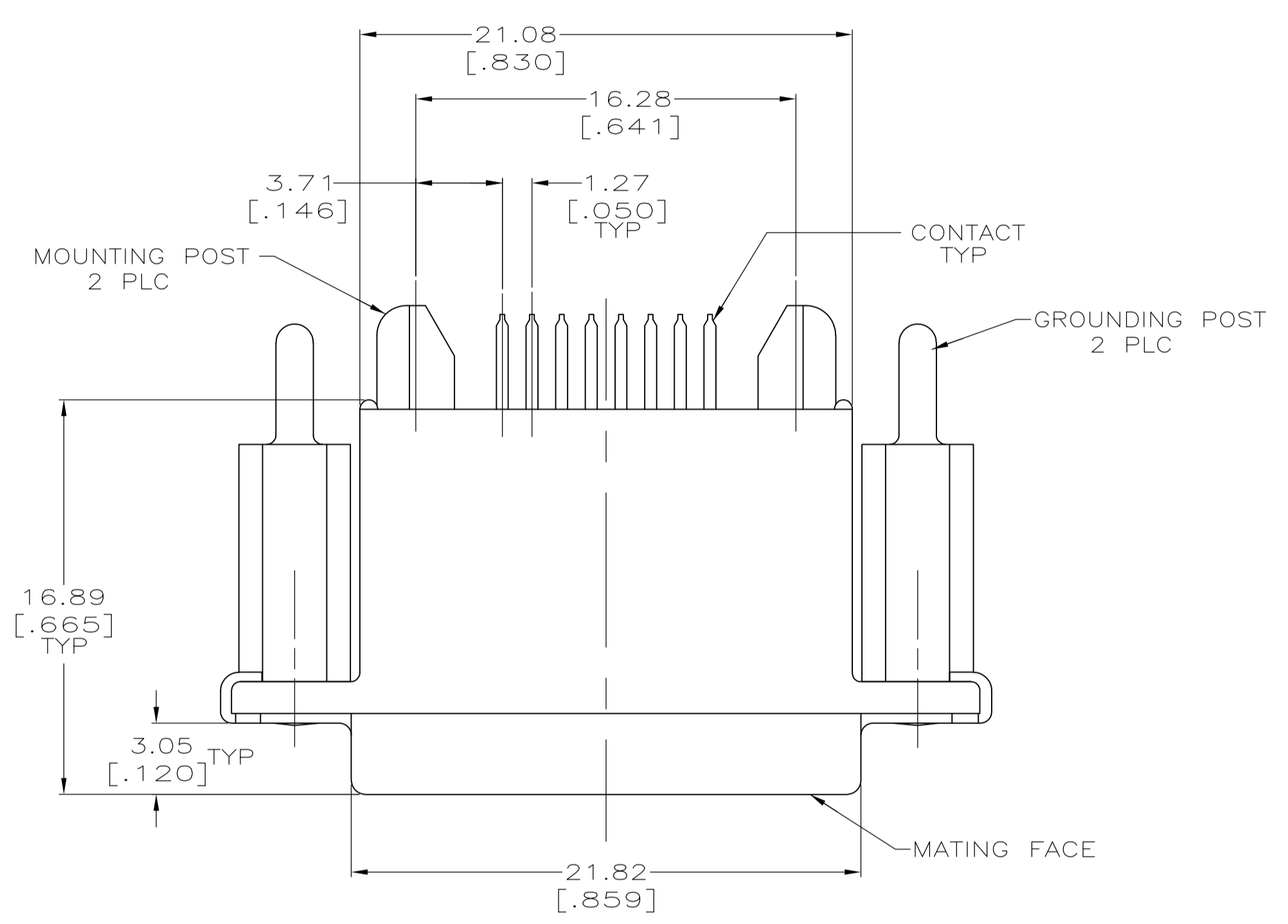


LOC		DIST		REVISIONS			
GP	00	PL	LYR	DESCRIPTION	DATE	DMN	APVD
C				REVISED PER ECO-11-019758	13FEB2012	CJV	CWR

- 1 HOUSING: POLYESTER, FLAME RETARDANT, UL 94V-0 RATED, GLASS FILLED, BLACK.  
SHIELD: BRASS.  
CONTACT: PHOSPHOR BRONZE.  
GROUNDING POST: ZINC, Z33521, RECTANGULAR.
- 2 SHIELD: 0.76µm [.000030] MIN BRIGHT TIN OVER 1.27µm [.000050] MIN NICKEL.  
CONTACT: 1.27µm [.000050] MIN GOLD ON MATING SURFACE FOR A LENGTH OF 2.54 [.100] MIN, 3.81µm [.000150] MIN MATTE TIN ON OPPOSITE END FOR A LENGTH OF 3.81 [.150] MIN, BOTH OVER 1.27µm [.000050] MIN NICKEL ON ENTIRE CONTACT.  
GROUNDING POST: .000150 MIN BRIGHT TIN OVER .000150 MIN NICKEL OVER .000100 MIN COPPER.
- 3 DIMENSION INDICATES CONTACT MATING AREA.
- 4 PLATING MEASUREMENT POINT.



8	1761196-1
NO OF POSN	PART NUMBER

THIS DRAWING IS A CONTROLLED DOCUMENT. DIMENSIONING AND TOLERANCING PER ASME Y14.5M-2009		DIN B MCMASTER 30APR04	STE TE Connectivity	
DIMENSIONS: mm [INCHES]		CJK C ROHDE 30APR04	NAME	
TOLERANCES UNLESS OTHERWISE SPECIFIED:		APVD M WALMSLEY 30APR04	PRODUCT SPEC	
0 PLC ± -	1 PLC ± -	108-2047		
2 PLC ± 0.38 [.015]	3 PLC ± -	APPLICATION SPEC		
4 PLC ± -	ANGLES ± -	114-2081	SIZE	CAGE CODE
MATERIAL	FINISH	WEIGHT	A1 00779	DRAWING NO
			C=1761196	RESTRICTED TO
		CUSTOMER DRAWING	SCALE 5:1	SHEET 1 OF 1

单击下面可查看定价，库存，交付和生命周期等信息

[>>TE Connectivity\(泰科\)](#)