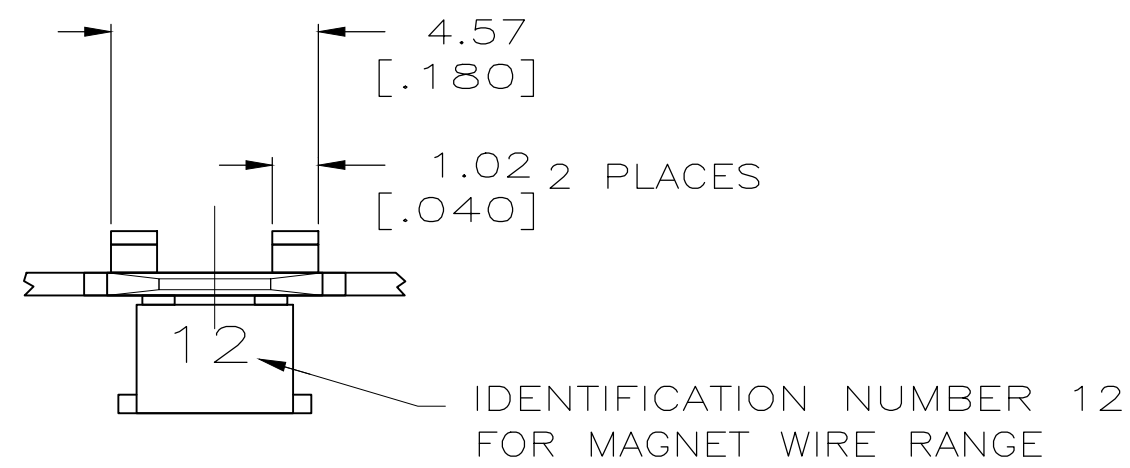
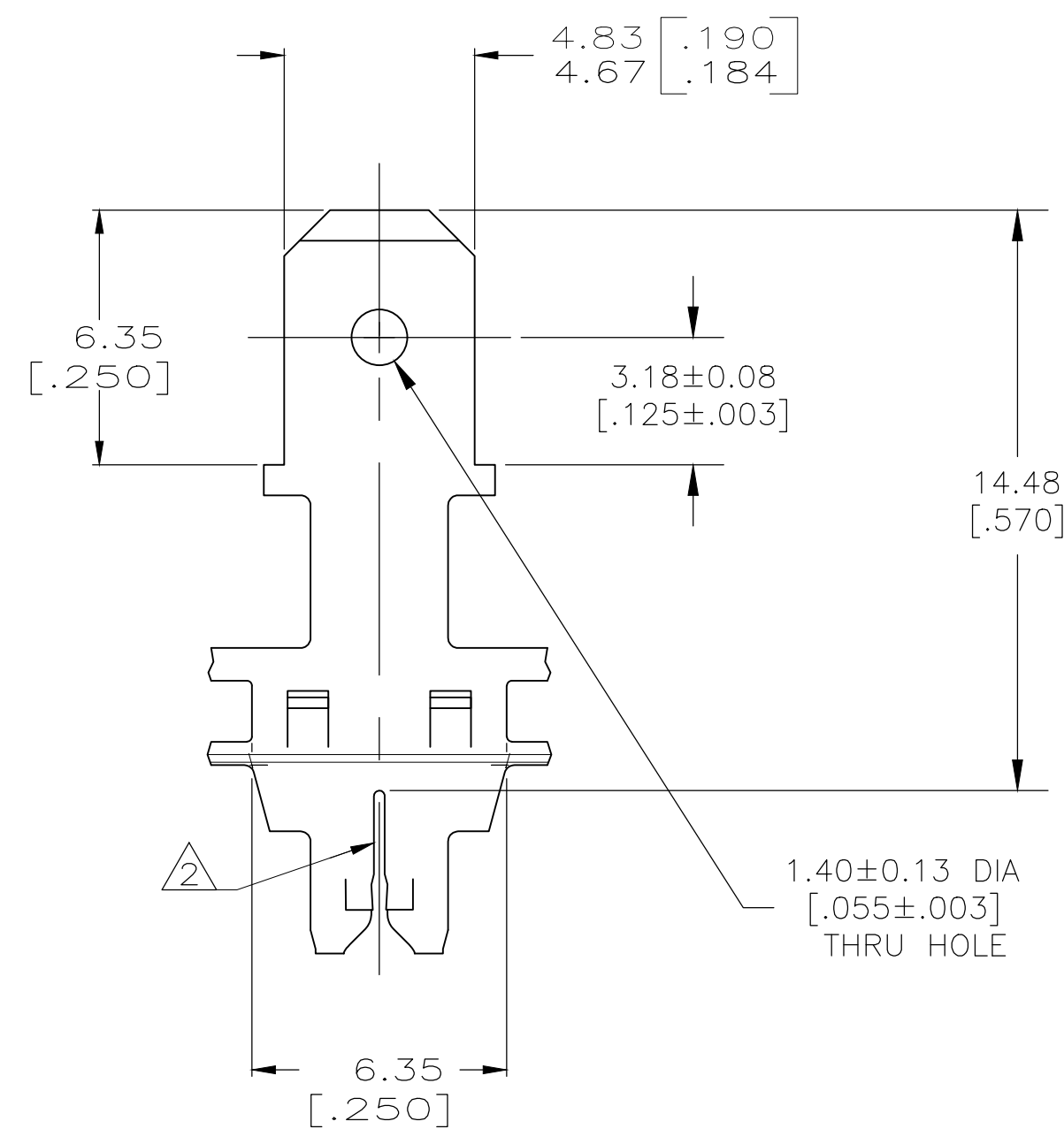
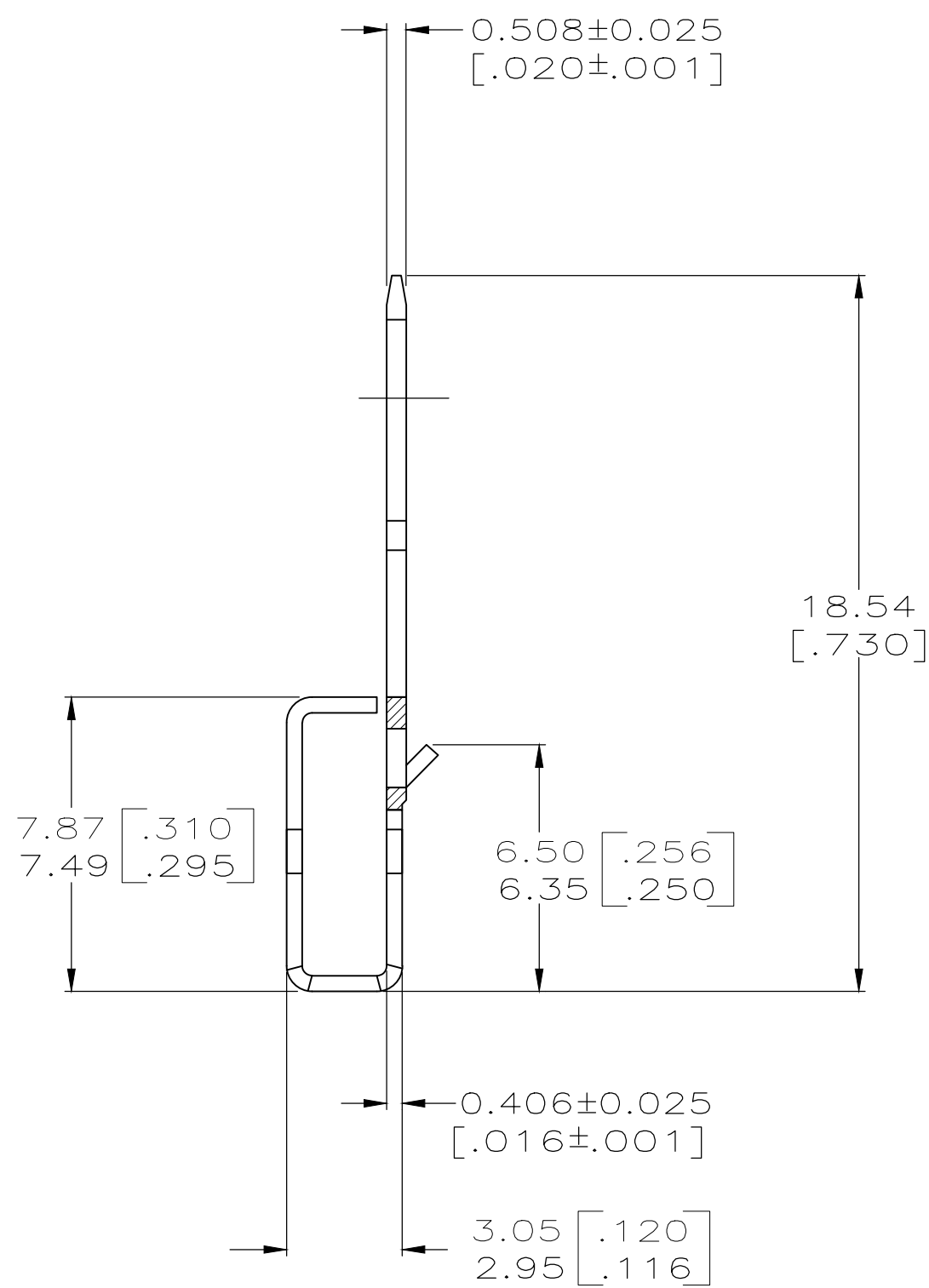
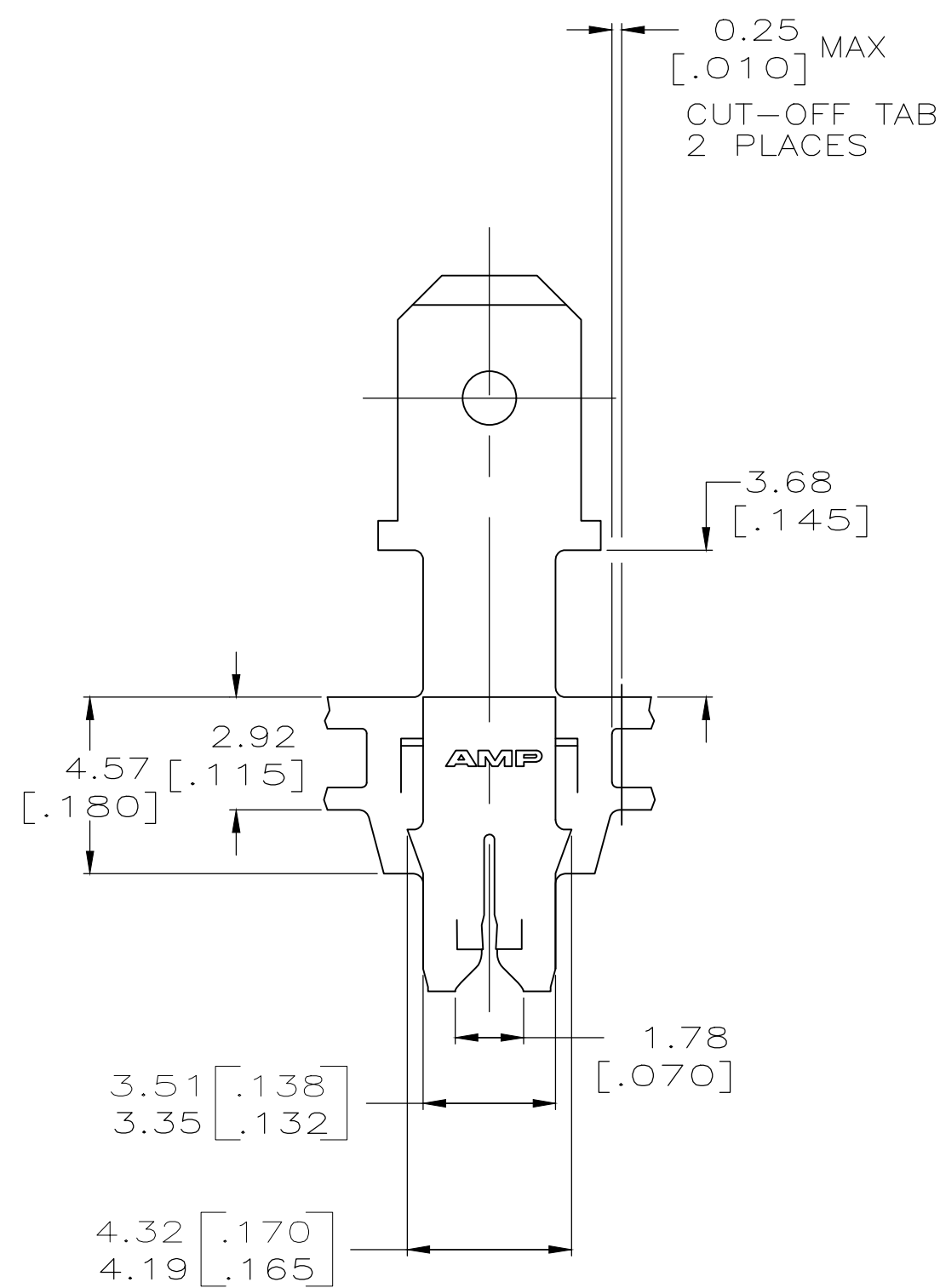


THIS DRAWING IS UNPUBLISHED. RELEASED FOR PUBLICATION
 © COPYRIGHT - By - ALL RIGHTS RESERVED.

LOC		DIST		REVISIONS			
P	LTR	DESCRIPTION		DATE	DWN	APVD	
AF	50	B2	REVISED PER ECR-18-009392		29MAR2019	BDA	SV



- 1 CONTINUOUS STRIP ON REELS WITH TERMINALS LOCATED ON 8.38±0.08 [.330±.003] CENTERS.
- 2 SLOTTED ACCEPTS 0.45-0.64mm [#25-#22] AWG COPPER MAGNET WIRE. TWO WIRES OF THE SAME SIZE PER SLOT EXCEPT 0.62mm [#22] AWG WHICH IS ONE WIRE ONLY. OR SLOT ACCEPTS SINGLE ALUMINIUM MAGNET WIRE 0.57-0.72mm [#23-#21] AWG ALUMINIUM WIRE RANGE IS APPLICABLE FOR POST TIN PLATED PART NOS ONLY



1217931-1
 PART NUMBER

THIS DRAWING IS A CONTROLLED DOCUMENT.		DWN	JR RUTH	13MAR03		TE Connectivity					
DIMENSIONS: mm [INCHES]		CHK	KURT A. RANDOLPH	13MAR03		NAME					
TOLERANCES UNLESS OTHERWISE SPECIFIED:		APVD	KURT A. RANDOLPH	13MAR03		PRODUCT SPEC					
0 PLC ± - 1 PLC ± - 2 PLC ± 0.25 [.010] 3 PLC ± - 4 PLC ± - ANGLES ± -		APPLICATION SPEC		108-2012		TAB, 4.75 [.187] FASTON,™					
MATERIAL		FINISH		WEIGHT		SIZE	CAGE CODE	DRAWING NO	RESTRICTED TO		
BRASS		TIN PLATE		-		A2	00779	C=1217931	-		
CUSTOMER DRAWING						SCALE	6:1	SHEET	1 OF 1	REV	B2

单击下面可查看定价，库存，交付和生命周期等信息

[>>TE Connectivity\(泰科\)](#)