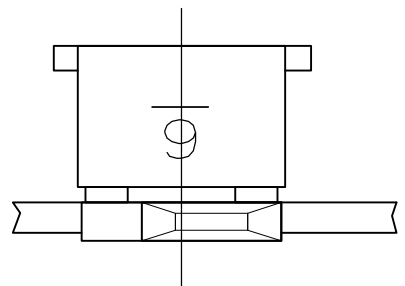
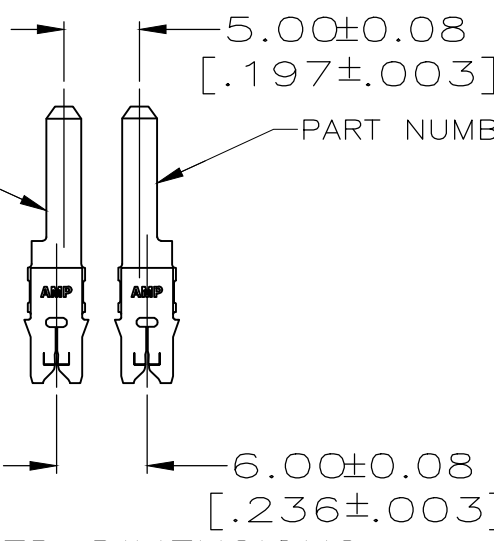


THIS DRAWING IS UNPUBLISHED. RELEASED FOR PUBLICATION  
 © COPYRIGHT - By - ALL RIGHTS RESERVED.

LOC		DIST		REVISIONS					
AF		50		P	LTR	DESCRIPTION	DATE	DWN	APVD
				D2		REVISED PER ECR-18-006427	10MAY2018	BW	SV

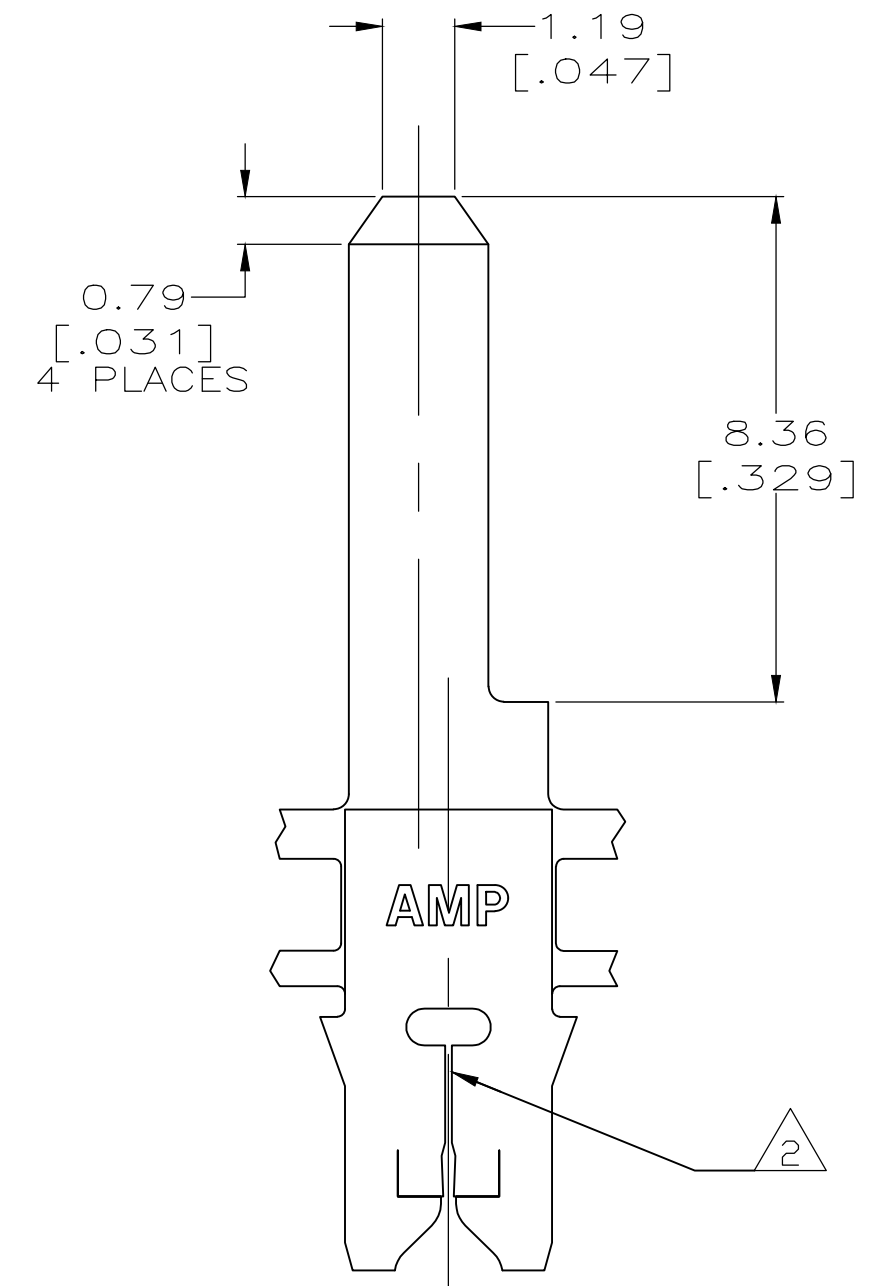
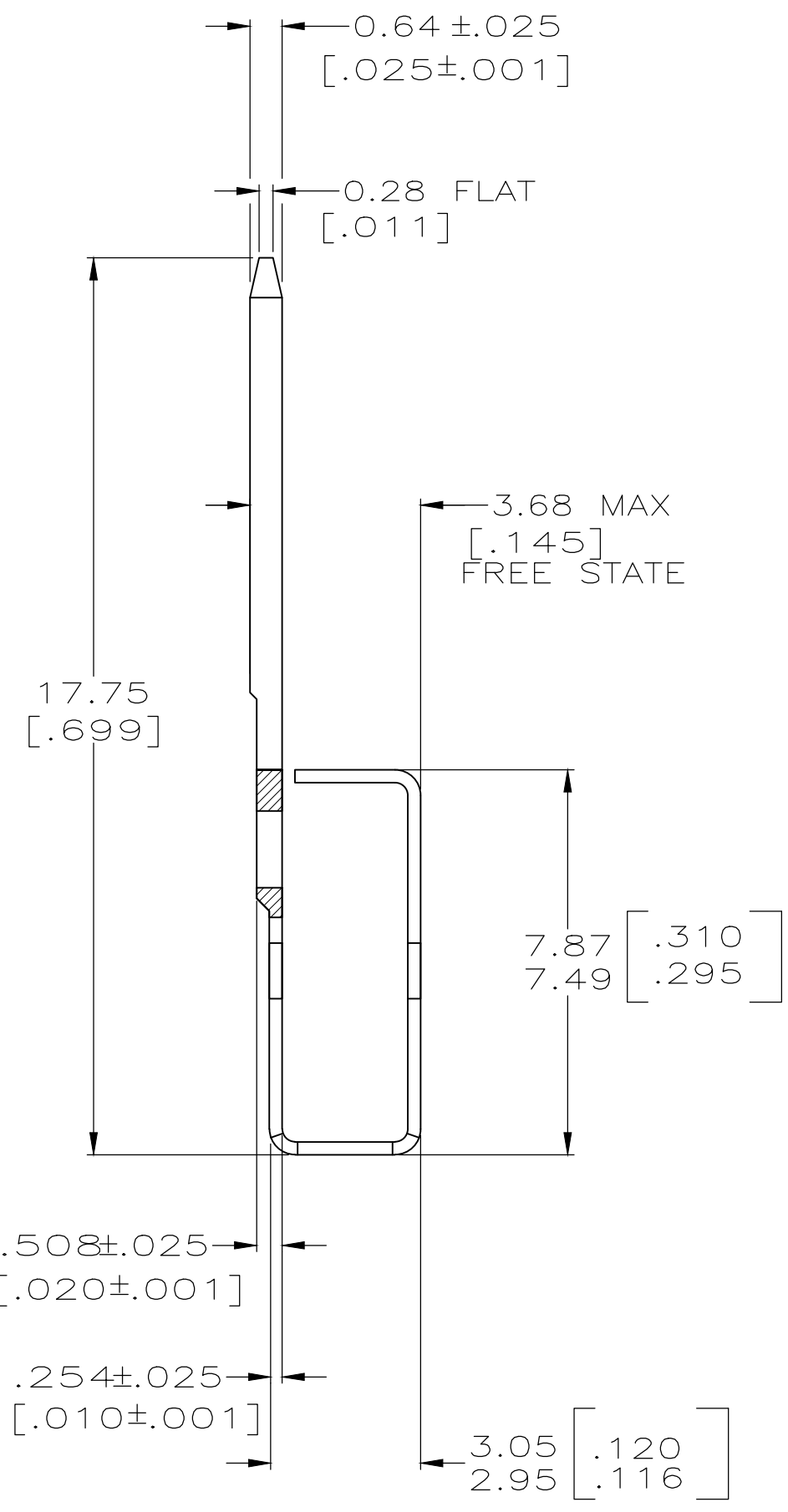
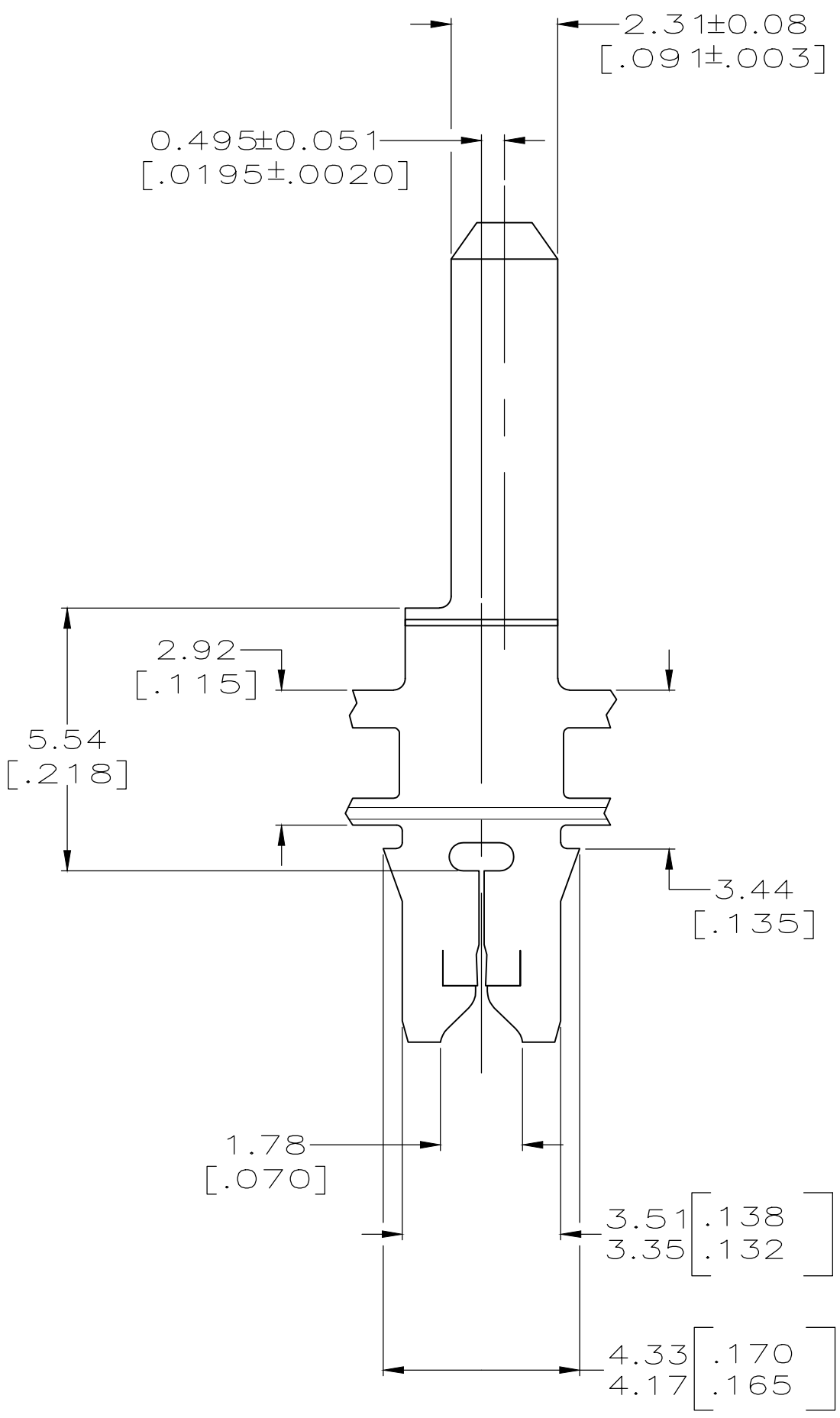


PART NUMBER 1217052-1 PART NUMBER 1217051-1



INSERTED DIMENSIONS  
SCALE 2:1

- 1 CONTINUOUS STRIP ON REELS WITH TERMINALS LOCATED ON 5.59±0.08 [.220±.003] CENTERS
- 2 SLOT TERMINATES EITHER A SINGLE OR DOUBLE MAGNET WIRE OF THE SAME TYPE AND SIZE, COPPER RANGE: 0.25-0.36mm [#30-#27] AWG. ALUMINIUM RANGE: 0.32-0.45mm [#28-#25] AWG. ALUMINIUM WIRE RANGE IS APPLICABLE FOR POST TIN PLATED PART NOS ONLY
- 3 SPECIAL PACKAGE MARKINGS- ORANGE COLOR CODE TAG NEXT TO REEL TAG



1217051-1  
PART NUMBER

THIS DRAWING IS A CONTROLLED DOCUMENT.		DWN	19JAN98	TE Connectivity TAB, 2.31 [.091], LEFT HAND, MAG-MATE		
DIMENSIONS:		CHK	20JAN98			NAME
INCHES		RICHARD GRZYBOWSKI				
TOLERANCES UNLESS OTHERWISE SPECIFIED:		APVD	21JAN98			PRODUCT SPEC
0 PLC	± -	NELSON E. NEFF		APPLICATION SPEC		
1 PLC	± -	108-2012		SIZE		
2 PLC	± 0.13 [.005]	114-2046		CAGE CODE		
3 PLC	± -	CUSTOMER DRAWING		DRAWING NO		
4 PLC	± -	SCALE 8:1		RESTRICTED TO		
ANGLES	± -	SHEET 1 OF 1		REV		
MATERIAL	FINISH	WEIGHT		D2		
BRASS	TIN PLATE	A2 00779 C=1217051				

单击下面可查看定价，库存，交付和生命周期等信息

[>>TE Connectivity\(泰科\)](#)