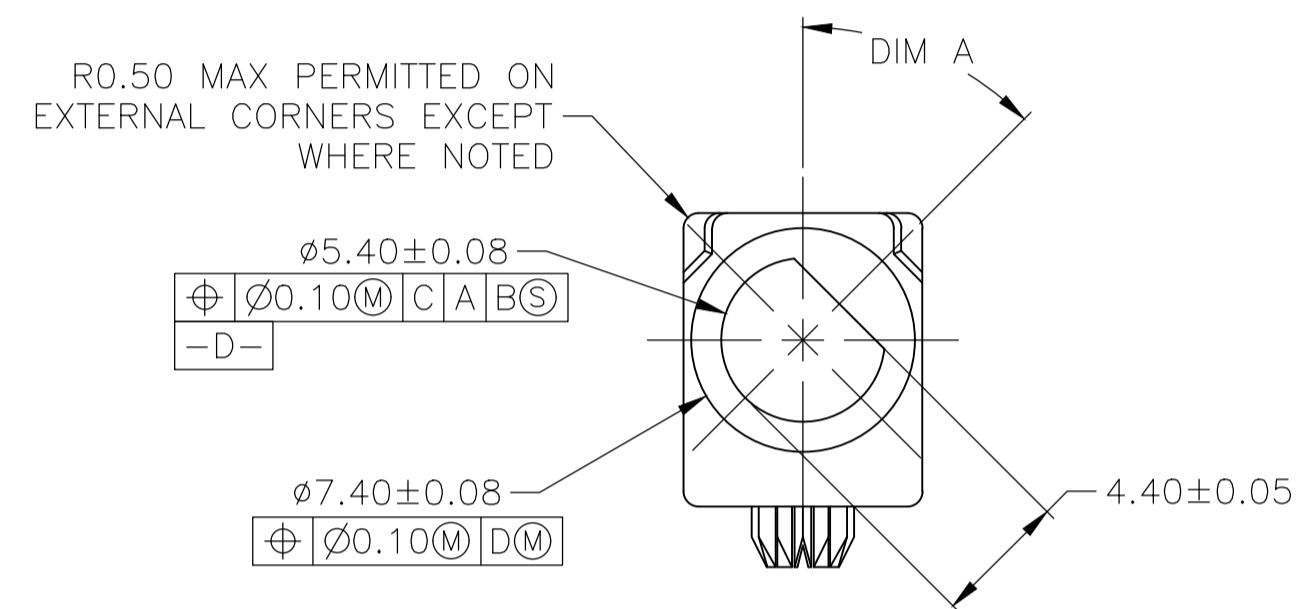
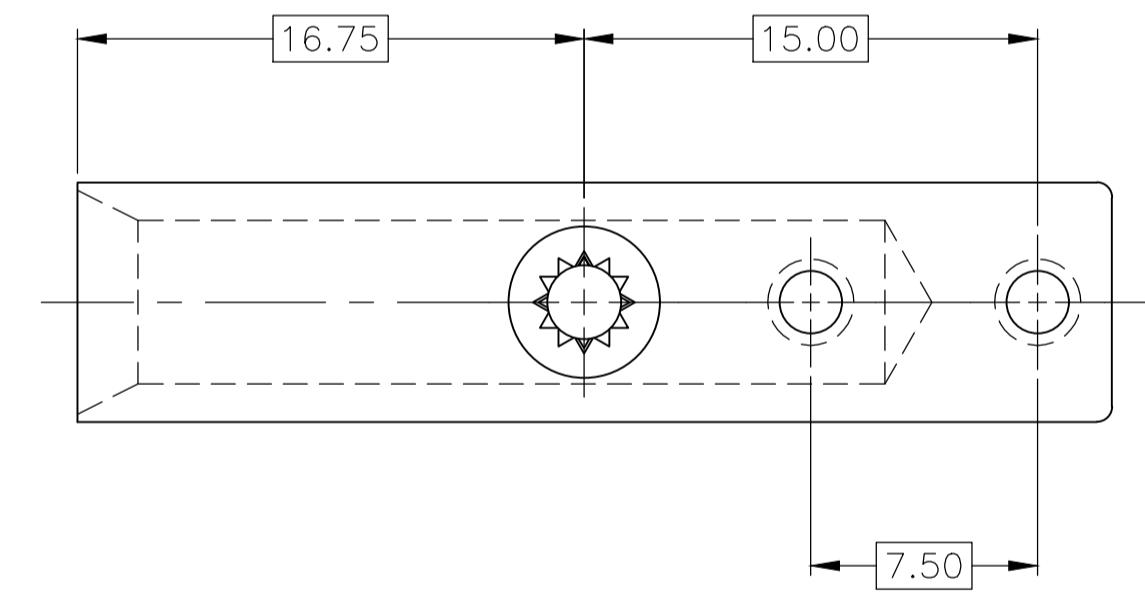
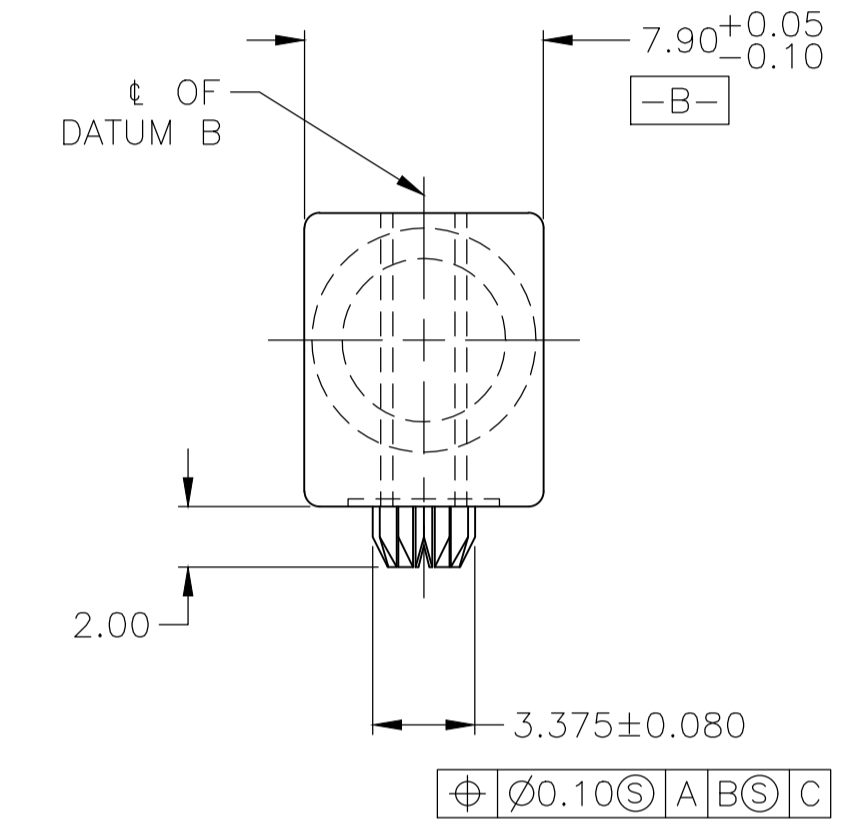
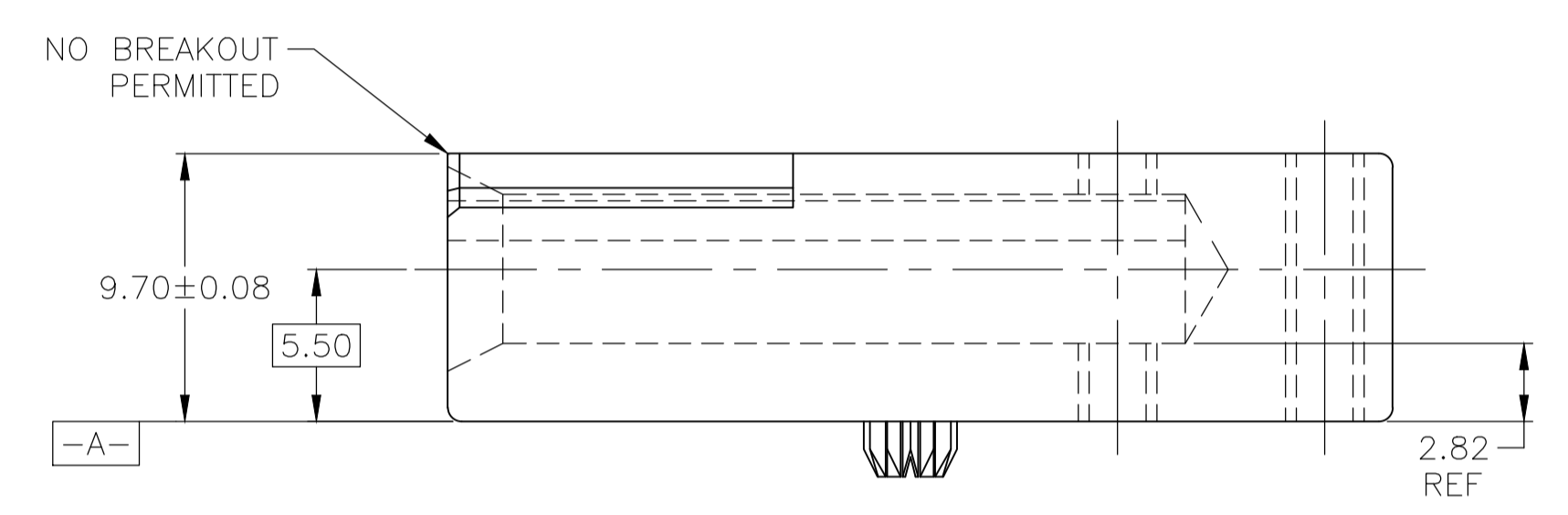


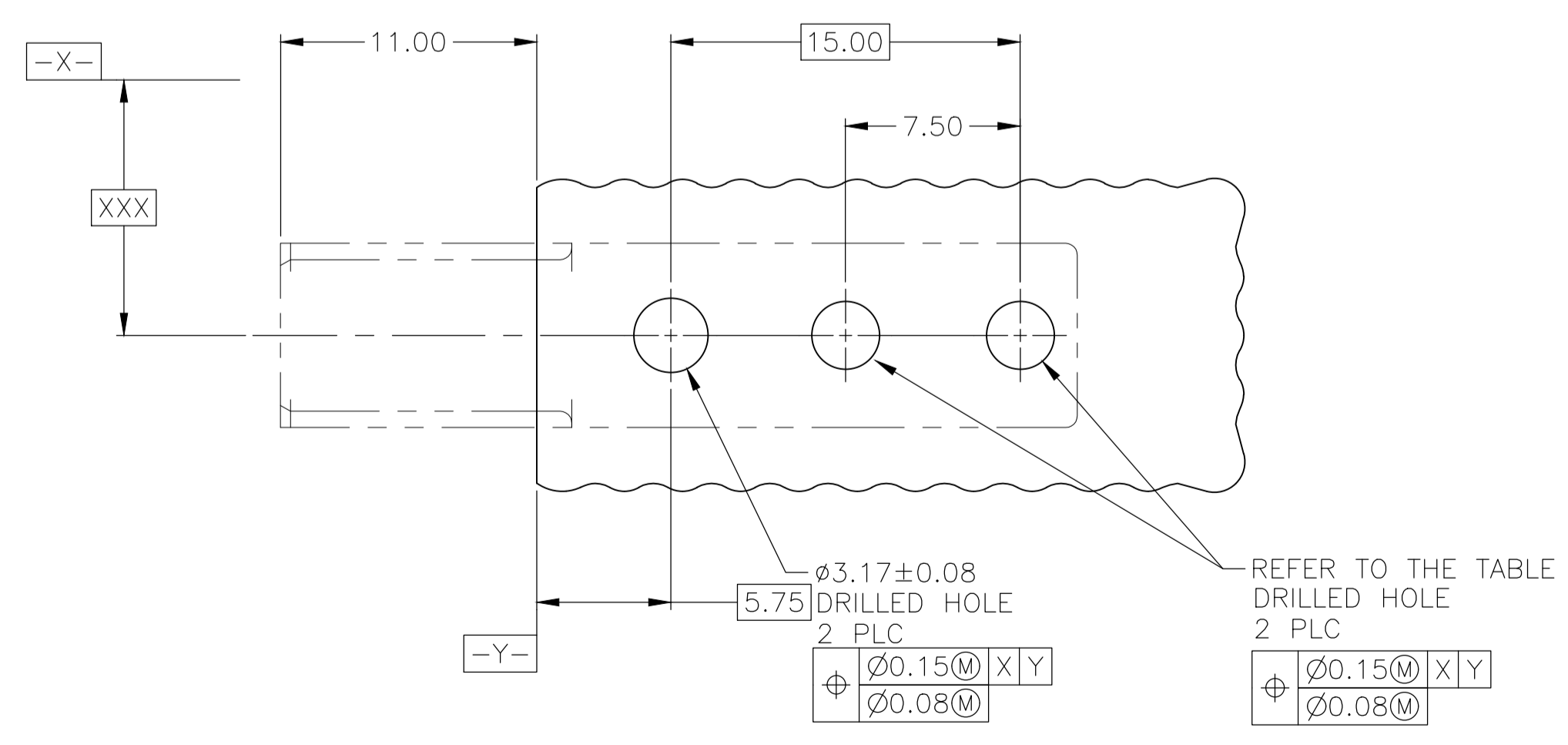
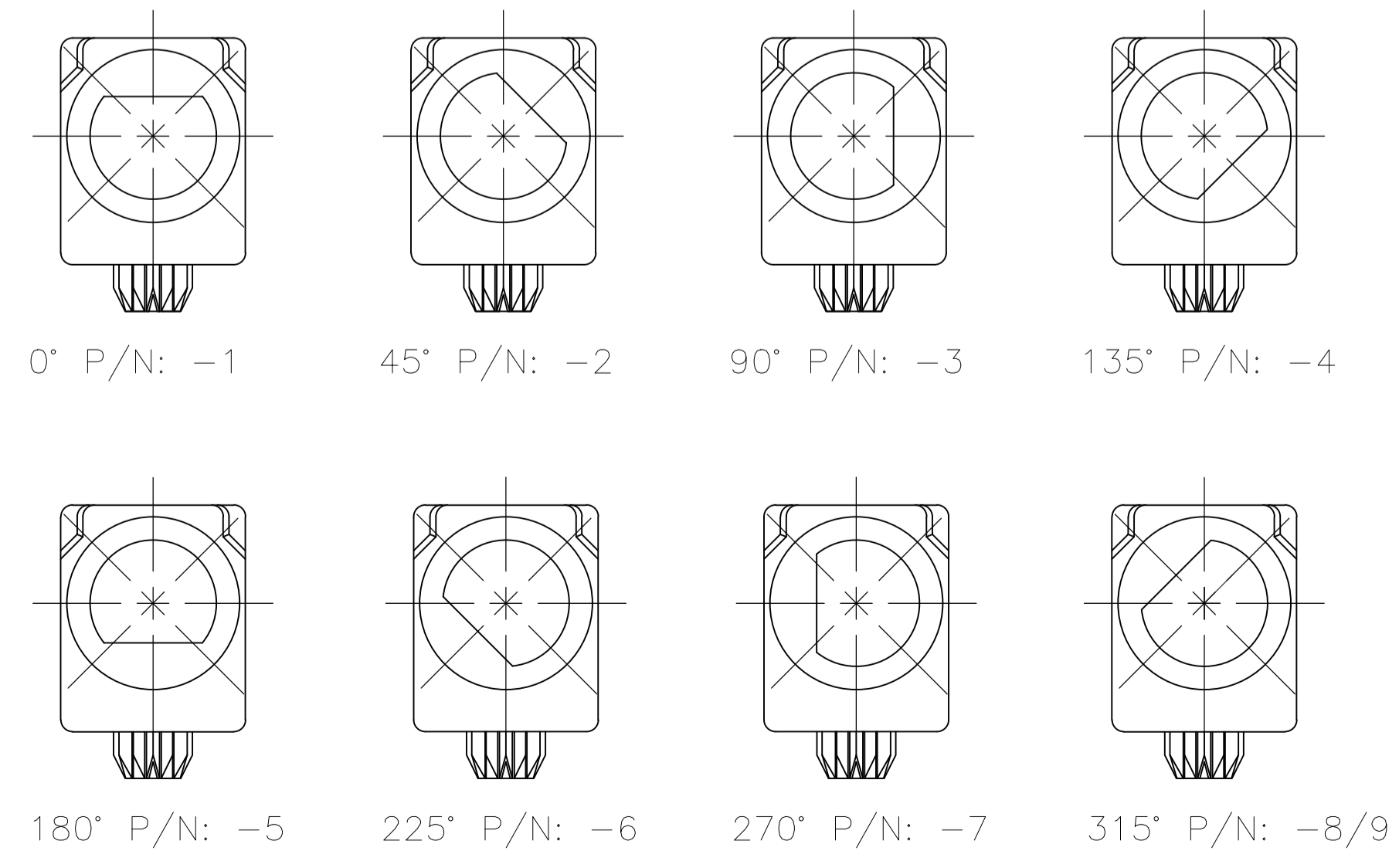
- 1 MATERIAL: ZINC ALLOY DIE CASTING.
- 2 SURFACE FINISH: CHROMATE CONVERSION COATING. (ROHS COMPATIBLE).



P/N 5120913-2 AS SHOWN



PRODUCT KEY FEATURE ANGLE VIEW



FOOT PRINT

| DRILLED HOLE | THREAD TYPE | KEYING POSN | DIM A | PART NUMBER |
|--------------|--------------|-------------|-------|-------------|
| Ø3.20±0.08 | M3x0.5-6H | 9 | 315° | 5120913-9 |
| Ø2.90±0.08 | M2.6x0.45-6H | 8 | 315° | 5120913-8 |
| Ø2.90±0.08 | M2.6x0.45-6H | 7 | 270° | 5120913-7 |
| Ø2.90±0.08 | M2.6x0.45-6H | 6 | 225° | 5120913-6 |
| Ø2.90±0.08 | M2.6x0.45-6H | 5 | 180° | 5120913-5 |
| Ø2.90±0.08 | M2.6x0.45-6H | 4 | 135° | 5120913-4 |
| Ø2.90±0.08 | M2.6x0.45-6H | 3 | 90° | 5120913-3 |
| Ø2.90±0.08 | M2.6x0.45-6H | 2 | 45° | 5120913-2 |
| Ø2.90±0.08 | M2.6x0.45-6H | 1 | 0° | 5120913-1 |

THIS DRAWING IS A CONTROLLED DOCUMENT.

| | | | | | |
|-------------|--|--------------|---------|--------------|---------|
| DIMENSIONS: | TOLERANCES UNLESS OTHERWISE SPECIFIED: | APPROVED: | DATE: | DESIGNED: | DATE: |
| MM | 0 PLC ± - | J. POLIGNONE | 05APR05 | R. PATTERSON | 05APR05 |
| | 1 PLC ± 0.2 | R. PATTERSON | | R. PATTERSON | |
| | 2 PLC ± 0.15 | | | | |
| | 3 PLC ± - | | | | |
| | 4 PLC ± - | | | | |
| | ANGLES ± 5° | | | | |

MATERIAL: 1 FINISH: 2

| | |
|-------------------|---|
| NAME: | GUIDE SOCKET MODULE, FEMALE, UNIVERSAL POWER MODULE |
| SIZE: | A1 |
| CAGE CODE: | 00779 |
| DRAWING NO: | 5120913 |
| RESTRICTED TO: | |
| CUSTOMER DRAWING: | SCALE: 4:1 SHEET: 1 OF 1 REV: A4 |

单击下面可查看定价，库存，交付和生命周期等信息

[>>TE Connectivity\(泰科\)](#)