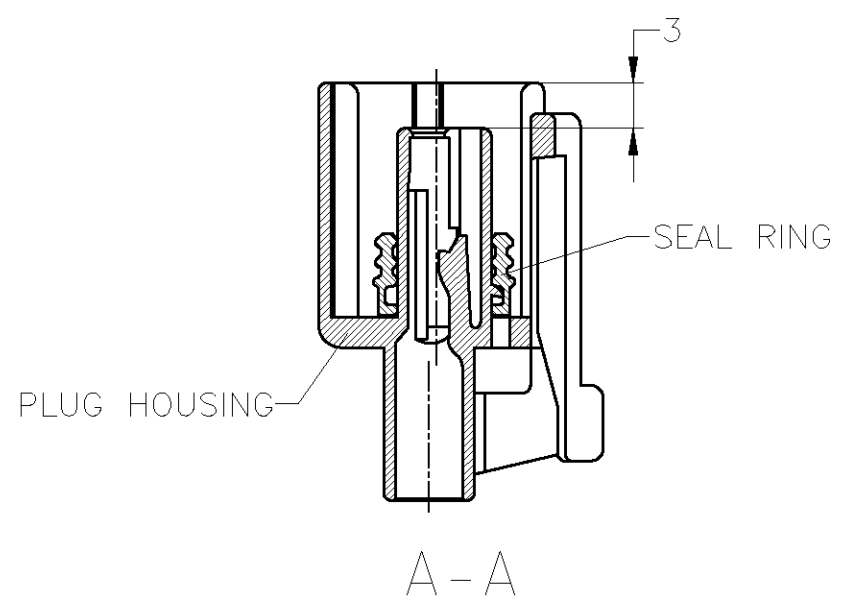
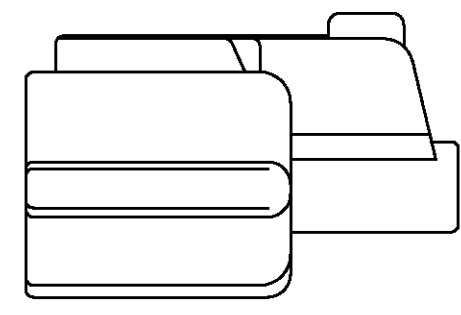
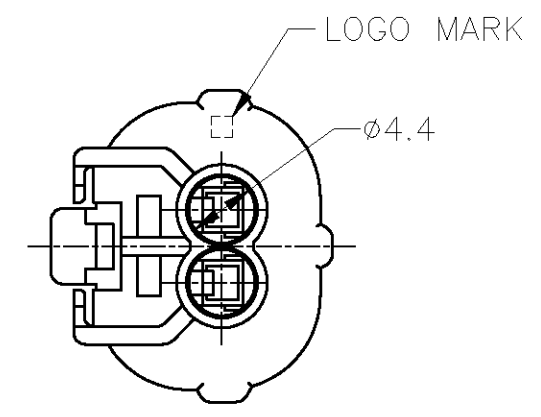
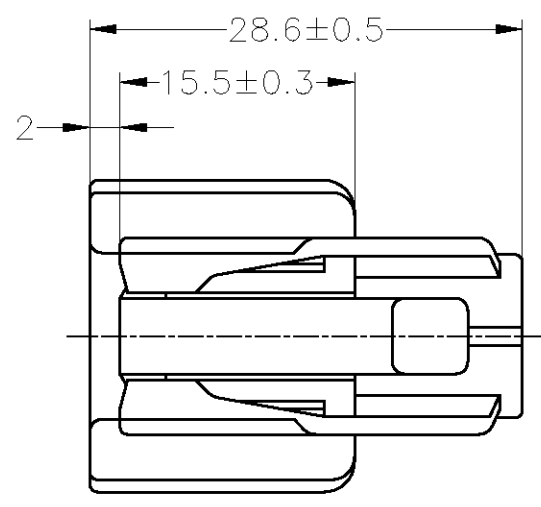
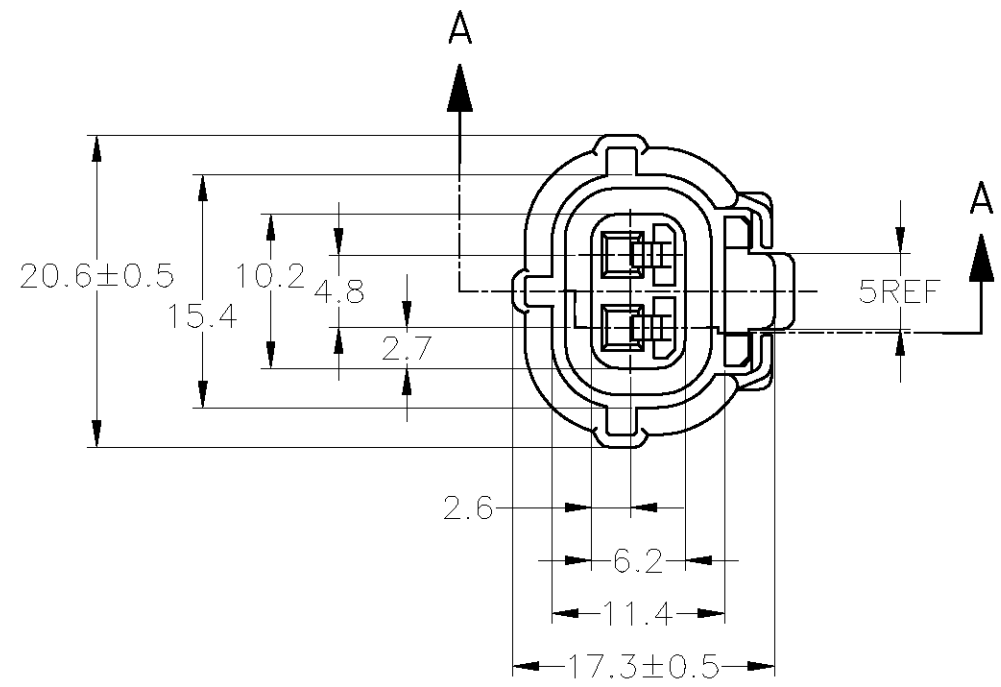


THIS DRAWING IS UNPUBLISHED. RELEASED FOR PUBLICATION
 © COPYRIGHT - By Tyco Electronics JAPAN G.K. ALL RIGHTS RESERVED.

LOC	DIST	REVISIONS			
P	LTR	DESCRIPTION	DATE	DWN	APVD
J	-	01 REDRAWN W/CHANGE	ECR-12-005049	19MAR2012	TS KB



1. 嵌合相手型番：173063
 2. 適用端子：171630, 171662
 3. 本品はプラグハウジング単体にシールリングがアッセンブリされたものである。
 4. 製品規格：108-5179
-
1. CAP HOUSING TO BE MATED: 173063
 2. APPLIED TERMINAL: 171630, 171662
 3. THIS PART IS COMPOSED OF PLUG HOUSING AND SEAL RING
 4. PRODUCT SPECIFICATION: 108-5179

BLACK	173090-2
COLOR	PART NUMBER

TOLERANCES UNLESS OTHERWISE SPECIFIED:

10 ≥	: ±0.2
30 ≥ > 10	: ±0.25
100 ≥ > 30	: ±0.3
ANGLE : ±3°	

THIS DRAWING IS A CONTROLLED DOCUMENT.		DWN T.SHINOHARA 19MAR2012	STE TE Connectivity	
DIMENSIONS: mm		CHK K.BETSUI 19MAR2012		
TOLERANCES UNLESS OTHERWISE SPECIFIED:		APVD K.BETSUI 19MAR2012	NAME	
0 PLC ± -		PRODUCT SPEC		2 POSITION PLUG HOUSING 070 SERIES ECONOSEAL J-II
1 PLC ± -		108-5179		
2 PLC ± -		APPLICATION SPEC		SIZE CAGE CODE DRAWING NO RESTRICTED TO
3 PLC ± -		-		A3 00779 C-173090
4 PLC ± -		WEIGHT -		SCALE 2:1 SHEET 1 OF 1 REV 01
ANGLES ± -		CUSTOMER DRAWING		
FINISH -		MATERIAL PBT		

单击下面可查看定价，库存，交付和生命周期等信息

[>>TE Connectivity\(泰科\)](#)