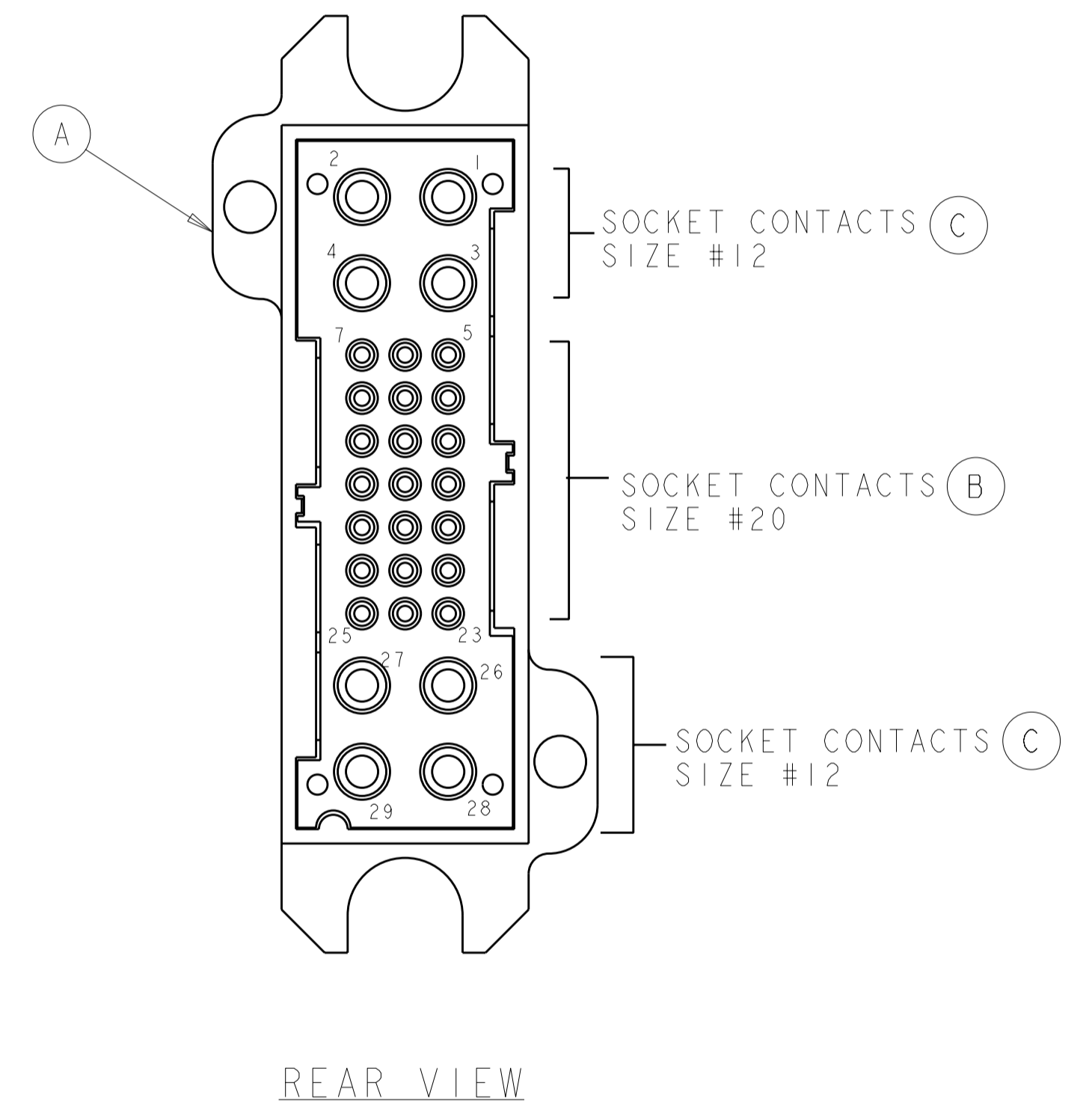
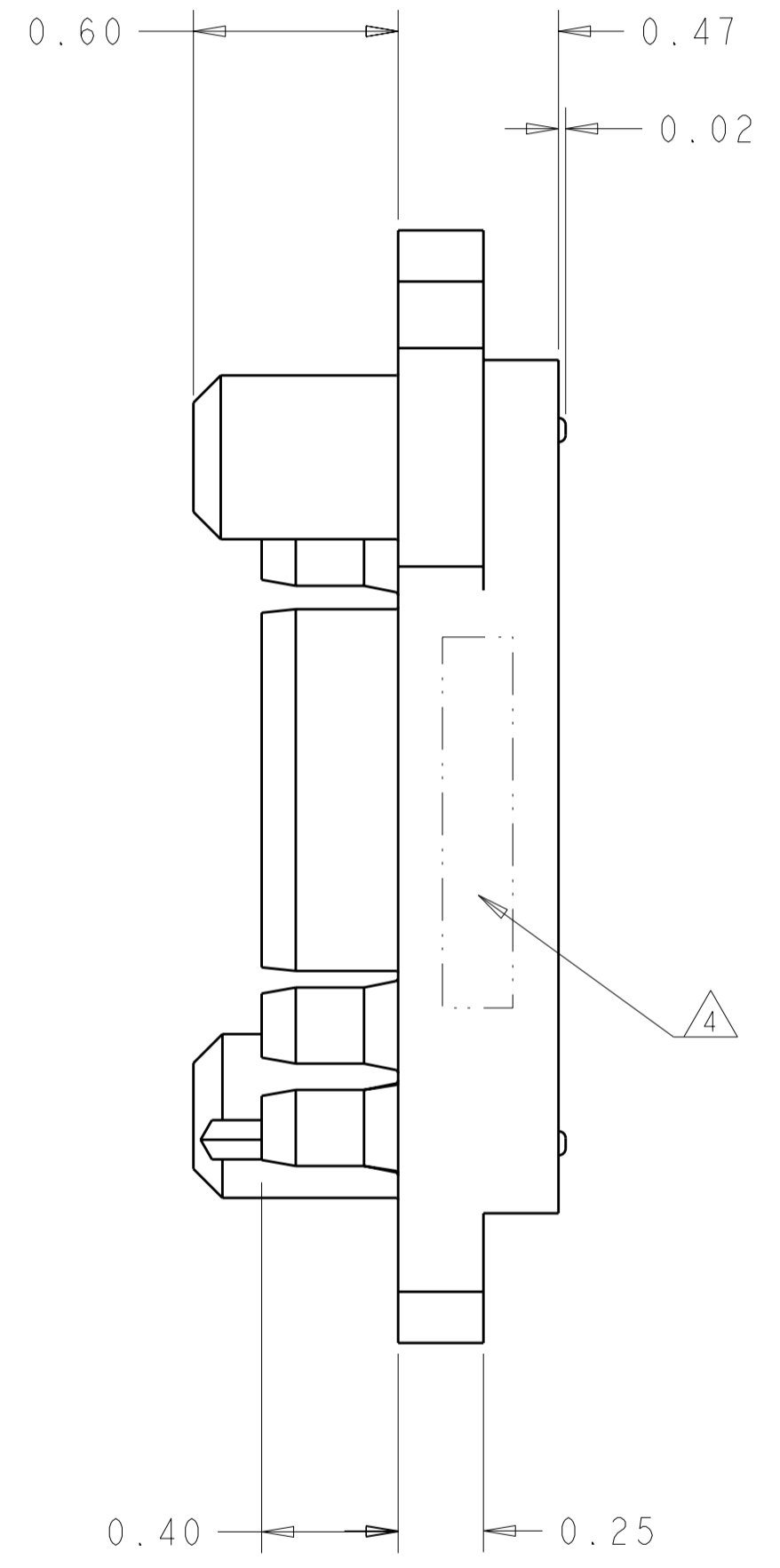
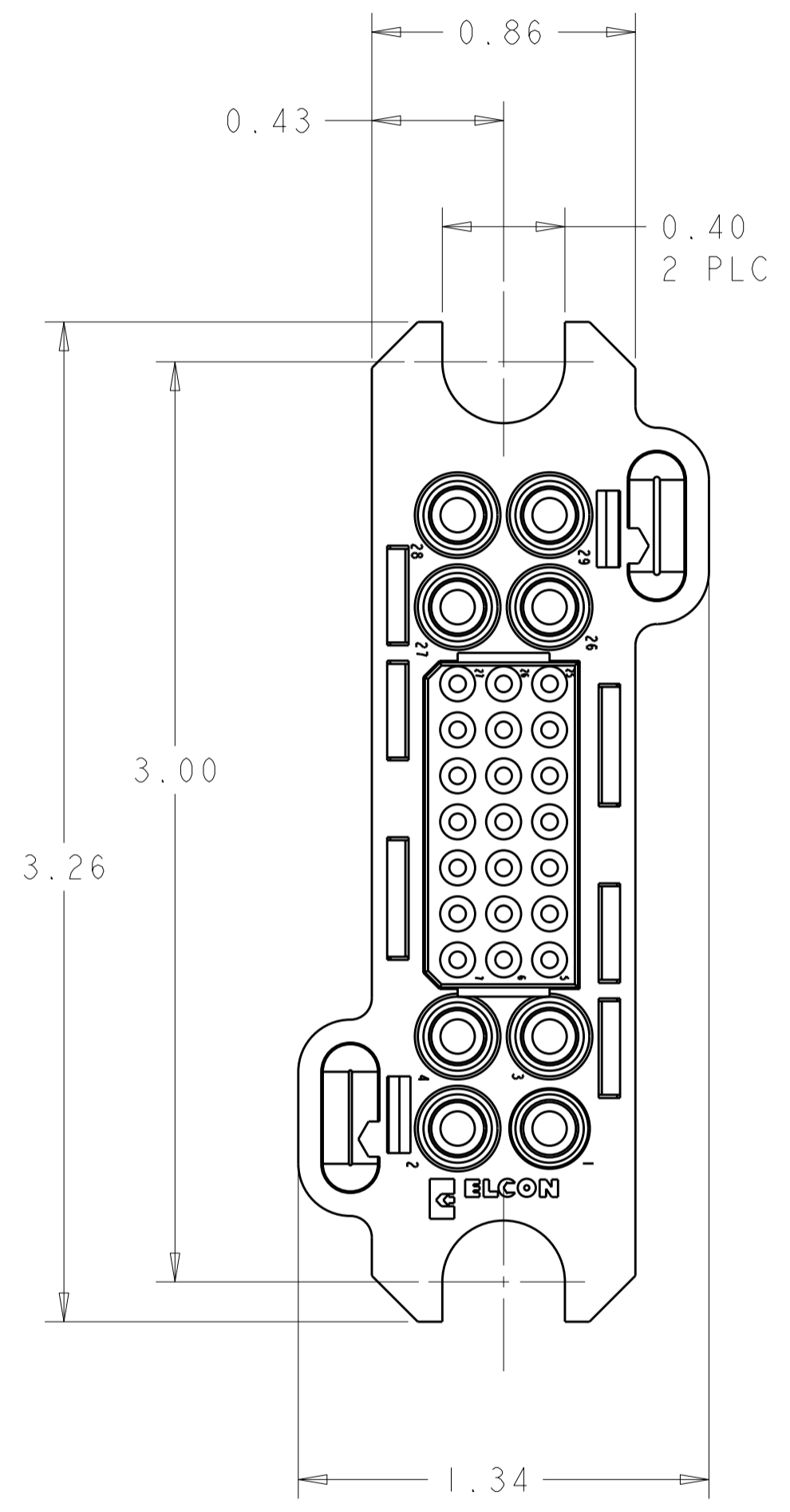


THIS DRAWING IS UNPUBLISHED. RELEASED FOR PUBLICATION 20
 © COPYRIGHT 20 BY TYCO ELECTRONICS CORPORATION. ALL RIGHTS RESERVED.

LOC		DIST		REVISIONS			
P	LTR	DESCRIPTION	DATE	DWN	APVD		
	A	RELEASED	08MAY2008	RG	DO		

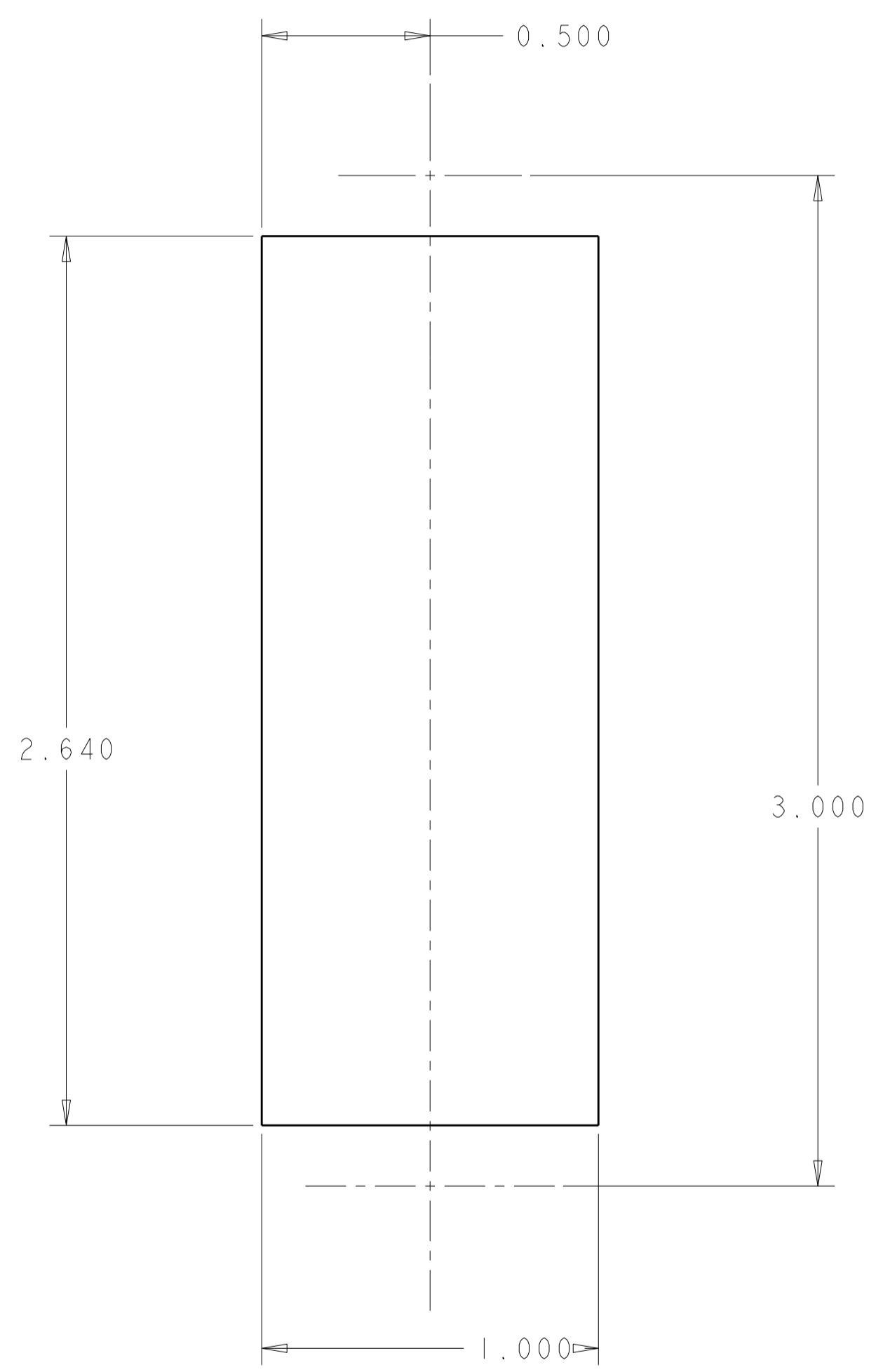


ELCON LOWER DRAWER

<small>THIS DRAWING IS A CONTROLLED DOCUMENT FOR TYCO ELECTRONICS CORPORATION. IT IS SUBJECT TO CHANGE AND THE CONTROLLING ENGINEERING ORGANIZATION SHOULD BE CONTACTED FOR THE LATEST REVISION.</small>		DWN R. GRZYBOWSKI IMAY08 CHK D. ORRIS IMAY08 APVD S. FLICKINGER IMAY08	Tyco Electronics Harrisburg, PA 17105-3608
DIMENSIONS: INCHES	TOLERANCES UNLESS OTHERWISE SPECIFIED: 0 PLC ± 1 PLC ± 2 PLC ±.02 3 PLC ±.010 4 PLC ± ANGLES ±.5 FINISH	PRODUCT SPEC APPLICATION SPEC WEIGHT CUSTOMER DRAWING	NAME CONNCTOR ASSEMBLY SOCKET LOWER DRAWER SIZE CAGE CODE DRAWING NO RESTRICTED TO A200779 C-1926838 -
		SCALE 3:1	SHEET 1 OF 2 REV A

THIS DRAWING IS UNPUBLISHED. RELEASED FOR PUBLICATION 20
 © COPYRIGHT 20 BY TYCO ELECTRONICS CORPORATION. ALL RIGHTS RESERVED.

LOC	DIST	REVISIONS					
GP	00	P	LTR	DESCRIPTION	DATE	DWN	APVD
		-		SEE SHEET 1			



SUGGESTED PANEL CUTOUT
 VIEW FROM CONNECTOR MOUNTING SIDE

- PART NUMBER CHANGES AND OR DESIGN CHANGES AFFECTING THE INTERCHANGEABILITY REQUIRE PRIOR TYCO ELECTRONICS APPROVAL AND AUTHORIZATION BY REVISION TO THIS DRAWING.
- MATERIAL:
 INSULATOR: THERMOPLASTIC, GLASS REINFORCED, UL 94V-0
 FLAMMABILITY RATED, COLOR: BLACK
 CONTACT: COPPER ALLOY
 CROWN BAND: BERYLLIUM COPPER
 RETENTION CLIP: BERYLLIUM COPPER OR STAINLESS STEEL
 SHOULDER SCREWS: STAINLESS STEEL
- FINISH:
 CONTACTS SIZE #12 BODY : SILVER .000200 MIN THK.
 OVER NICKEL .00040 MIN THK.
 CONTACTS SIZE #20 BODY : GOLD .000010 MIN THK.
 OVER NICKEL .00040 MIN THK.
 CROWN BAND CONTACT: GOLD .000030 MIN THK.
 OVER NICKEL .00040 MIN THK.

△4 ITEMS PROVIDED TO THIS SPECIFICATION TO BE PERMANENTLY IDENTIFIED PER THE FOLLOWING IDENTIFIER:
 YEAR 11 WEEK 11
 TYCO ELECTRONICS P/N DATE CODE (e.g. 0216)
 XXXXXXXX-X XXXX

△5 CRIMP CONTACTS AND SHOULDER SCREWS (ITEMS B THRU D) SHALL BE PACKAGED SEPARATELY AND PLACED IN THE BOX WITH THE CONNECTOR ASSEMBLY.

△5	2	1650589-1	FLOAT MOUNT SHOULDER SCREW, M4 X 0.7 THD	D
△5	7	6648318-1	CONTACT, SOCKET, #12, CRIMP	C
△5	7	1648325-1	CONTACT, SOCKET, #20, CRIMP	B
	1	1648206-2	HOUSING, SOCKET, FLOAT MOUNT	A
	-1	PART NUMBER	DESCRIPTION	ITEM

ELCON LOWER DRAWER

THIS DRAWING IS A CONTROLLED DOCUMENT FOR TYCO ELECTRONICS CORPORATION IT IS SUBJECT TO CHANGE AND THE CONTROLLING ENGINEERING ORGANIZATION SHOULD BE CONTACTED FOR THE LATEST REVISION.		DWN R. GRZYBOWSKI IMAY08 CHK D. ORRIS IMAY08 APVD S. FLICKINGER IMAY08	Tyco Electronics Harrisburg, PA 17105-3608
DIMENSIONS: INCHES 	TOLERANCES UNLESS OTHERWISE SPECIFIED: 0 PLC ± 1 PLC ±.02 2 PLC ±.02 3 PLC ±.010 4 PLC ± ANGLES ±.5 FINISH	PRODUCT SPEC APPLICATION SPEC WEIGHT	NAME CONNECTOR ASSEMBLY SOCKET LOWER DRAWER SIZE CAGE CODE DRAWING NO RESTRICTED TO A200779G-1926838 -
MATERIAL		CUSTOMER DRAWING	SCALE 3:1 SHEET 2 OF 2 REV A

单击下面可查看定价，库存，交付和生命周期等信息

[>>TE Connectivity\(泰科\)](#)