

4

3

2


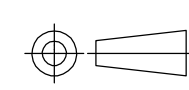
1

THIS DRAWING IS UNPUBLISHED. RELEASED FOR PUBLICATION
 © COPYRIGHT - BY TYCO ELECTRONICS CORPORATION. ALL RIGHTS RESERVED.

LOC	DIST	REVISIONS					
AJ	16	P	LTR	DESCRIPTION	DATE	DWN	APVD
		D		REVISED PER EC OS14-0499-04	11JULY05	BM	JL

	RG-58/U	-	226599-2	-	-	228905-2	414046-6
	RG-188/U	-	2-328666-5	980506-1	228575-2	228905-5	414046-5
OBSOLETE	RG-188/U	-	2-328666-5	980506-1	228575-2	228905-4	414046-4
	RG-188/U	-	2-328666-5	413770-2	228575-2	228905-3	414046-3
	RG-188/U	-	9-328666-0	980506-1	228575-2	228905-3	414046-2
	RG-58/U	228906-1	226599-2	980506-1	228575-2	228905-2	414046-1
	FOR USE WITH CABLE	⑤ GASKET QTY=1	④ FERRULE QTY=1	③ LOCKWASHER QTY=1	② JAM NUT QTY=1	① JACK ASSY, BHD,UHF QTY=1	PART NO

THIS DRAWING IS A CONTROLLED DOCUMENT.

DIMENSIONS: INCHES	TOLERANCES UNLESS OTHERWISE SPECIFIED:	DWN M. SNEED 11-28-90	 Tyco Electronics Corporation Harrisburg, Pa 17105-3608
	0 PLC ± - 1 PLC ± - 2 PLC ± - 3 PLC ± - 4 PLC ± - ANGLES ± -	CHK R. HENRY 12-4-90 APVD R. HENRY 12-4-90	
MATERIAL	FINISH	PRODUCT SPEC	NAME JACK KIT,BHD,MIN UHF
-	-	APPLICATION SPEC	SIZE CAGE CODE DRAWING NO RESTRICTED TO
		WEIGHT	A3 00779 C-414046 -
CUSTOMER DRAWING		SCALE 1:1	SHEET 1 OF 1 REV D

单击下面可查看定价，库存，交付和生命周期等信息

[>>TE Connectivity\(泰科\)](#)