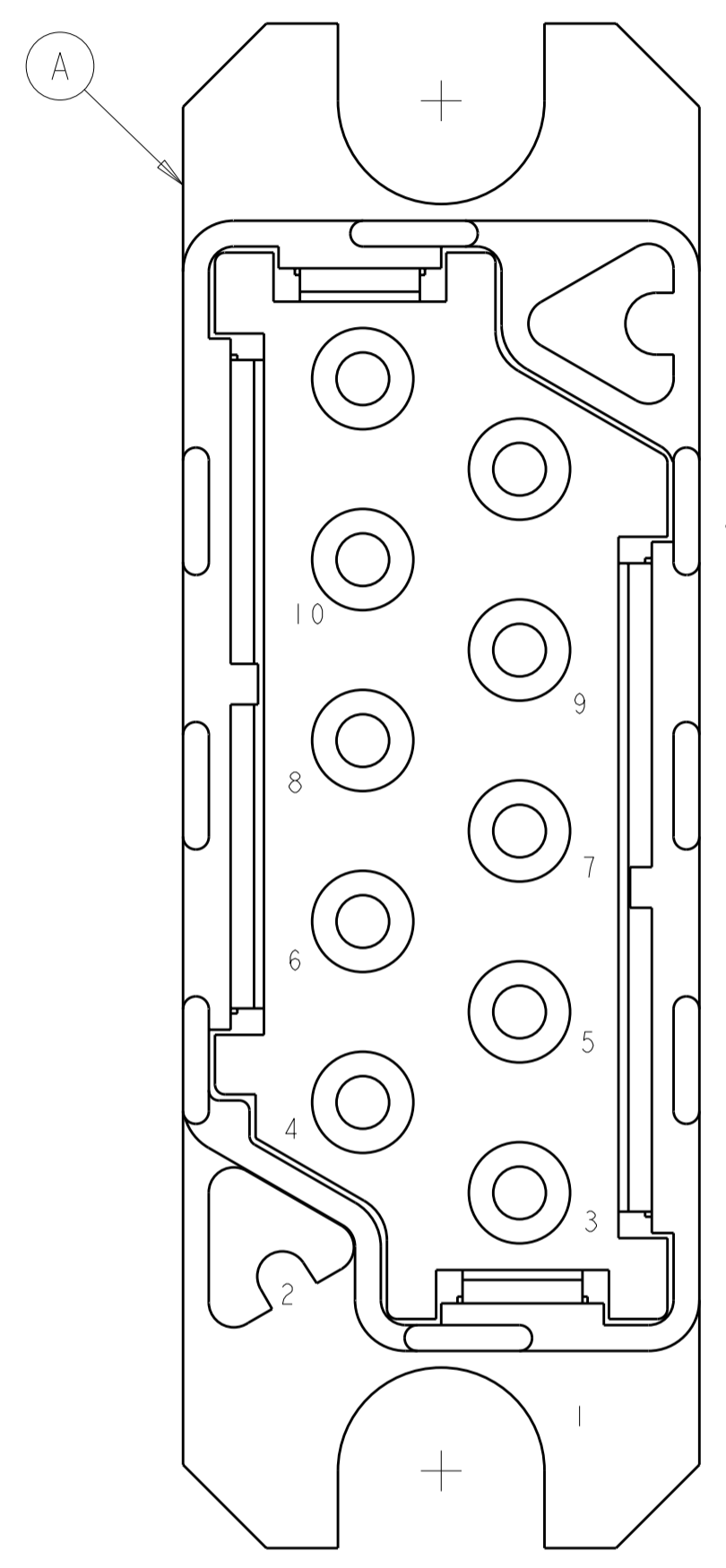
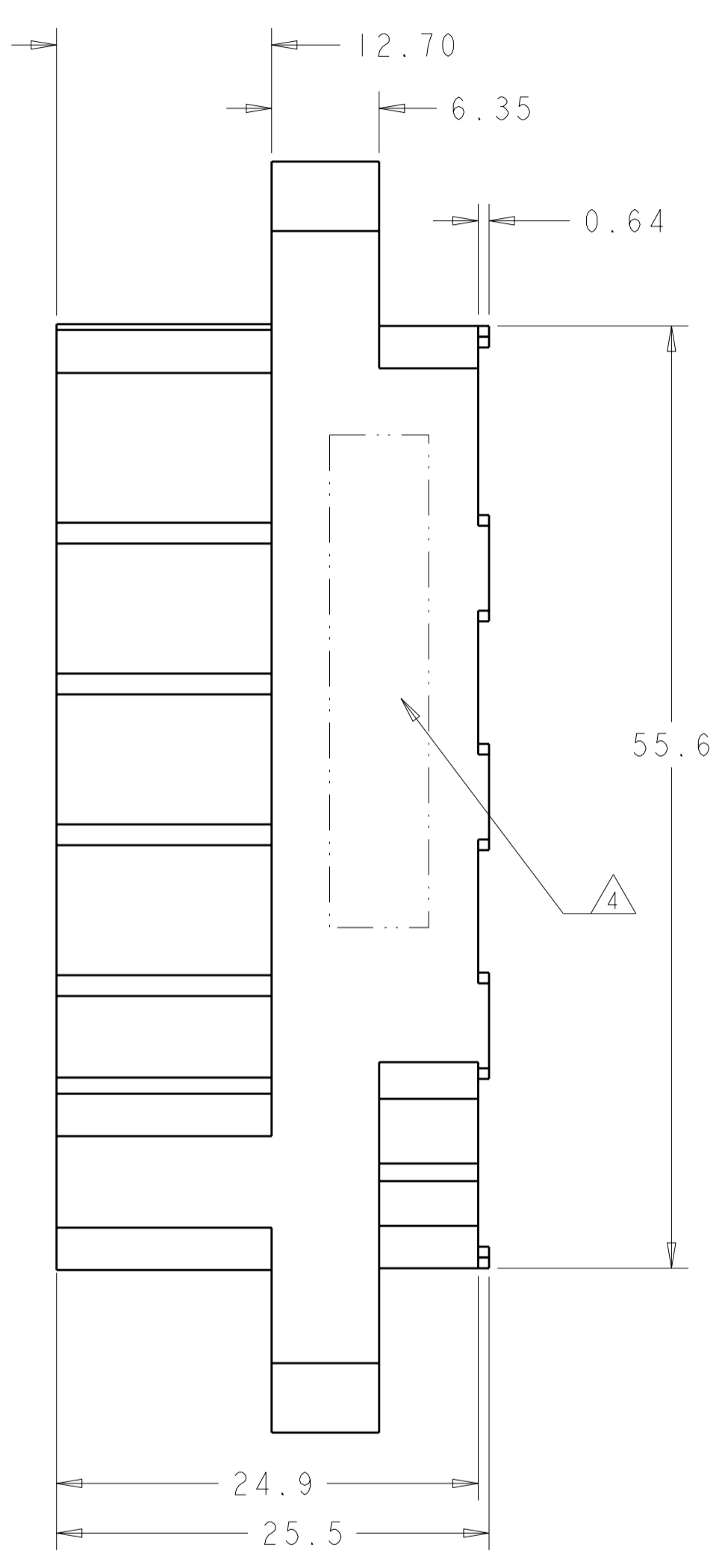
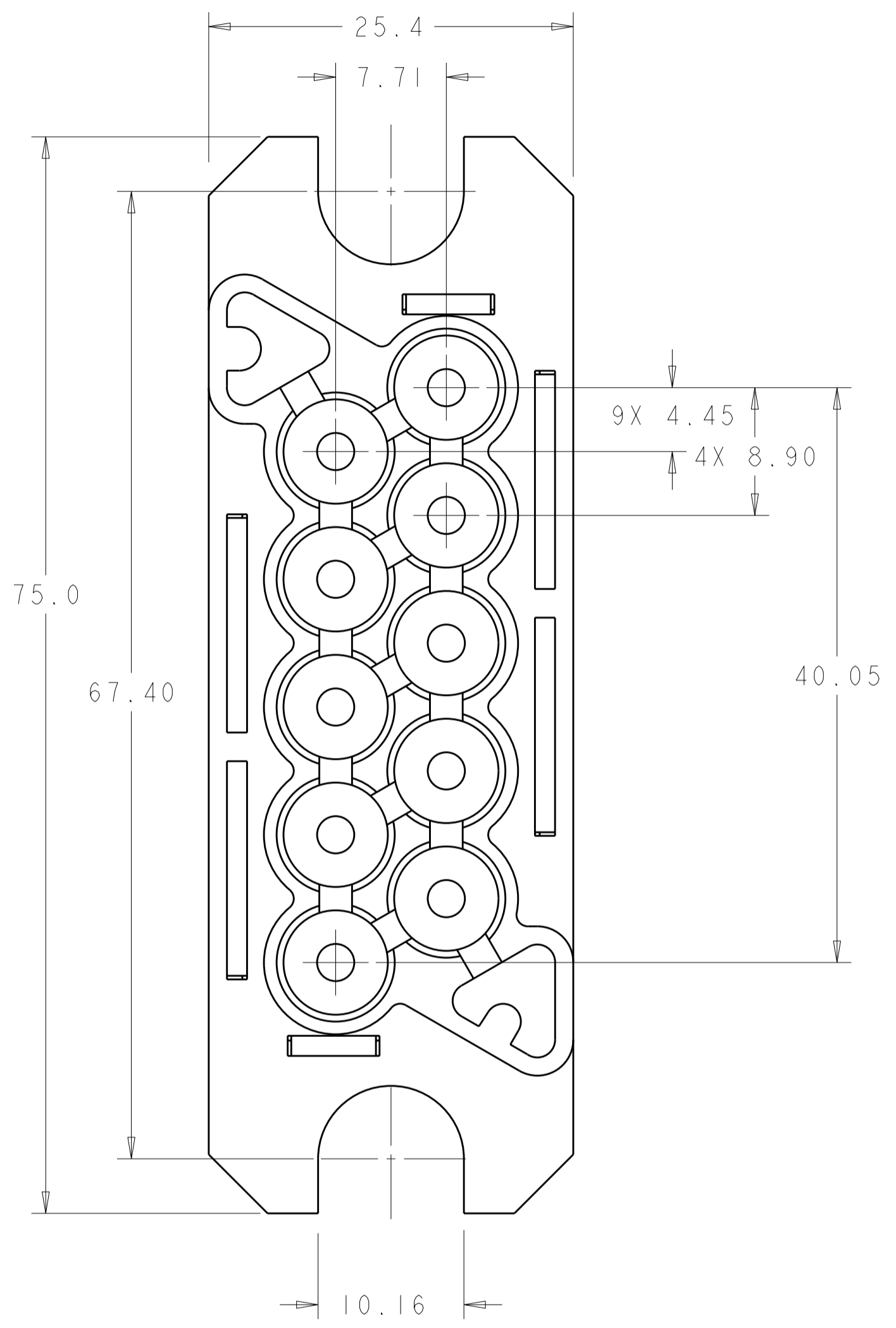


THIS DRAWING IS UNPUBLISHED. RELEASED FOR PUBLICATION 20
 © COPYRIGHT 20 BY TYCO ELECTRONICS CORPORATION. ALL RIGHTS RESERVED.

LOC	DIST	REVISIONS			
P	LTR	DESCRIPTION	DATE	DWN	APVD
GP	00	A	INITIAL RELEASE	10OCT2006	GIP DO
		B	REVISED PER ECO-07-004109	21FEB2007	GIP DO



PIN CONTACT SIZE #12 (B) OR (C)

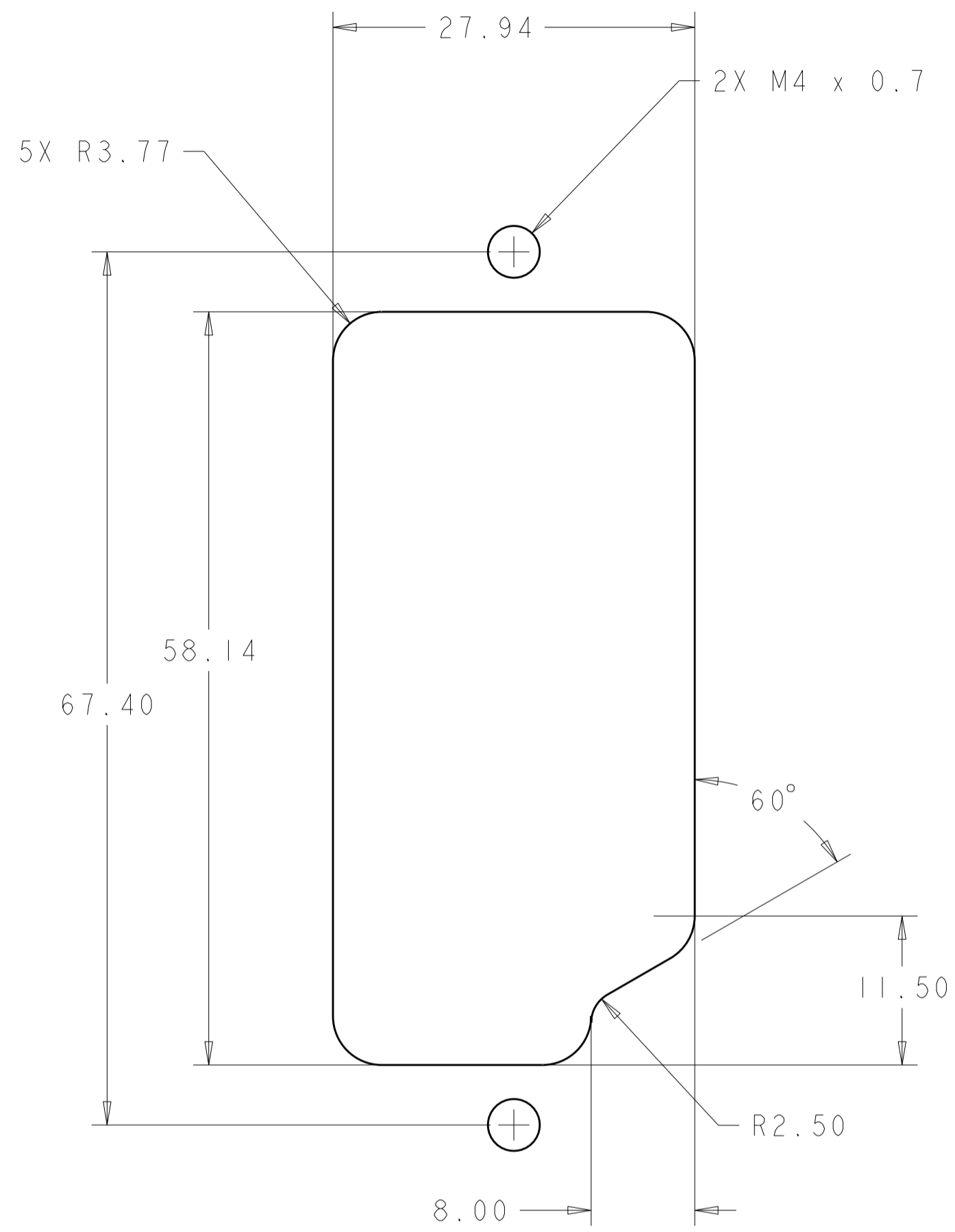
AS SHOWN	1926211-1
DESCRIPTION	PART NUMBER

THIS DRAWING IS A CONTROLLED DOCUMENT FOR TYCO ELECTRONICS CORPORATION. IT IS SUBJECT TO CHANGE AND THE CONTROLLING ENGINEERING ORGANIZATION SHOULD BE CONTACTED FOR THE LATEST REVISION.		DWN G. PETERS 10OCT2006	Tyco Electronics Harrisburg, PA 17105-3608
DIMENSIONS: mm		CHK D. ORRIS 10OCT2006	
TOLERANCES UNLESS OTHERWISE SPECIFIED:		APVD S. FLICKINGER 10OCT2006	NAME PIN CONNECTOR, P10S0 DRAWER
0 PLC ±-		PRODUCT SPEC -	SIZE A200779 C-1926211
1 PLC ±-		APPLICATION SPEC -	RESTRICTED TO -
2 PLC ±.30		WEIGHT -	SCALE 3:1 SHEET 1 OF 2 REV B
3 PLC ±0.15		CUSTOMER DRAWING	
4 PLC ±-			
ANGLES ±2			
FINISH			

ELCON P10S0 DRAWER

THIS DRAWING IS UNPUBLISHED. RELEASED FOR PUBLICATION 20
 © COPYRIGHT 20 BY TYCO ELECTRONICS CORPORATION. ALL RIGHTS RESERVED.

LOC	DIST	REVISIONS					
GP	00	P	LTR	DESCRIPTION	DATE	DWN	APVD
		-		SEE SHEET 1			



- PART NUMBER CHANGES AND OR DESIGN CHANGES AFFECTING ITEM INTERCHANGEABILITY REQUIRE PRIOR TYCO APPROVAL AND AUTHORIZATION BY REVISION TO THIS DRAWING.
- MATERIAL:
 INSULATORS - THERMOPLASTIC, GLASS REINFORCED, COLOR: BLACK
 UL94V-0 FLAMMABILITY RATED.
 PIN CONTACTS - COPPER ALLOY
 RETENTION CLIPS - COPPER ALLOY
- FINISH:
 CONTACTS - SILVER PLATE .000200/.000300 THK OVER NICKEL PLATE
 .000040 INCH MIN. THK.

4 ITEMS PROVIDED TO THIS SPECIFICATION TO BE PERMANENTLY IDENTIFIED PER THE FOLLOWING IDENTIFIER LABEL

YEAR WEEK

TYCO PART NO. DATE CODE (e.g. 0106)

XXXXXXXX-X XXXX

5 CRIMP CONTACTS (ITEM B AND C) SHALL BE PACKAGED SEPERATELY AND PLACED IN THE BOX WITH THE CONNECTOR ASSEMBLY.

SUGGESTED PANEL CUTOUT

5	1	1766280-1	CONTACT PIN #12, PREMATE CRIMP #10	C
5	9	1766282-1	CONTACT PIN #12, STD CRIMP #10	B
	1	1648568-2	PIN, CONNECTOR ASSY	A
	-1	PART NUMBER	DESCRIPTION	ITEM NO.

ELCON P10S0 DRAWER

DIMENSIONS:		TOLERANCES UNLESS OTHERWISE SPECIFIED:		DWN		Tyco Electronics	
mm		0 PLC	±-	G. PETERS	10OCT2006	Tyco Electronics Harrisburg, PA 17105-3608	
		1 PLC	±-	CHK	D. ORRIS	NAME	
		2 PLC	±.30	APVD	S. FLICKINGER	PIN CONNECTOR P10S0 DRAWER	
		3 PLC	±0.15	PRODUCT SPEC		-	
		4 PLC	±-	APPLICATION SPEC		-	
		ANGLES	±2	WEIGHT		SIZE	CAGE CODE
		FINISH				A2	00779
						DRAWING NO	RESTRICTED TO
						G-1926211	-
						SCALE	SHEET
						3:1	2 OF 2
							REV
							B

单击下面可查看定价，库存，交付和生命周期等信息

[>>TE Connectivity\(泰科\)](#)