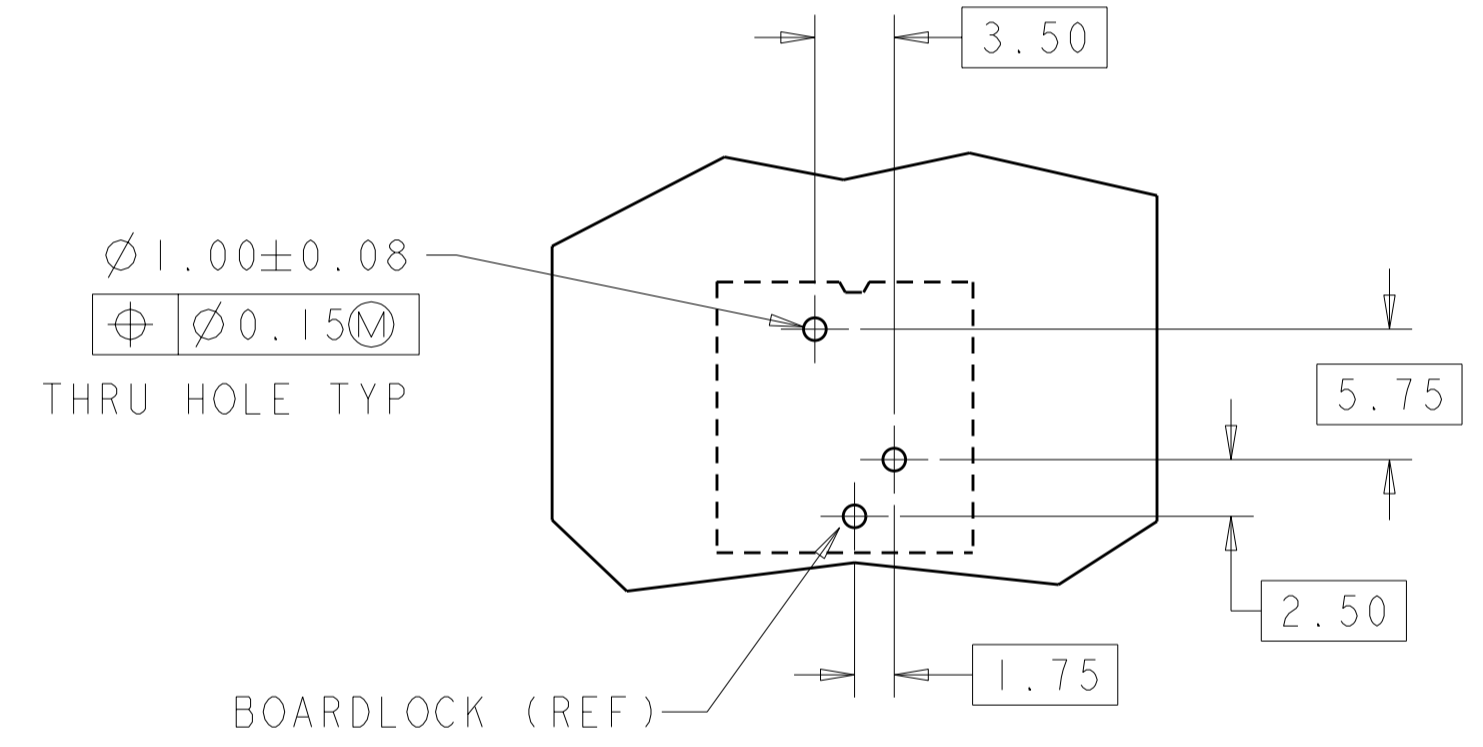
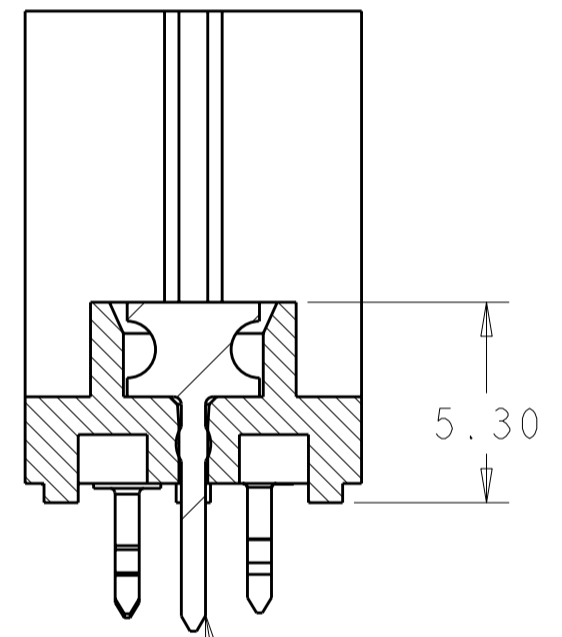
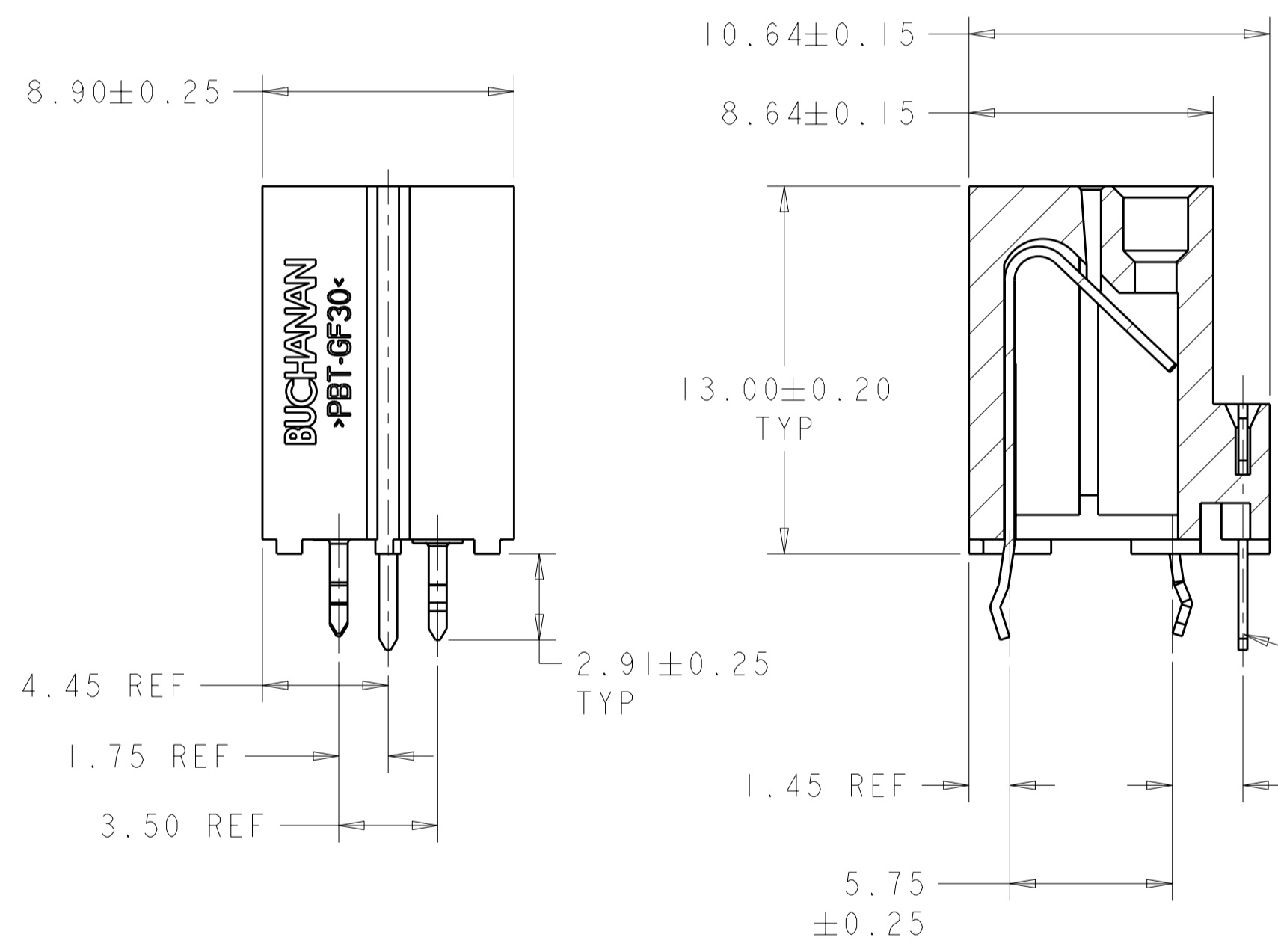
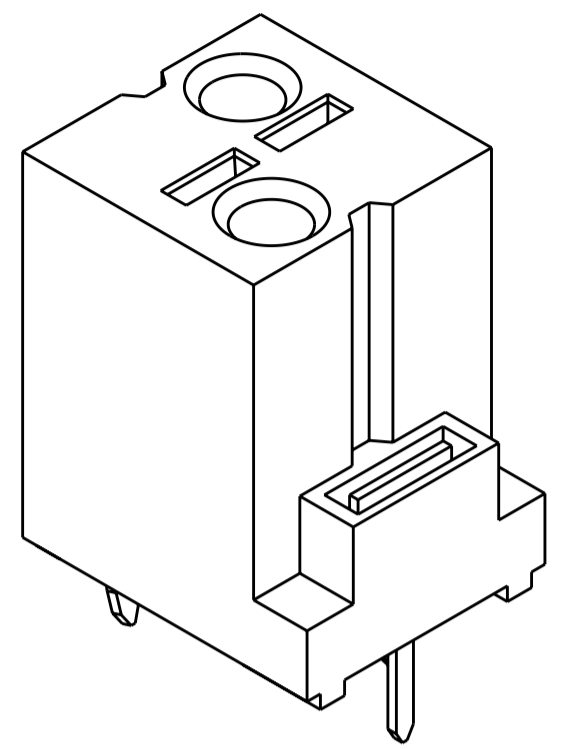
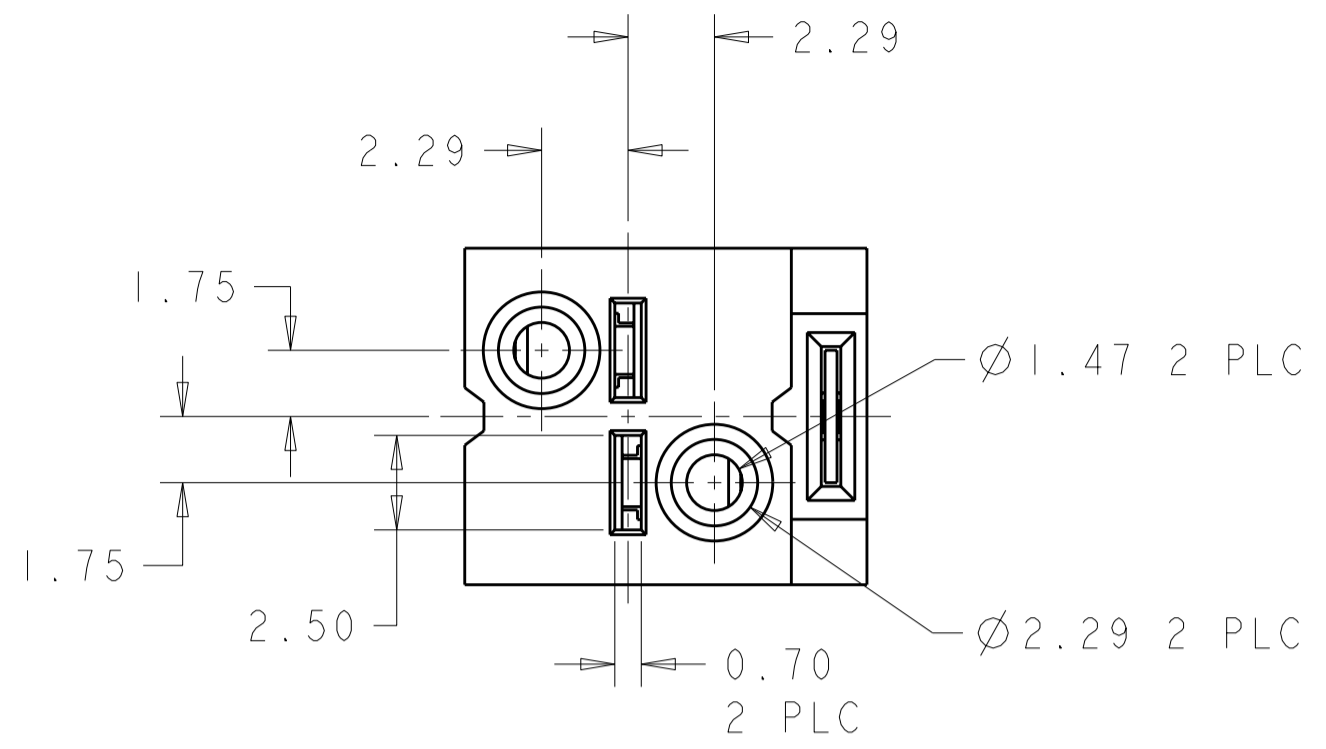


THIS DRAWING IS UNPUBLISHED. RELEASED FOR PUBLICATION 20  
 © COPYRIGHT 20 BY - ALL RIGHTS RESERVED.

LOC	DIST	REVISIONS					
FT	0	P	LTR	DESCRIPTION	DATE	DWN	APVD
		A4		REVISED PER ECR-10-013378	01JUL2010	HMR	DD
		A5		REVISED PER ECR-12-008903	16MAY2012	RS	DD



SCALE 3:1  
 PCB LAYOUT  
 VIEWED FROM CONNECTOR MOUNTING SIDE

- 1 MATERIAL:  
 HOUSING: PTB, UL94-V0, COLOR BLACK.  
 CONTACTS: PHOSPHOR BRONZE.  
 BOARDLOCK: PHOSPHOR BRONZE.
- 2 PLATING:  
 CONTACTS & BOARDLOCKS: PRE TIN, 2.5µm MIN OVER 0.76µm MIN NICKEL  
 (CONTACT AND BOARDLOCK EDGES WILL BE UNPLATED)
- 3. WIRE SIZE: 16 TO 18AWG SOLID AND 18AWG  
 BONDED PER ASTM B470, TYPE I.  
 2.19mm MAX INSULATION DIAMETER.  
 STRIP LENGTH = 9.53±1.00.

TAPE AND REEL	1811957-3
TUBE	1811957-2
TRAY	1811957-1
PACKAGING	PART NO

THIS DRAWING IS A CONTROLLED DOCUMENT.		DWN	21APR2005	TE Connectivity			
DIMENSIONS: mm		CHK	21APR2005				
TOLERANCES UNLESS OTHERWISE SPECIFIED:		APVD	13SEP2005				
0 PLC ±- 1 PLC ±0.5 2 PLC ±0.13 3 PLC ±- 4 PLC ±- ANGLES ±- FINISH ±-		NAME ASSEMBLY, WIRE CONNECTOR, 2 POSITION WITH BOARDLOCK, SCREWLESS, VERTICAL					
MATERIAL		PRODUCT SPEC	108-2059	SIZE	CAGE CODE	DRAWING NO	RESTRICTED TO
1 - 2 -		APPLICATION SPEC	114-13075	A2	00779	C-1811957	-
CUSTOMER DRAWING		WEIGHT	-	SCALE 5:1		SHEET 1 OF 1	REV A5

单击下面可查看定价，库存，交付和生命周期等信息

[>>TE Connectivity\(泰科\)](#)