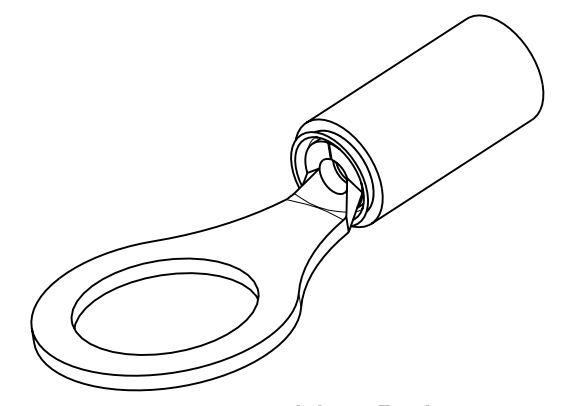
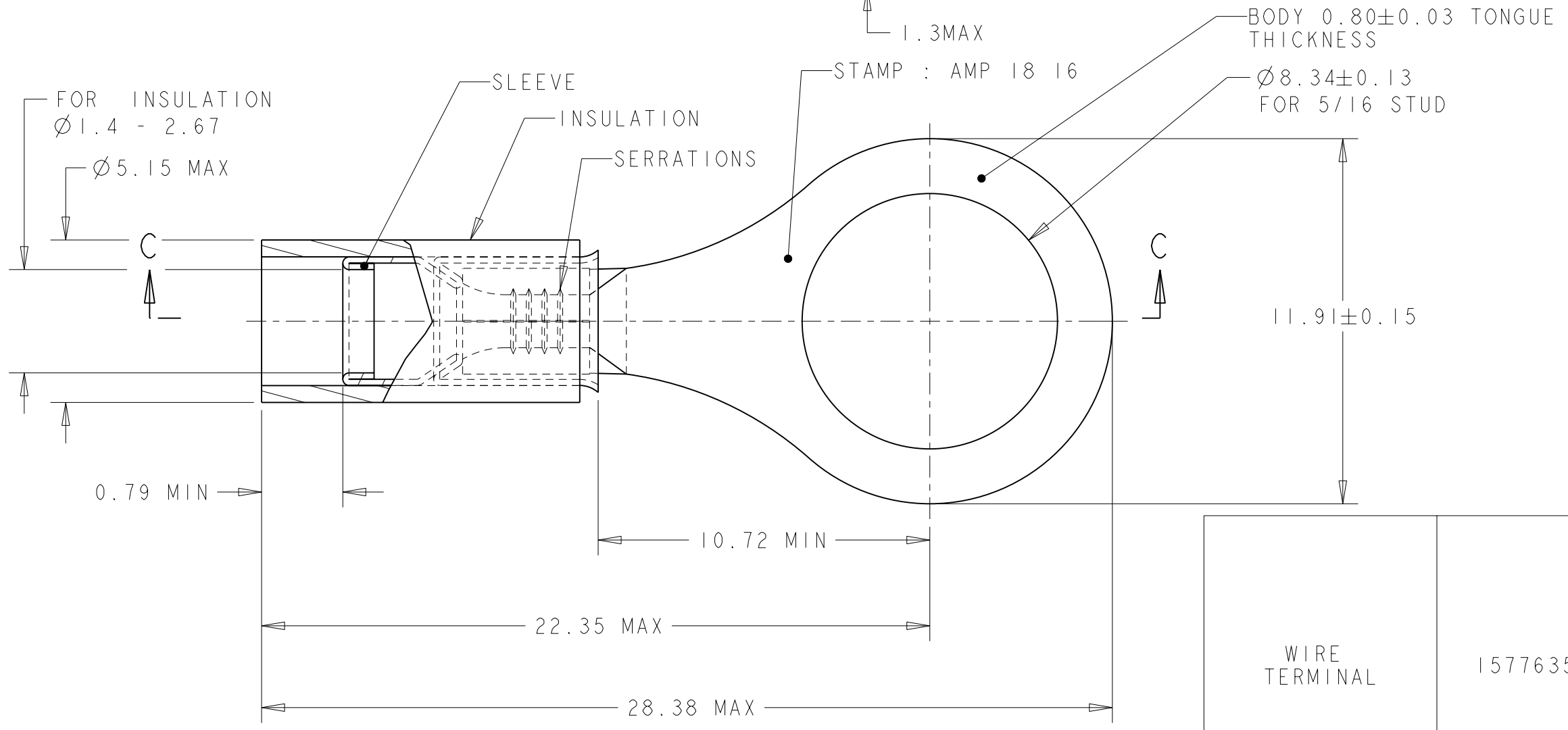
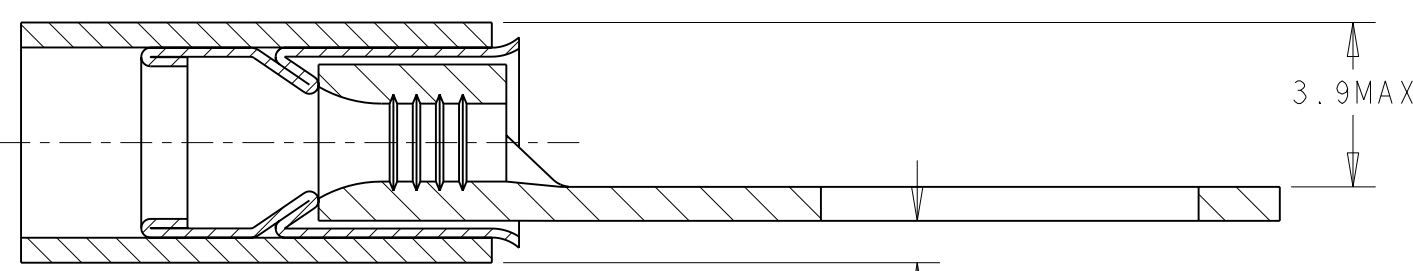


THIS DRAWING IS UNPUBLISHED. RELEASED FOR PUBLICATION 20
 © COPYRIGHT 20 BY TYCO ELECTRONICS CORPORATION. ALL RIGHTS RESERVED.

LOC	DIST	REVISIONS			
P	LTR	DESCRIPTION	DATE	DWN	APVD
F	00				
	B	HOLE DIA. TOLERANCES	09JUN2006	JJD	YP
	C	ECR 07-025006	26OCT2007	JT	GR

COUPE C-C



WIRE TERMINAL	1577635-1	BODY : COPPER ANNEALED FINISH : NICKEL PLATED
		SLEEVE : COPPER ANNEALED FINISH : NICKEL PLATED
		INSULATION : PEEK COLOR : ORANGE
DESCRIPTION	PART NUMBER	MATERIAL & FINISH

THIS DRAWING IS A CONTROLLED DOCUMENT FOR TYCO ELECTRONICS CORPORATION. IT IS SUBJECT TO CHANGE AND THE CONTROLLING ENGINEERING ORGANIZATION SHOULD BE CONTACTED FOR THE LATEST REVISION.		DWN	22FEB2006	 Tyco Electronics France SAS 95300 Pontoise, France			
DIMENSIONS: mm		CHK	22FEB2006				
TOLERANCES UNLESS OTHERWISE SPECIFIED:		APVD	22FEB2006				
0 PLC ±-	1 PLC ±0.3	PRODUCT SPEC	108-15356	NAME TERMINAL, PEEK PIDG STRATO, 18-16 AWG			
2 PLC ±-	3 PLC ±-	APPLICATION SPEC	114-15102				
4 PLC ±-	ANGLES ±5	WEIGHT	1,2 gr	SIZE	CAGE CODE	DRAWING NO	RESTRICTED TO
MATERIAL SEE TABLE	FINISH SEE TABLE	CUSTOMER DRAWING		A3	00779	1577635	-
				SCALE	6:1	SHEET	1 OF 1
						REV	C

单击下面可查看定价，库存，交付和生命周期等信息

[>>TE Connectivity\(泰科\)](#)