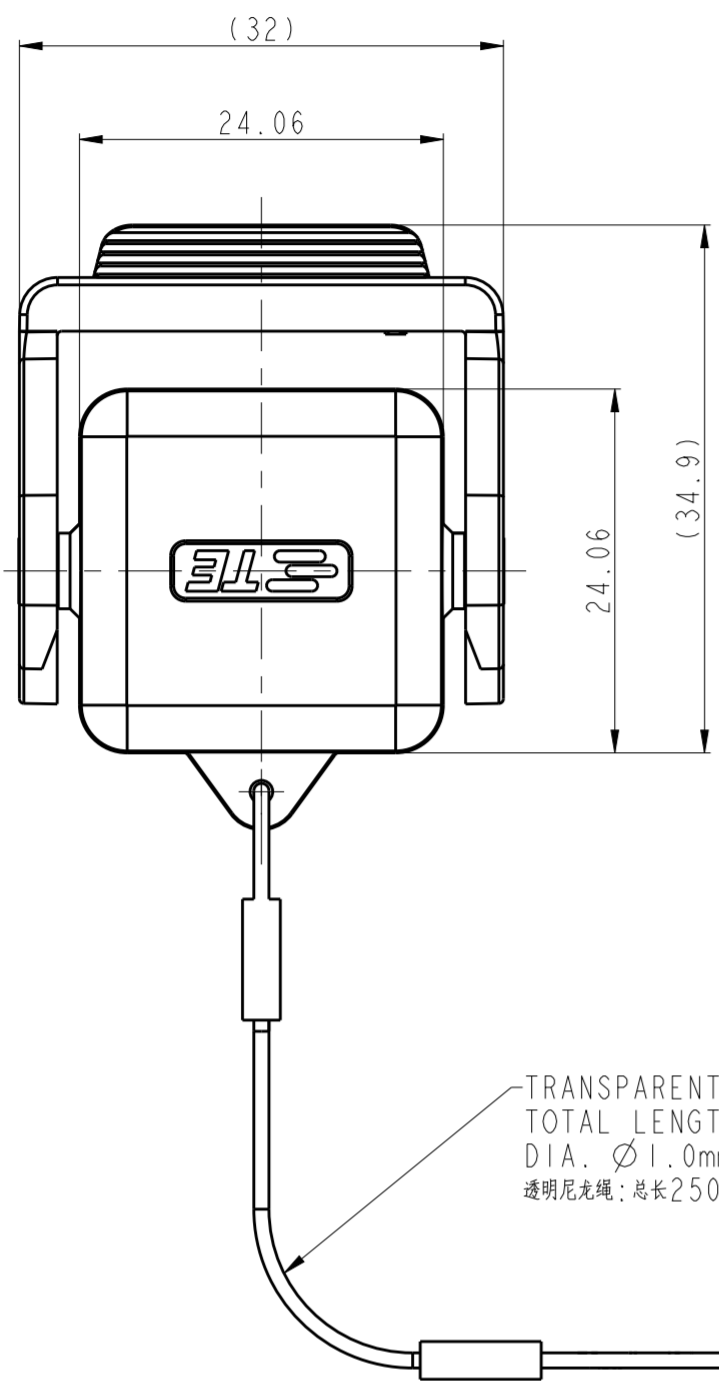
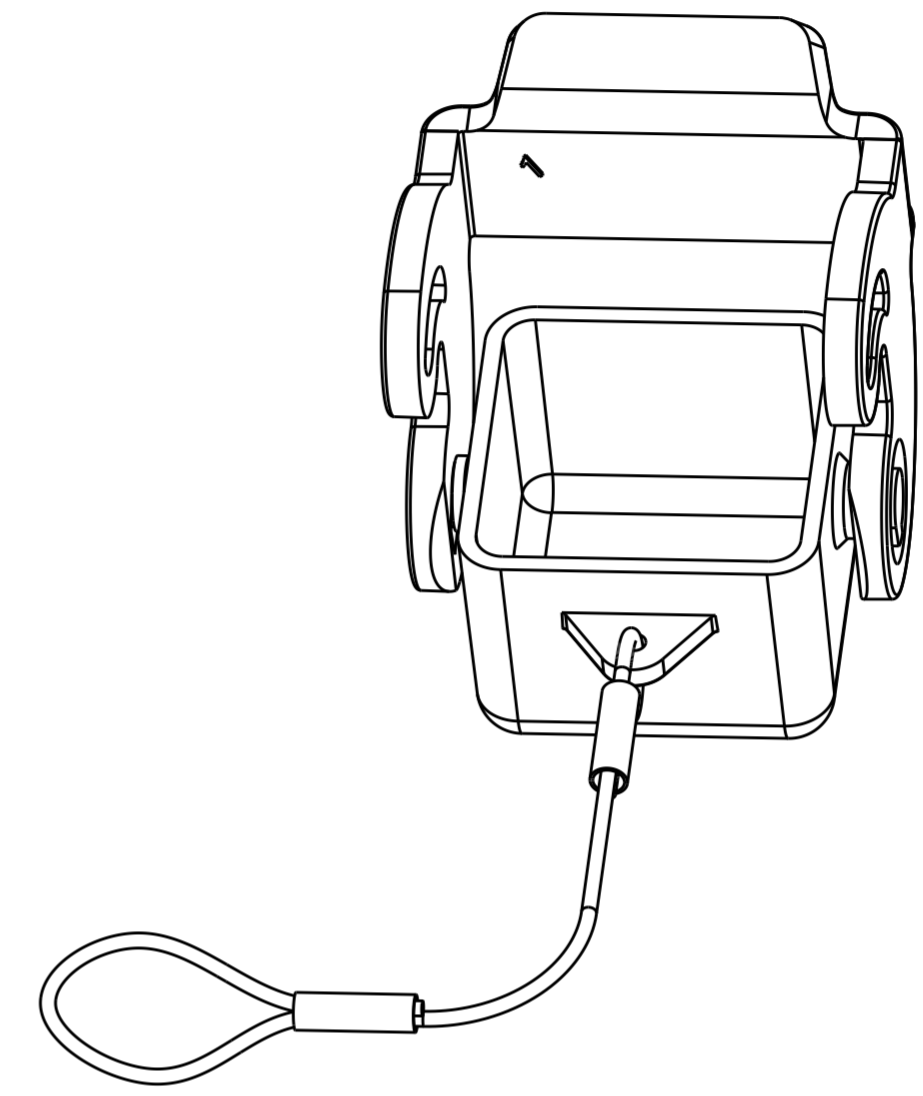
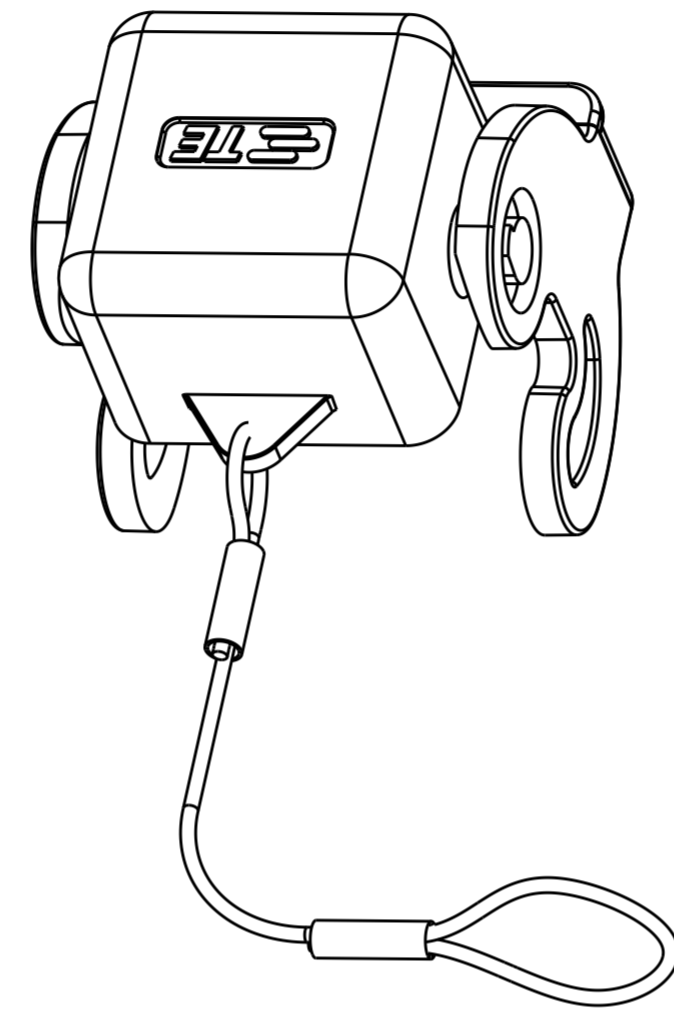


THIS DRAWING IS UNPUBLISHED. RELEASED FOR PUBLICATION
 © COPYRIGHT copyright.d8te- ALL RIGHTS RESERVED.

REVISIONS					
P	LTR	DESCRIPTION	DATE	DWN	APVD
A		INITIAL	11JUL2017	CH	CW
B		ECR-18-017120	27MAR2019	BS	CW

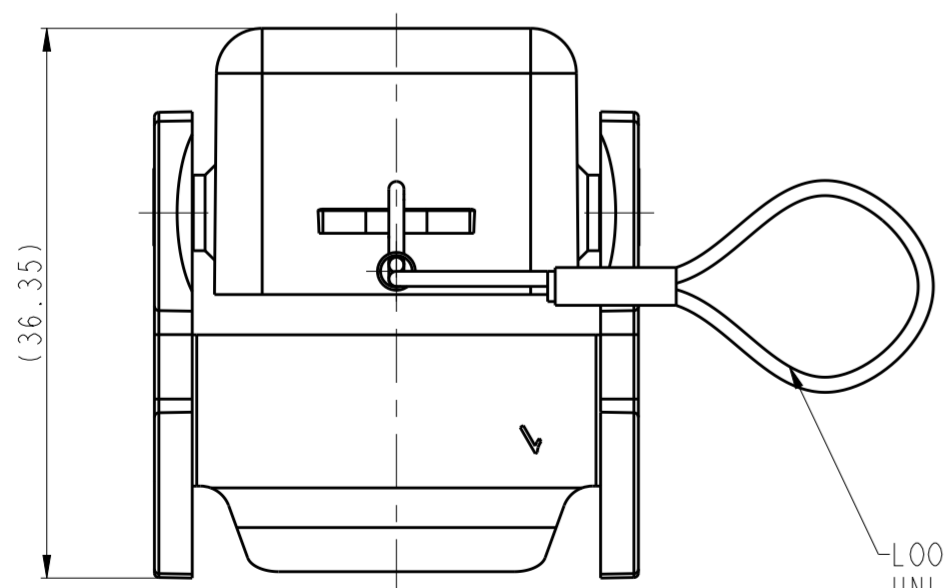


TRANSPARENT NYLON ROPE:
 TOTAL LENGTH 250mm,
 DIA. Ø1.0mm
 透明尼龙绳: 总长250mm, 直径Ø1.0mm

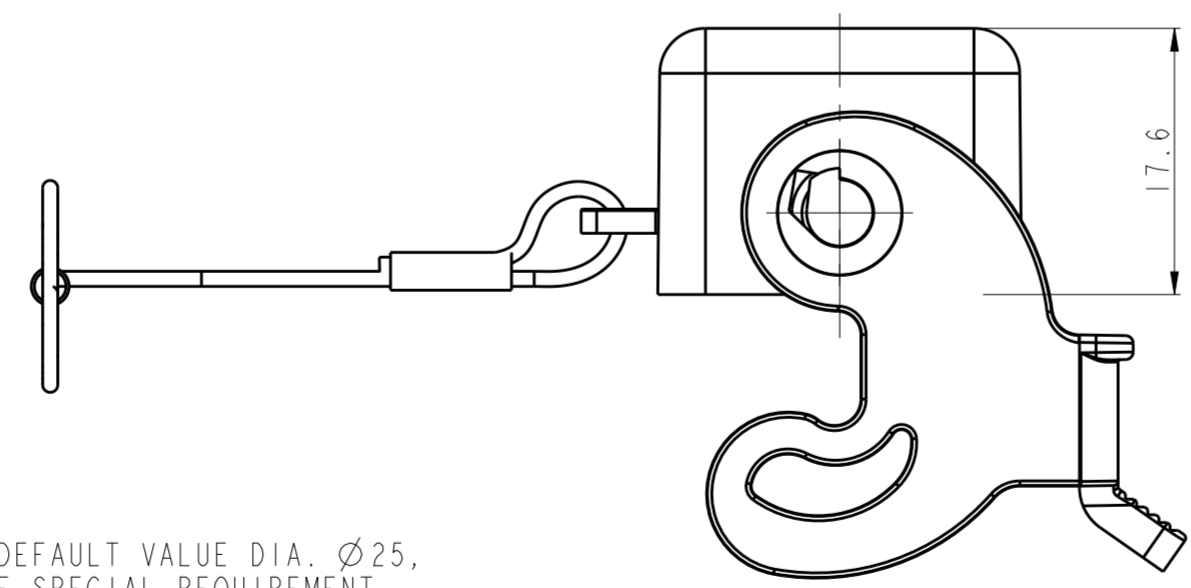


NOTES:
 1. TECHNICAL CHARACTERISTICS:
 COVER MATERIAL: PC, COLOR SEE TABLE
 PLASTIC SINGLE LOCKING MATERIAL: PA, COLOR SEE TABLE

注释:
 1. 技术参数:
 保护盖材质: PC, 颜色见表格。
 塑料单扣材质: 尼龙, 颜色见表格。



LOOP SIZE DEFAULT VALUE DIA. Ø25,
 UNLESS HAVE SPECIAL REQUIREMENT.
 套圈大小默认值直径是Ø25, 除非有特别要求。



T1010034100-000	H3A-KDTP-G	H3A HOOD PLASTIC PROTECTION COVER, PLASTIC SINGLE LOCKING, WITHOUT SEALING, NYLON ROPE, DARK GREY H3A上壳塑料保护盖, 塑料单扣, 不带密封, 尼龙绳, 深灰色
T1010031100-000	H3A-KDTP	H3A HOOD PLASTIC PROTECTION COVER, PLASTIC SINGLE LOCKING, WITHOUT SEALING, NYLON ROPE, GREY H3A上壳塑料保护盖, 塑料单扣, 不带密封, 尼龙绳, 灰色
PART NUMBER 料号	PART DESCRIPTION 描述	

THIS DRAWING IS A CONTROLLED DOCUMENT.		DWN CHARLIE HU 11JUL2017	TE Connectivity															
DIMENSIONS: mm		CHK GINO YAO 11JUL2017																
TOLERANCES UNLESS OTHERWISE SPECIFIED:		APVD CHRIS WANG 11JUL2017	NAME H3A-KDTP/H3A-KDTP-G															
<table border="1"> <tr><td>0 PLC</td><td>±</td></tr> <tr><td>1 PLC</td><td>±</td></tr> <tr><td>2 PLC</td><td>±</td></tr> <tr><td>3 PLC</td><td>±</td></tr> <tr><td>4 PLC</td><td>±</td></tr> <tr><td>ANGLES</td><td>±</td></tr> <tr><td>FINISH</td><td>-</td></tr> </table>		0 PLC	±	1 PLC	±	2 PLC	±	3 PLC	±	4 PLC	±	ANGLES	±	FINISH	-	PRODUCT SPEC -	SIZE A2	CAGE CODE -
0 PLC	±																	
1 PLC	±																	
2 PLC	±																	
3 PLC	±																	
4 PLC	±																	
ANGLES	±																	
FINISH	-																	
MATERIAL -	WEIGHT -	APPLICATION SPEC -	DRAWING NO G-T101003X100000															
CUSTOMER DRAWING			SCALE 2:1	SHEET 1 OF 1														
			REV B															

单击下面可查看定价，库存，交付和生命周期等信息

[>>TE Connectivity\(泰科\)](#)