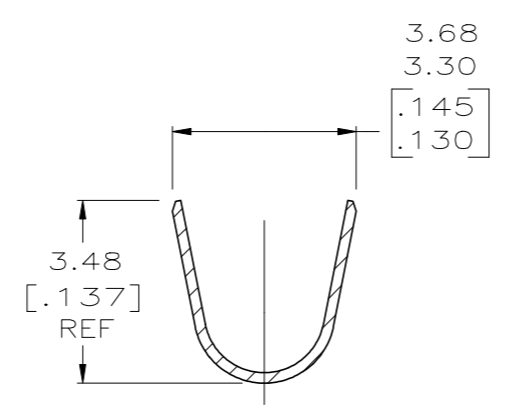
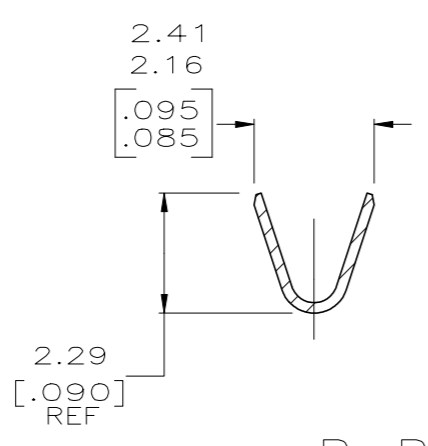
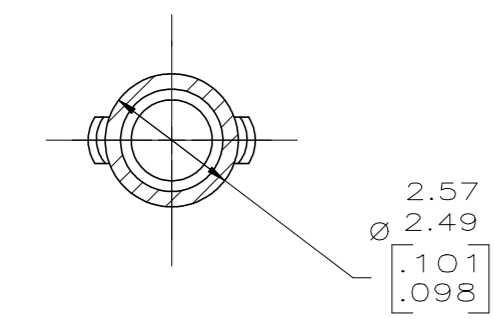
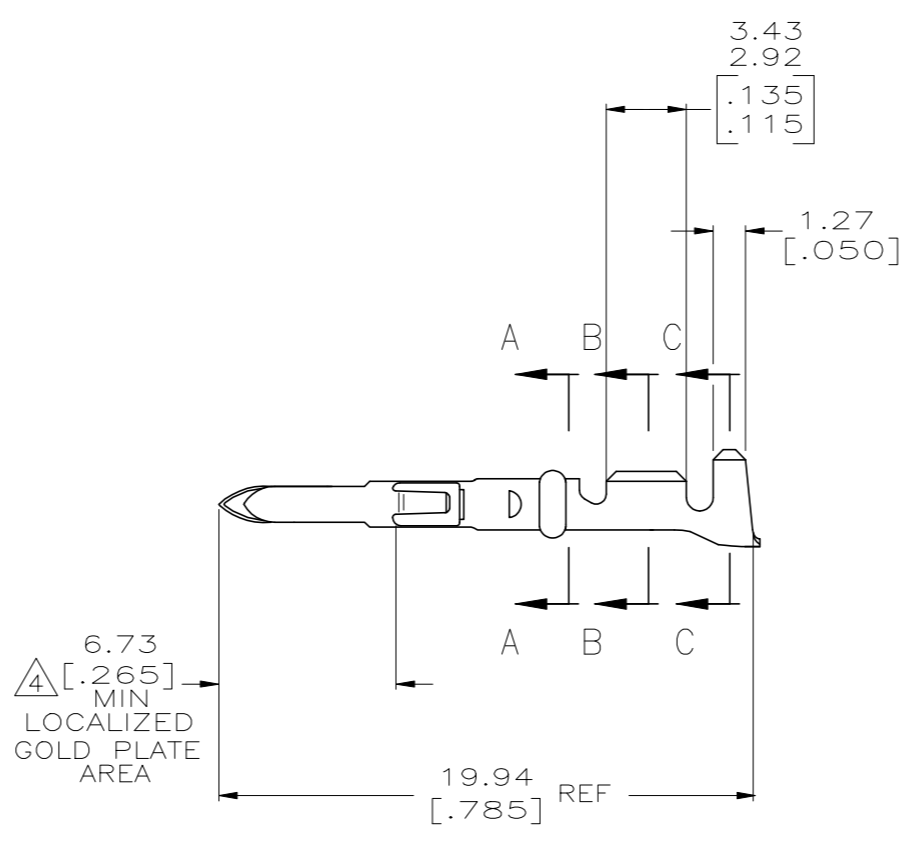
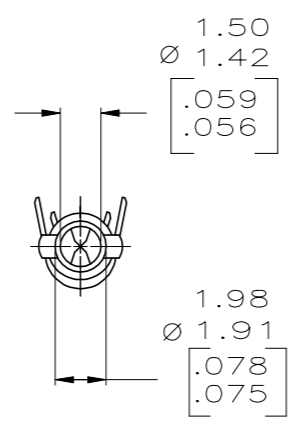
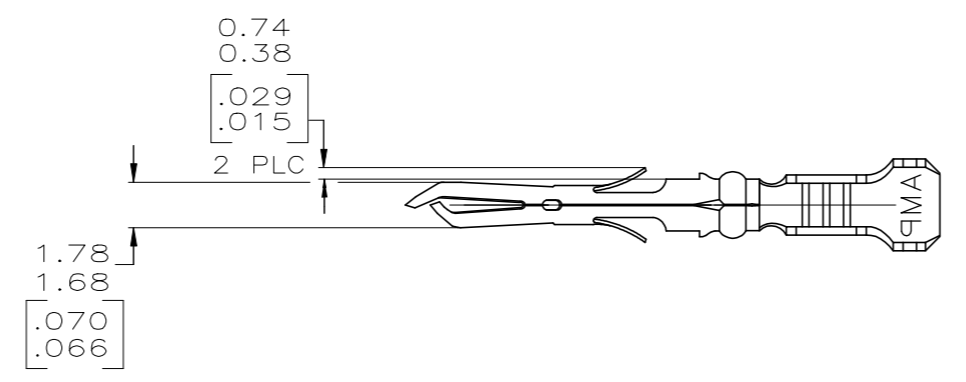


REVISIONS				
P	LTR	DESCRIPTION	DATE	APVD
C1		REVISED PER ECO-11-004820	11MAR11	RK HMR
D		REVISED PER ECO-19-009931	05JUL2019	RS MZ

- 1 WIRE RANGE: 0.12-0.9mm² (26-18 AWG).
- 2 INSULATION RANGE: 1.27-2.92 [.050-.115] MAX. DIA.
- 3 DIMENSIONS IN BRACKETS ARE IN INCHES.
- 4 TIP PLATE WITH 0.00076-0.00091 [.000030-.000036] MIN GOLD IN THE LOCALIZED GOLD PLATE AREA OVER 0.00127 [.000050] MIN NICKEL UNDERPLATE.



METRIC

4 GOLD PLATE	0.20 [.008] PHOS BRZ	640545-2
PRE-TIN	0.20 [.008] PHOS BRZ	640545-1
FINISH	MATERIAL	PART NO

THIS DRAWING IS A CONTROLLED DOCUMENT.		DIN K SALMON 3-21-95	TE Connectivity	
DIMENSIONS: mm [INCHES]		OK R SWING 3-21-95	NAME	
TOLERANCES UNLESS OTHERWISE SPECIFIED:		APVD W LONG 3-21-95	PIN, LOOSE PIECE, MR	
0 PLC ± -	1 PLC ± -	PRODUCT SPEC	SIZE	CAGE CODE DRAWING NO
2 PLC ± -	3 PLC ± 0.13 [.005]	APPLICATION SPEC	A1	00779 640545
4 PLC ± -	ANGLES ± -	WEIGHT	RESTRICTED TO	
MATERIAL SEE TABLE	FINISH SEE TABLE	CUSTOMER DRAWING	SCALE 5:1	SHEET 1 OF 1 REV D

单击下面可查看定价，库存，交付和生命周期等信息

[>>TE Connectivity\(泰科\)](#)