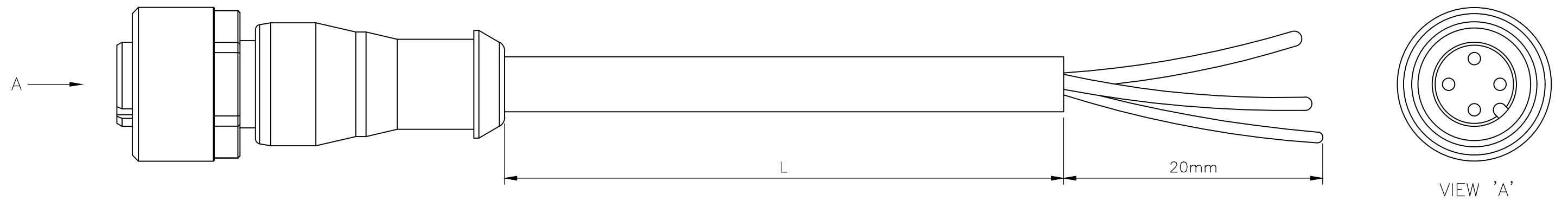


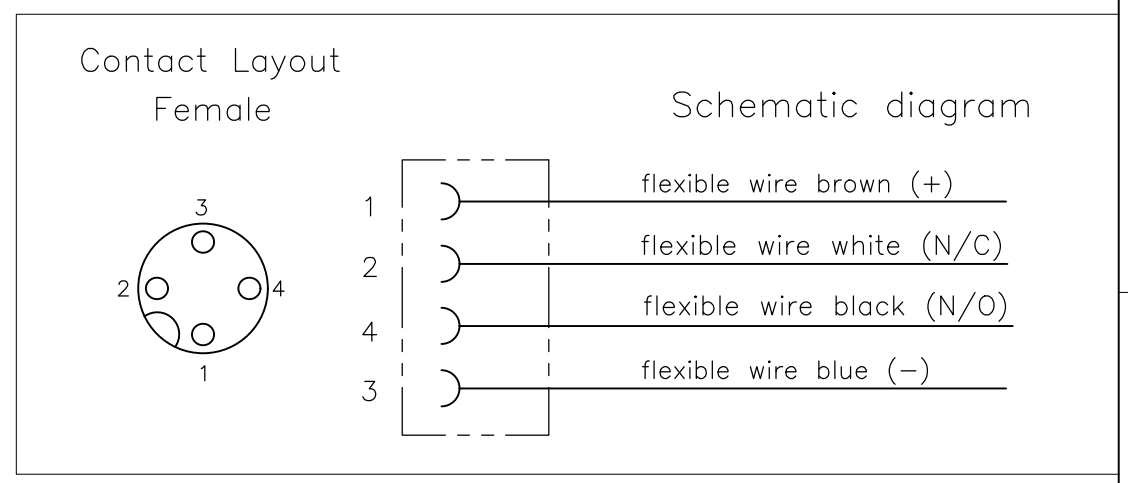
THIS DRAWING IS UNPUBLISHED. RELEASED FOR PUBLICATION  
 © COPYRIGHT - By - ALL RIGHTS RESERVED.

P	LTR	DESCRIPTION	DATE	DWN	APVD
	A1	ECR-14-011671	16AUG2014	GSK	BvH
	A2	ECR-16-003945	16MAR2016	GSK	BvH
	A3	ECR-19-018496	22DEC2019	BP	CW

NOTES:  
 Tolerances cable lengths:  
 0m to 0.5m +30mm  
 0.5m to 1.0m +50mm  
 1.0m to 3.0m +100mm  
 > 3.0m ±1.5%



TECHNICAL DATA	
Operating voltage	max. 250 V AC/DC
Operating current per contact	max. 4 A
Locking of ports	Screw thread M12 x 1 mm (recommended torque 0.6 Nm) self-securing
Protection	IP65 and IP67 when plugged and screwed down (EN 60529)



PVC CABLE	
No./diameter of wires	4 x 0.34 mm <sup>2</sup>
Wire isolation	PVC (br, wh, bl, bk)
C-track properties	
Jacket	PVC (UL/CSA)
Outer diameter	approx. 5.0 mm
Bend radius (moving)	10 x outer diameter
Temperature range (fixed)	-30...+80 °C
Temperature range (mobile)	-5...+80 °C

LENGTH "L"	MATERIAL	JACKET COLOR	TE PN	DESCRIPTION	ITEM
4 pos	PVC	Black	1-2273029-4	4x22AWG PVC 10.0m	8
			1-2273029-3	4x22AWG PVC 5.0m	7
			1-2273029-2	4x22AWG PVC 3.0m	6
4 pos	PUR	Black	1-2273029-1	4x22AWG PVC 1.5m	5
			2273029-4	4x22AWG PUR 10.0m	4
			2273029-3	4x22AWG PUR 5.0m	3
			2273029-2	4x22AWG PUR 3.0m	2
			2273029-1	4x22AWG PUR 1.5m	1

THIS DRAWING IS A CONTROLLED DOCUMENT.		DWN YATHISH.C 16NOV2013	<b>STE</b> TE Connectivity		
		CHK B.VELDHOVEN 16NOV2013			
		APVD A.VAN ZANDVOORT 16NOV2013	NAME M12 X 1.0 STRAIGHT SOCKET PIGT A		
DIMENSIONS: mm		PRODUCT SPEC 108-19483			
TOLERANCES UNLESS OTHERWISE SPECIFIED:		APPLICATION SPEC 114-32127			
MATERIAL -		FINISH -	SIZE A3	CAGE CODE 00779	DRAWING NO C-2273029
			RESTRICTED TO -		
			CUSTOMER DRAWING	SCALE NTS	SHEET 1 OF 1
					REV A3

单击下面可查看定价，库存，交付和生命周期等信息

[>>TE Connectivity\(泰科\)](#)