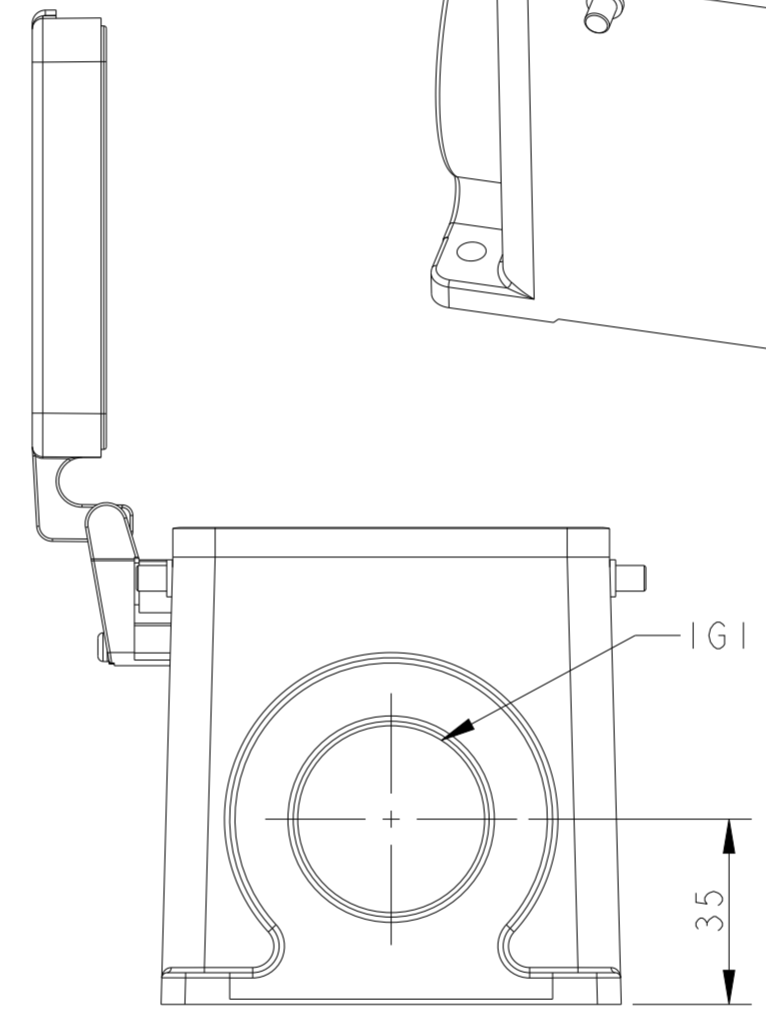
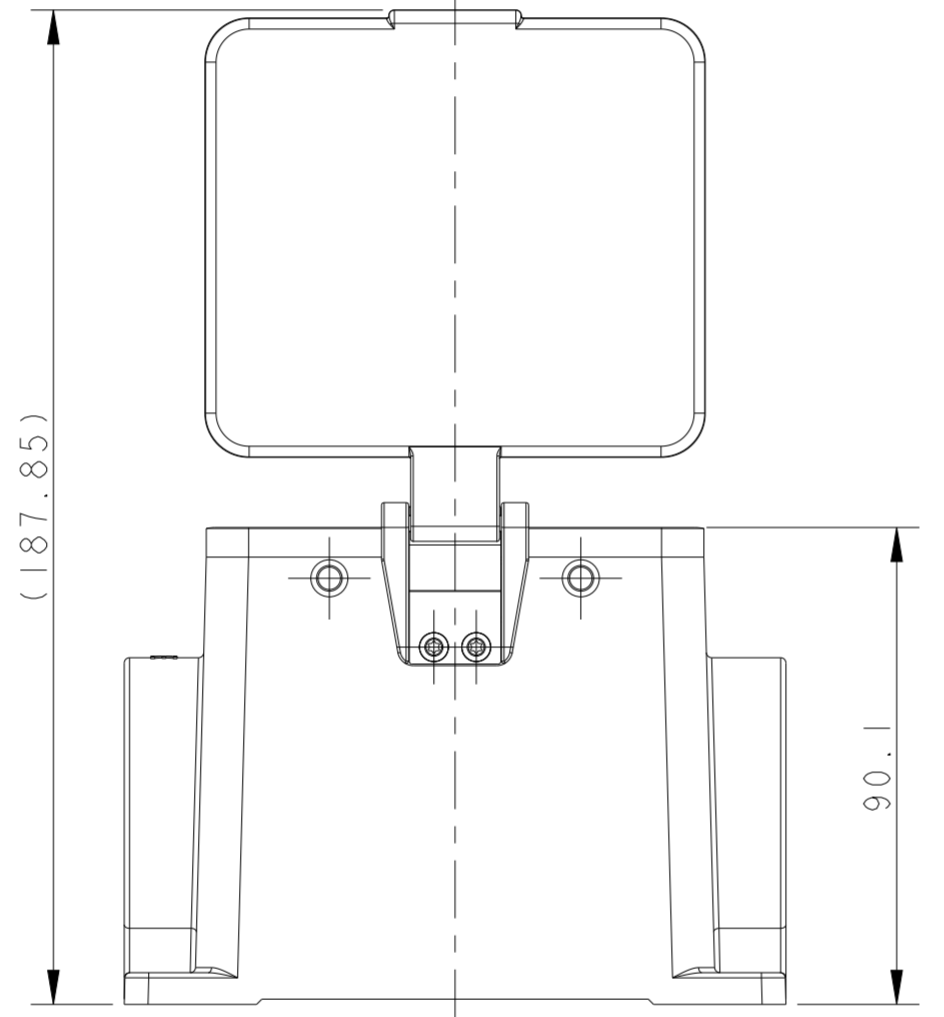
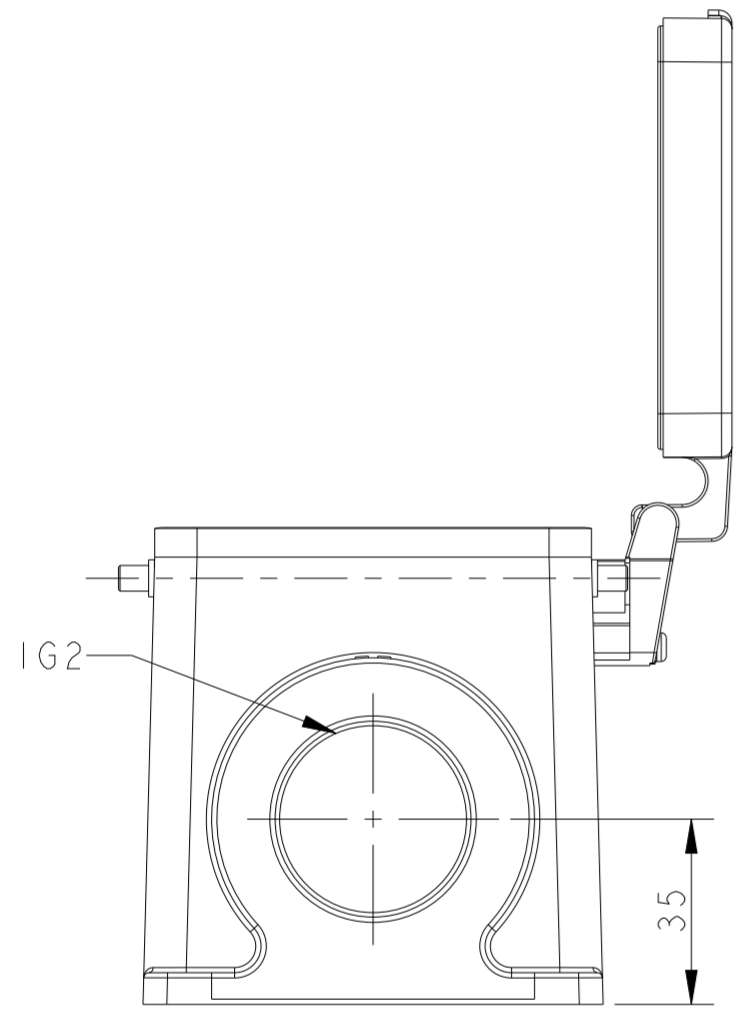
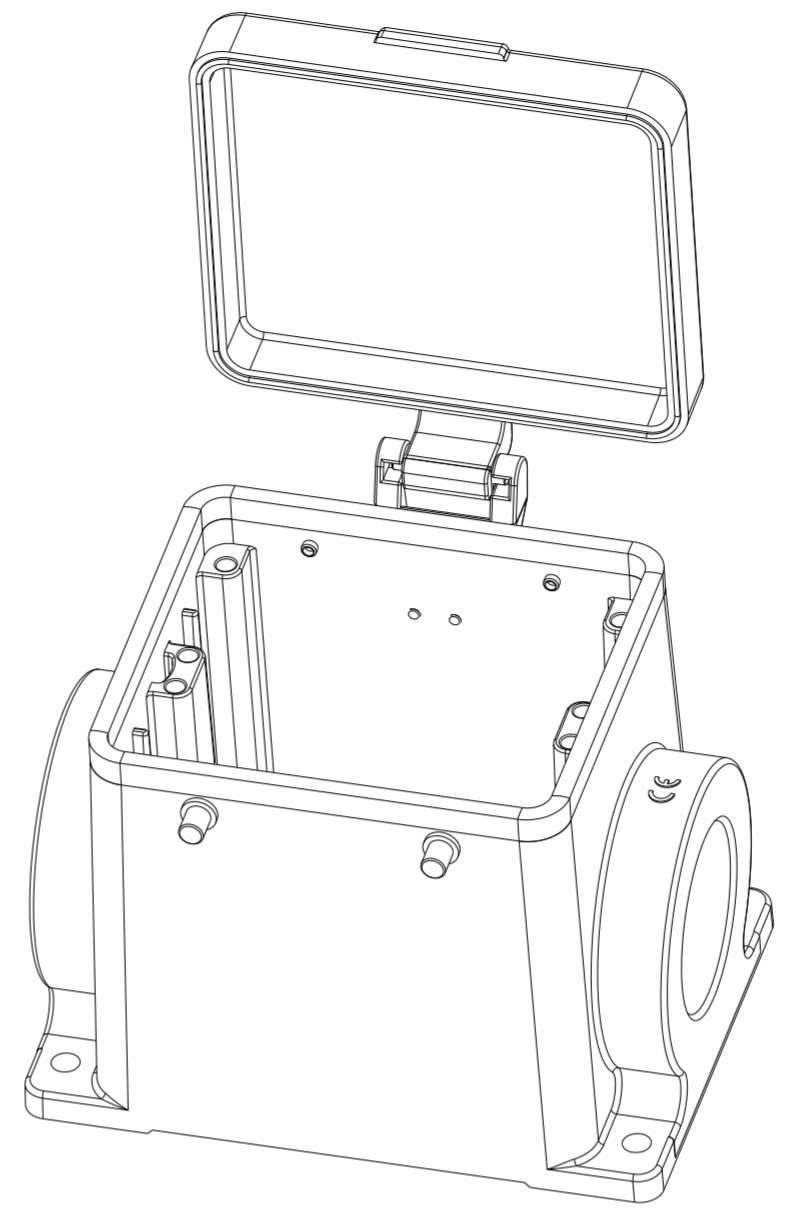
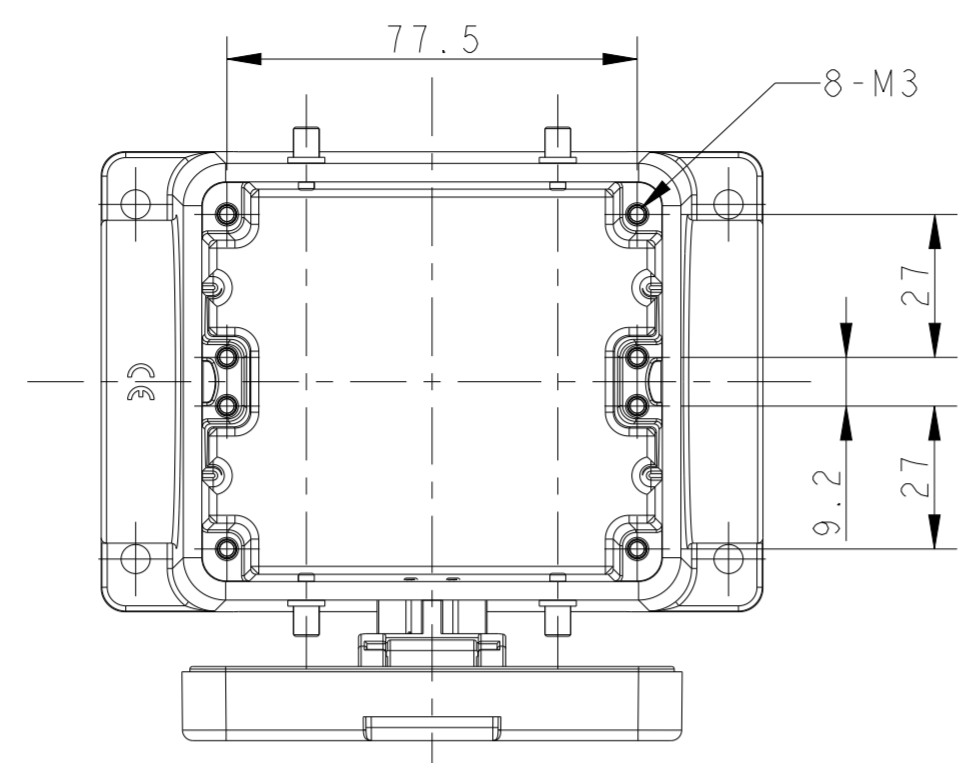


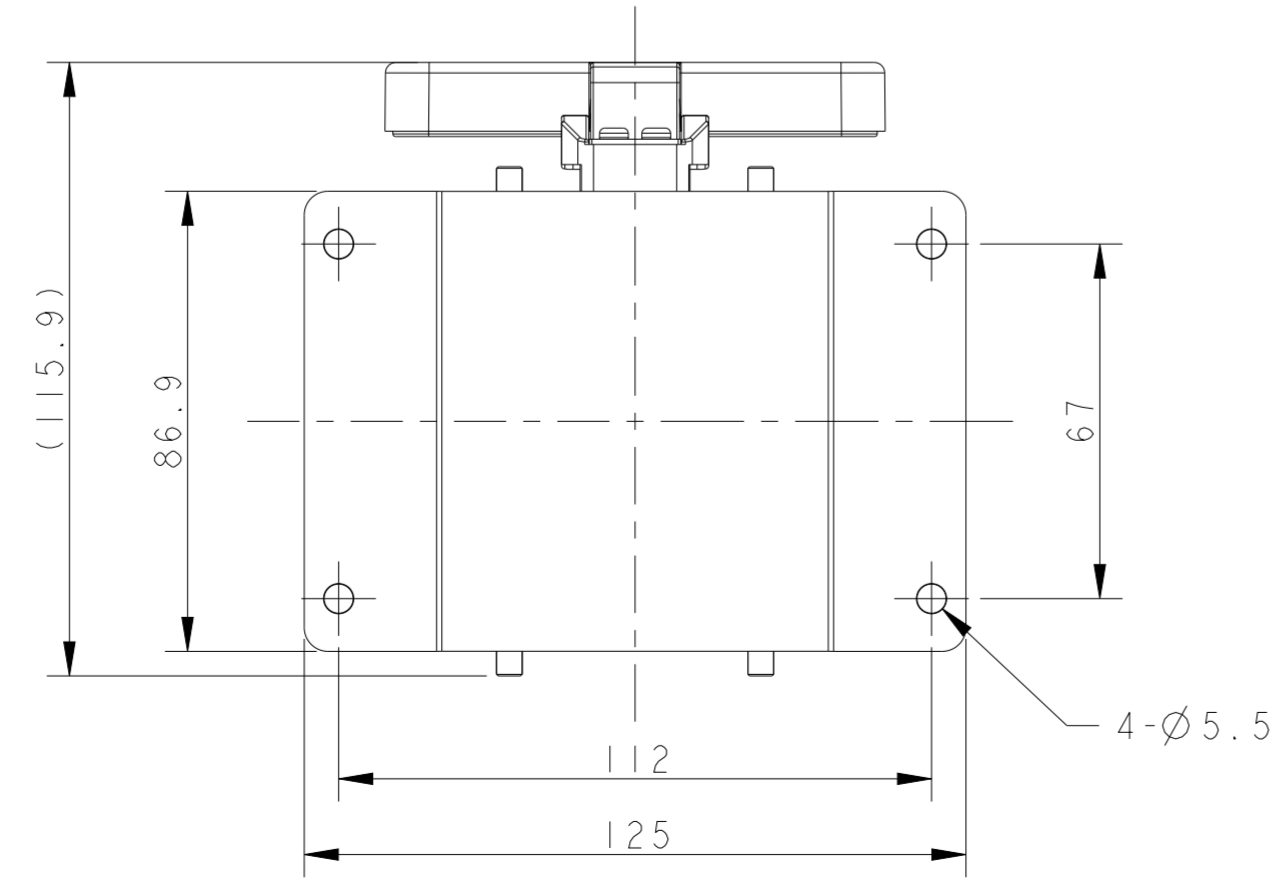
THIS DRAWING IS UNPUBLISHED. RELEASED FOR PUBLICATION 20  
 © COPYRIGHT 20 BY - ALL RIGHTS RESERVED.

REVISIONS				
P	LTR	DESCRIPTION	DATE	APVD
A		INITIAL RELEASE	04JUN2015	DL CW
B		ECR-21-109004	16AUG2021	WOR CW



NOTES:  
 1. TECHNICAL CHARACTERISTICS:  
 BODY MATERIAL: DIE CAST ALUMINIUM ALLOY  
 SURFACE TREATMENT: POWDER-COATED, GRAY  
 DEGREE OF PROTECTION: IP65 (MATED)

注释:  
 1. 技术参数:  
 主体材料: 铝合金  
 表面处理: 粉末喷涂, 灰色  
 防护等级: IP65(配合)



T1460320129-000	H32B-SDR-BO-PG29	PG29	-
T1460320132-000	H32B-SDR-BO-M32	M32	-
T1460320229-000	H32B-SDR-BO-2PG29	PG29	PG29
T1460320232-000	H32B-SDR-BO-2M32	M32	M32
ASSEMBLY PART NUMBER	ASSEMBLY PART DESCRIPTION	IG1	IG2

THIS DRAWING IS A CONTROLLED DOCUMENT.

DWN DAVID LI 04JUN2015	TE Connectivity
CHK CHRIS WANG 04JUN2015	
APVD XU XIANG 04JUN2015	
NAME H32B-SDR-BO-PG/M	
PRODUCT SPEC 108-137013	SIZE A2
APPLICATION SPEC 114-137013	CAGE CODE -
MATERIAL -	DRAWING NO. C-T1460320XXX000
FINISH -	RESTRICTED TO
CUSTOMER DRAWING	SCALE 7:10
	SHEET 1 OF 1
	REV B

单击下面可查看定价，库存，交付和生命周期等信息

[>>TE Connectivity\(泰科\)](#)