

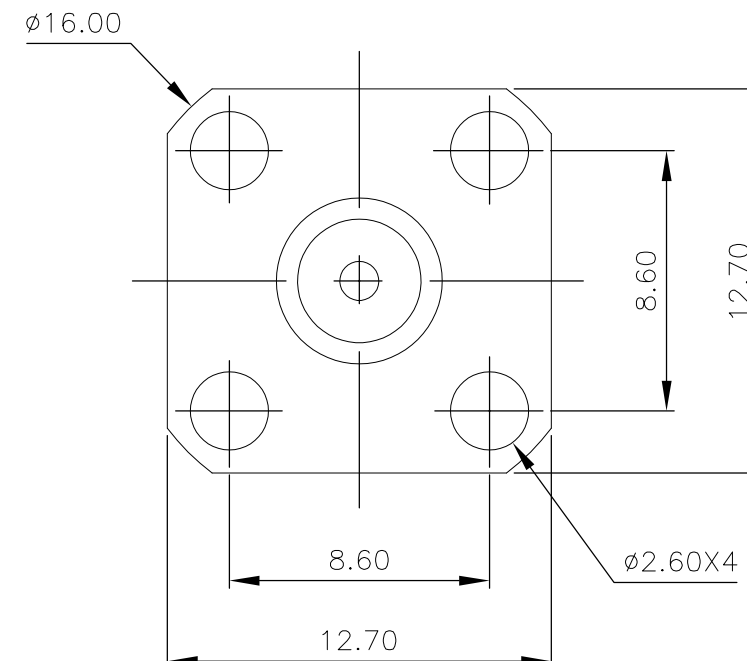
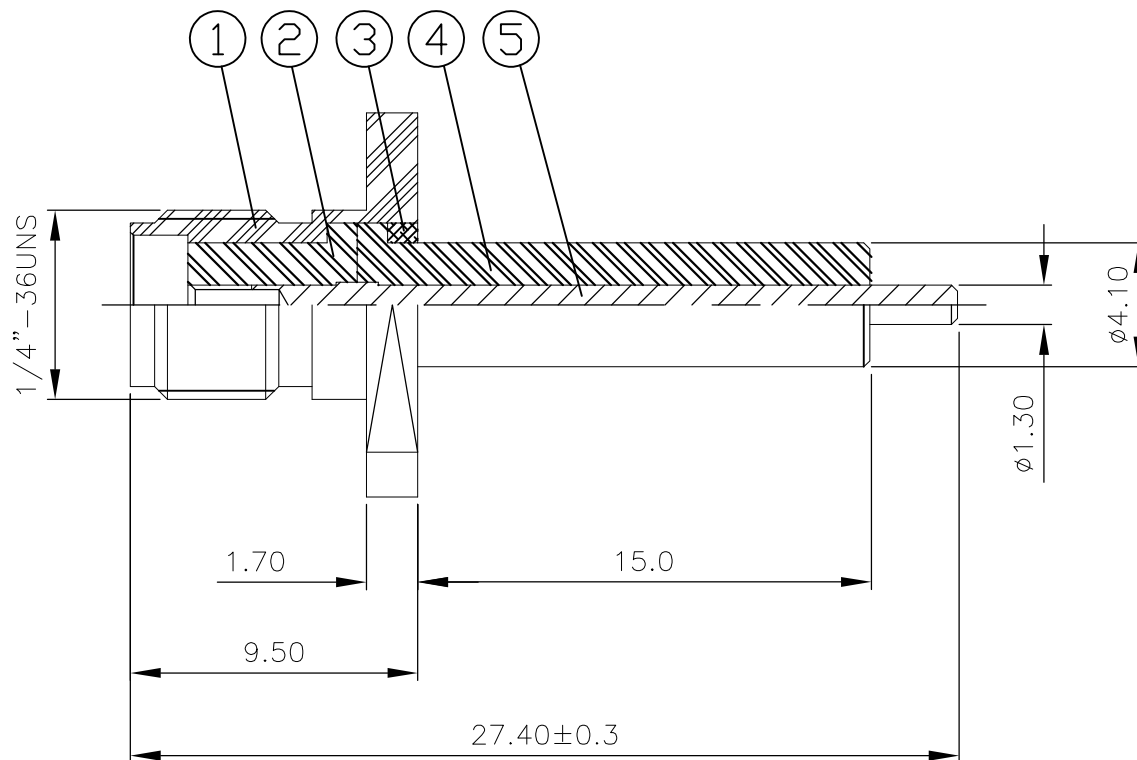
THIS DRAWING IS UNPUBLISHED. RELEASED FOR PUBLICATION APRIL, 2004.

© COPYRIGHT 2004 By - ALL RIGHTS RESERVED.

LOC	DIST	REVISIONS					
E	B	P	LTR	DESCRIPTION	DATE	DWN	APVD
			A1	REVISED PER ECO-11-005033	31MAR11	RK	HMR

NOTES:

- ① SINGLE PACK IN ACCORDANCE WITH SPEC 107-3275
- ② 100 TRAY PACK IN ACCORDANCE WITH SPEC 107-3275
- ③ 0.08μm Au PLATING OVER 1.27μm Ni PLATING
- ④ 0.08μm Au PLATING OVER 1.27μm Ni PLATING OVER 0.76μm Cu PLATING
- ⑤ 0.76μm Au PLATING OVER 1.27μm Ni PLATING OVER 0.76μm Cu PLATING
- ⑥ PASSIVATED
- ⑦ WHITE BRONZE PLATING
- 8 FOR TECHNICAL DATA REFER TO YOUR LOCAL TE CONNECTIVITY SALES OFFICE
- 9 ALL DIMENSIONS ARE NOMINAL FOR REFERENCE ONLY UNLESS OTHERWISE STATED



1	1	1	1	1	1	1	1	BERYLLIUM COPPER	⑤	CENTER SOCKET	5
1	1	1	1	1	1	1	1	PTFE		INSULATOR	4
1	1	-	-	-	-	-	-	BRASS	⑦	WASHER	3
-	-	1	1	-	-	-	-	BRASS	④	WASHER	3
-	-	-	-	1	1	-	-	STAINLESS STEEL	⑥	WASHER	3
-	-	-	-	-	-	1	1	STAINLESS STEEL	③	WASHER	3
1	1	1	1	1	1	1	1	PTFE		INSULATOR	2
1	1	-	-	-	-	-	-	BRASS	⑦	BODY	1
-	-	1	1	-	-	-	-	BRASS	④	BODY	1
-	-	-	-	1	1	-	-	STAINLESS STEEL	⑥	BODY	1
-	-	-	-	-	-	1	1	STAINLESS STEEL	③	BODY	1
4--1	4--0	3--1	3--0	2--1	2--0	1--1	1--0	MATERIAL		DESCRIPTION	ITEM
②	①	②	①	②	①	②	①				

THIS DRAWING IS A CONTROLLED DOCUMENT.		DWN R.SMITH 06FEB04	STE TE Connectivity		
DIMENSIONS: mm		CHK S.PARLOW 06FEB04			
TOLERANCES UNLESS OTHERWISE SPECIFIED:		APVD F.WHEELER-KING 06FEB04	NAME SMA PANEL SOCKET LAUNCHER, 4 HOLE FLANGE, CAPTIVE CONTACT		
0 PLC ± -		PRODUCT SPEC	-		
1 PLC ± -		APPLICATION SPEC	-		
2 PLC ± -		WEIGHT	-		
3 PLC ± -			SIZE	CAGE CODE	DRAWING NO
4 PLC ± -			A3	00779	C-1478967
ANGLES ± -			RESTRICTED TO		
FINISH			-		
MATERIAL SEE TABLE			-		
		CUSTOMER DRAWING		SCALE	SHEET
				1:1	1 OF 1
				REV	A1

单击下面可查看定价，库存，交付和生命周期等信息

[>>TE Connectivity\(泰科\)](#)