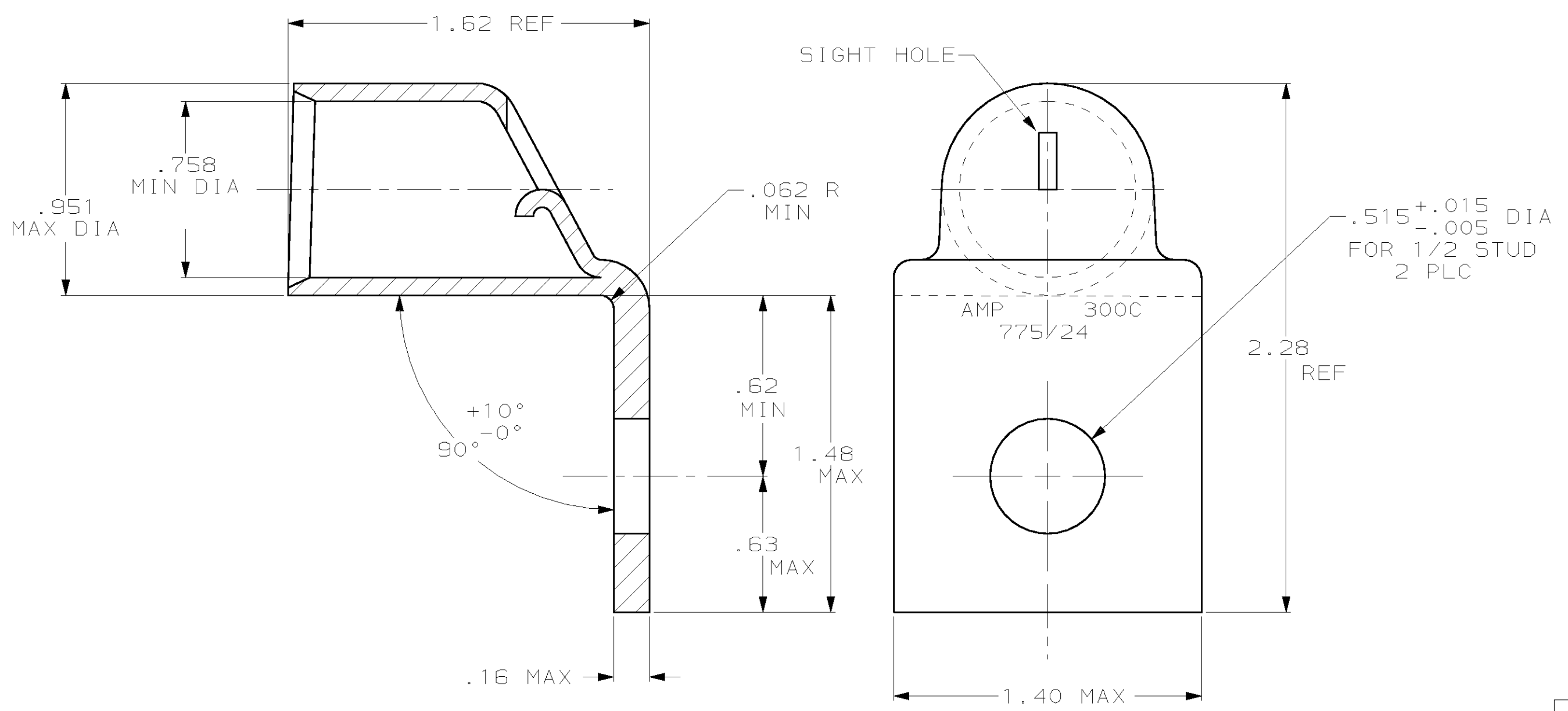


THIS DRAWING IS UNPUBLISHED. RELEASED FOR PUBLICATION ,19 .
 © COPYRIGHT 19 BY AMP INCORPORATED. ALL RIGHTS RESERVED.

LOC		DIST		REVISIONS					
G		86		P	LTR	DESCRIPTION	DATE	DWN	APVD
				A		REL PER 0G3A-0023-02	24APR02	JR	CK



696391-1
AMP
PART NUMBER

AMP INCORPORATED CUSTOMER SERVICE SYSTEMS

FOR ADDITIONAL PRODUCT INFORMATION OR COPIES OF DRAWINGS AND TECHNICAL DOCUMENTS
 PRODUCT INFORMATION CENTER
 1-800-522-6752

FOR APPLICATION TOOLING INFORMATION
 TOOLING ASSISTANCE CENTER
 1-800-722-1111

FOR ORDER ENTRY
 1-800-526-5142

RECOMMENDED OPERATING TEMPERATURE:
170° MAX

VOLTAGE RATING:
NOT APPLICABLE

WIRE CROSS SECTIONAL AREA RANGE:
100.0-125.0mm² [190,000-231,000] CIR MILS
SOLID OR STRANDED

THIS DRAWING IS A CONTROLLED DOCUMENT FOR AMP INCORPORATED. IT IS SUBJECT TO CHANGE AND THE CONTROLLING ENGINEERING ORGANIZATION SHOULD BE CONTACTED FOR THE LATEST REVISION.

DIMENSIONS:
mm [INCHES]

TOLERANCES UNLESS OTHERWISE SPECIFIED:

0 PLC	±-
1 PLC	±-
2 PLC	±-
3 PLC	±-
4 PLC	±-
ANGLES	±-

MATERIAL: COPPER PER ASTM B-188 ANNEALED

FINISH: TIN PLATE 0.00381 [0.00150] MIN THK

DWN: JR RUTH 14DEC01
 CHK: M SPICER 14DEC01
 APVD: M SPICER 14DEC01
 PRODUCT SPEC: 108-30200
 APPLICATION SPEC: -
 WEIGHT: .142 lbs

AMP AMP Incorporated
 Harrisburg, PA 17105-3608

NAME: TERMINAL, AMPOWER, BENT 90
 WIRE SIZE: 300 MCM

SIZE: A3 CAGE CODE: 00779 DRAWING NO: C-696391

SCALE: 2:1 SHEET: 1 OF 1 REV: A

CUSTOMER DRAWING

单击下面可查看定价，库存，交付和生命周期等信息

[>>TE Connectivity\(泰科\)](#)