

4

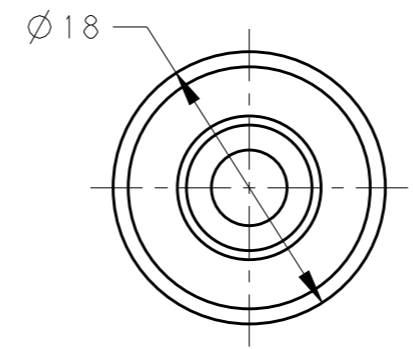
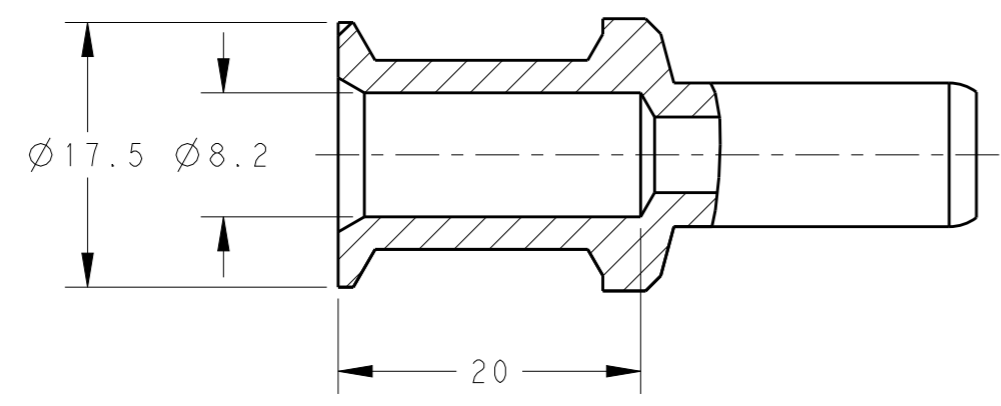
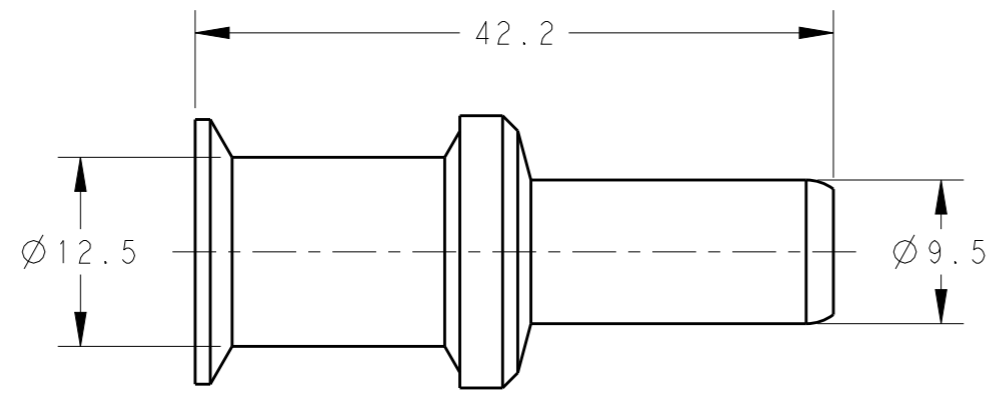
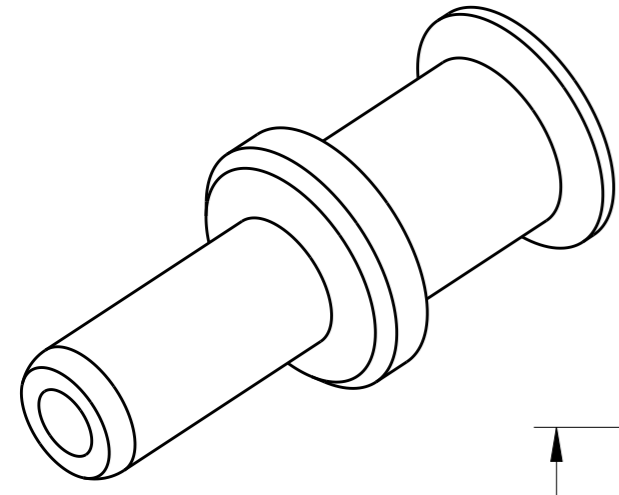
3

2

1

THIS DRAWING IS UNPUBLISHED. RELEASED FOR PUBLICATION 20
 © COPYRIGHT 20 BY - ALL RIGHTS RESERVED.

REVISIONS					
P	LTR	DESCRIPTION	DATE	DWN	APVD
	A	INITIAL	11MAY2015	DW	CW
	A1	ECR-17-018349	14DEC2017	DW	CW



NOTES:
 1. TECHNICAL CHARACTERISTICS:
 CONTACT MATERIAL: BRASS
 SURFACE PLATING:
 SILVER PLATING: $\geq 2\mu\text{m}$
 CONTACT RESISTANCE: $\leq 0.5\text{m}\Omega$
 WIRE RANGE: 35 mm^2
 OPERATION TEMPERATURE: $-40\sim+125^\circ\text{C}$

注释:
 1. 技术参数:
 公针材料: 黄铜
 表面电镀:
 镀银: $\geq 2\mu\text{m}$
 接触电阻: $\leq 0.5\text{m}\Omega$
 接线范围: 35 mm^2
 工作温度: $-40\sim+125^\circ\text{C}$

T2060001035-000	CHM-35	CHM-35, SILVER PLATING HMN-001公针 35mm^2 , 镀银	35	20
PART NUMBER 料号	PART DESCRIPTION 描述		WIRE GAUGE (mm^2) 线规 (mm^2)	STRIPPING LENGTH (mm) 剥线长度 (mm)
THIS DRAWING IS A CONTROLLED DOCUMENT.		DWN 11MAY2015 David Wang		
DIMENSIONS: mm		CHK 11MAY2015 Chris Wang		
TOLERANCES UNLESS OTHERWISE SPECIFIED:		APVD 11MAY2015 Xiang Xu	NAME CHM-35 HM PIN CONTACT	
0 PLC \pm -		PRODUCT SPEC 108-137057	SIZE	
1 PLC \pm -		APPLICATION SPEC 114-137057	CAGE CODE	
2 PLC \pm -		WEIGHT	DRAWING NO	
3 PLC \pm -		Customer Drawing	RESTRICTED TO	
4 PLC \pm -			A300779	
ANGLES \pm -			G-T2060001035000	
FINISH			SCALE 2:1	
-			SHEET 1 OF 1	
-			REV A1	

单击下面可查看定价，库存，交付和生命周期等信息

[>>TE Connectivity\(泰科\)](#)