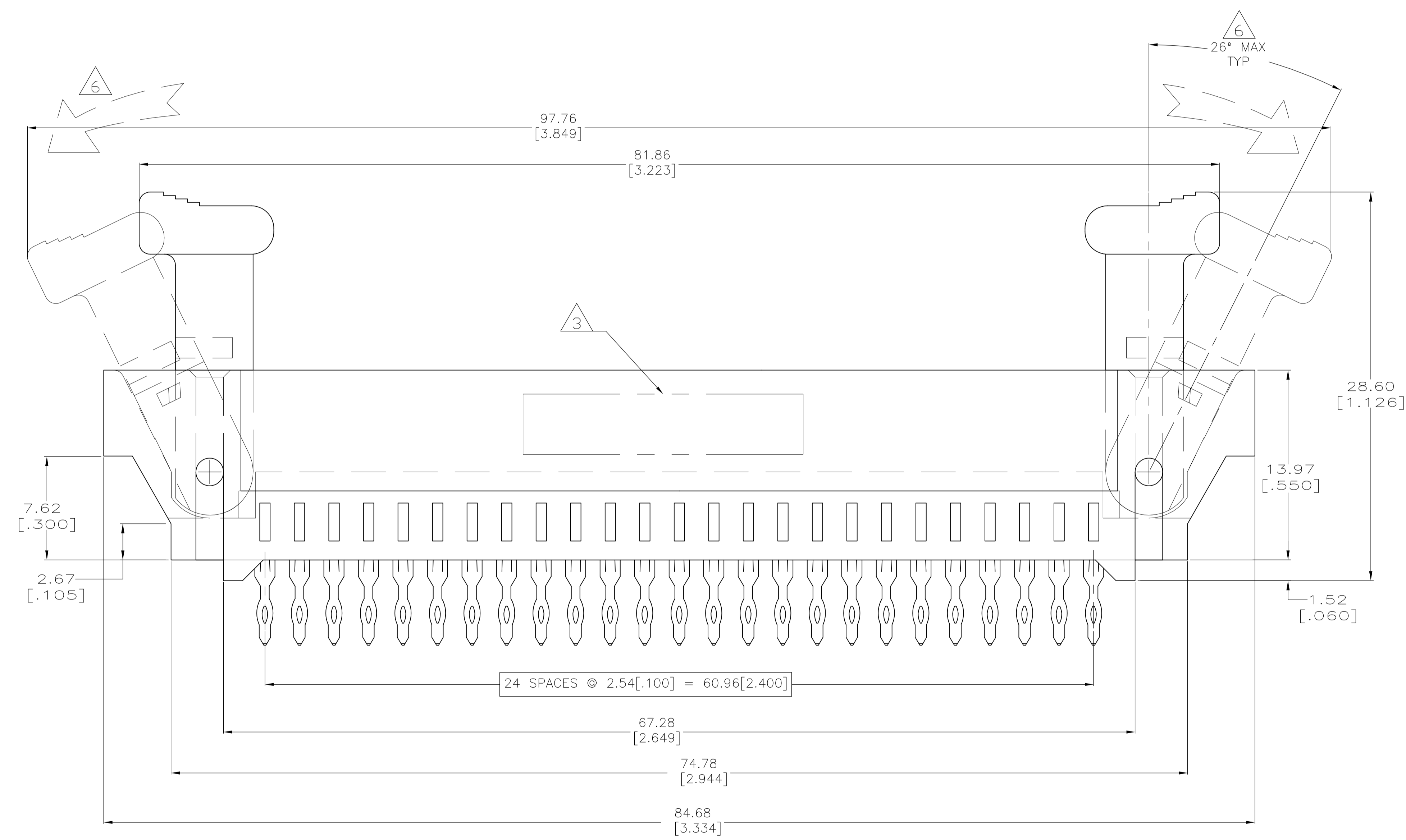
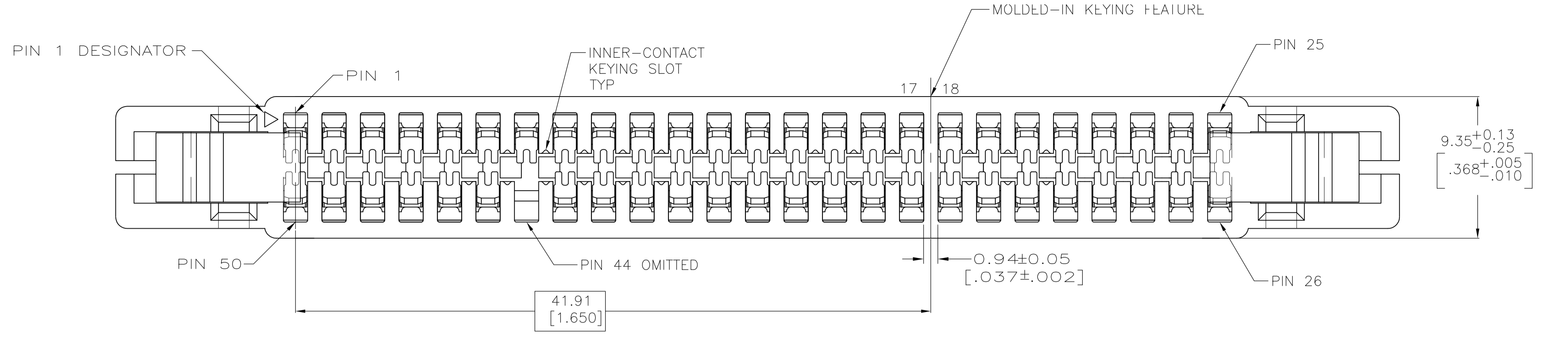
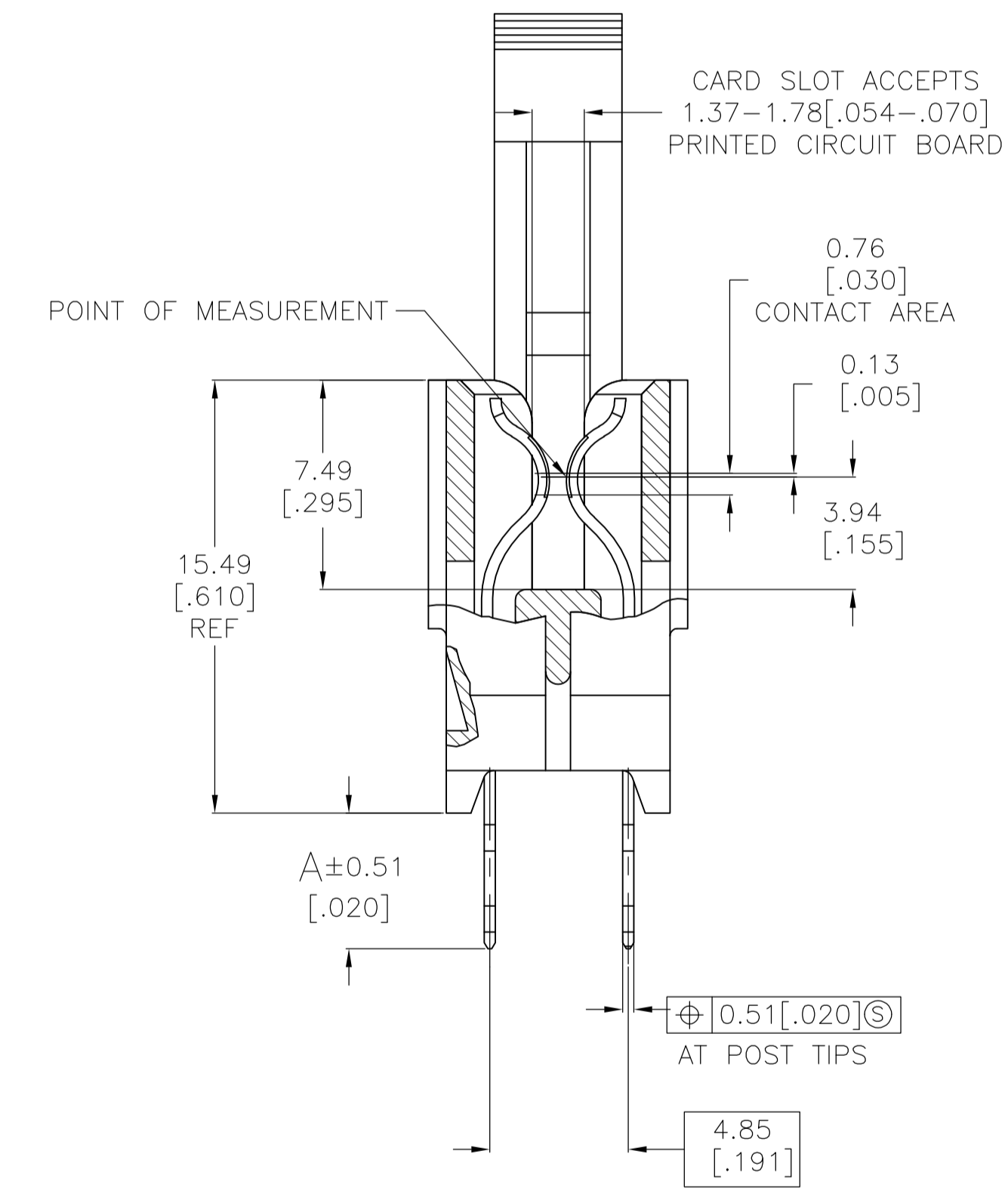


LOC		DIST		REVISIONS			
P	LTR	DESCRIPTION	DATE	DMN	APVD		
C		ECO-07-029491	04MAR2008	LAM	AWF		
C1		REVISED PER ECO-09-024927	10NOV09	KK	AEG		



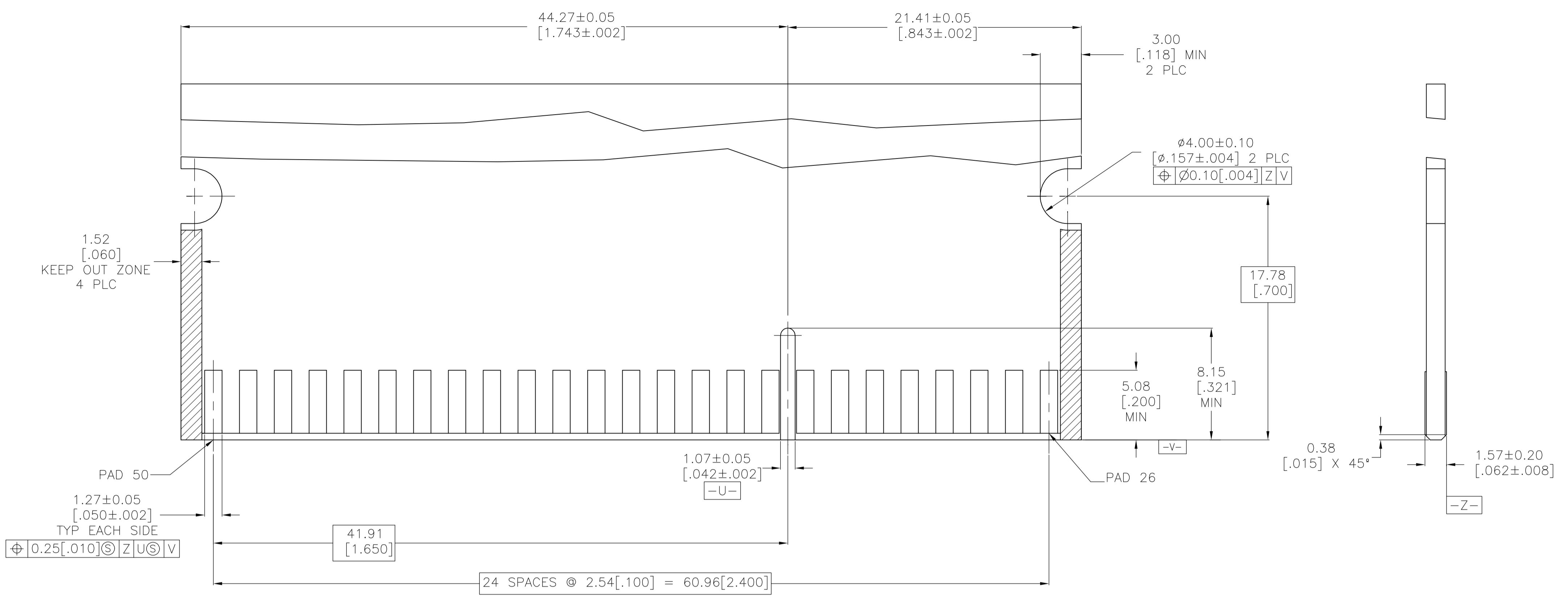
- MATERIAL:
HOUSING: GLASS FILLED POLYESTER; COLOR: BLACK.
CONTACT: HIGH CONDUCTIVITY COPPER ALLOY
LATCH: GLASS FILLED POLYESTER, COLOR: BLACK
- FINISH:
0.00076[.000030] MIN GOLD PLATE IN CONTACT AREA,
0.00254[.000100] MIN MATTE TIN ON SOLDER POSTS, ALL
OVER 0.00127[.000050] MIN NICKEL
- AMP LOGO, TE PART NUMBER, DATE CODE AND CSA LOGO INK STAMPED WHITE (HOT STAMPED OR LAZER PRINTED) IN THE APPROXIMATE AREA SHOWN, EITHER SIDE PERMISSABLE, WHEN HOUSING SIZE PERMITS
- DATUMS AND BASIC DIMENSIONS ESTABLISHED BY CUSTOMER
- CONNECTORS SHOWN ARE USED IN APPLICATIONS WITH VRM MODULES WEIGHING 3 OUNCES OR LESS. ALTERNATE CONNECTOR AND LATCH METHOD IS AVAILABLE FOR VRM MODULES WEIGHING UP TO 6 OUNCES.
- CAUTION: LATCHES ARE INTENDED FOR RETENTION OF PC BOARD TO CONNECTOR, DO NOT ATTEMPT TO FULLY EJECT PC BOARD FROM CONNECTOR WHILE DISENGAGING LATCHES. DAMAGE TO LATCHES AND OR CONNECTOR MAY OCCUR
- RECOMMENDED FINISHED HOLE SIZES:
TIN PLATED HOLE - $\varnothing 1.02 \pm 0.08 [\varnothing 0.040 \pm .003]$
GOLD PLATED - $\varnothing 1.07 \pm 0.05 [\varnothing 0.042 \pm .002]$
- OBSOLETE PARTS: OBSOLETE CIS STREAMLINING PER D.RENAUD/D.SINISI



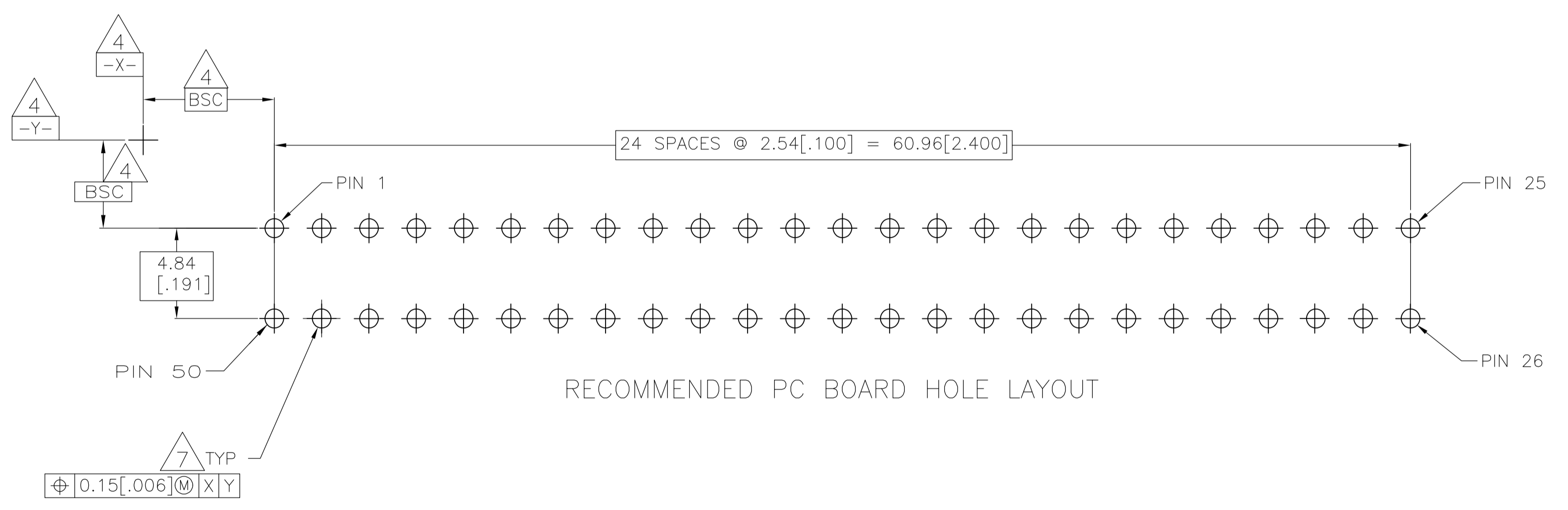
OBSOLETE	6489649-3
OBSOLETE	6489649-2
	PART NUMBER

8	OBSOLETE	8.5, +12v	4.75 [.187]	25	-6489649-4-
		8.5, +12v	3.18 [.125]	25	6489649-1
	VRM DESIGNATION	A	NO OF POSITIONS		PART NUMBER

THIS DRAWING IS A CONTROLLED DOCUMENT.		DIN AWF/L.A.MAYER 04MAR2008		Tyco Electronics Corporation Harrisburg, PA 17105-3608	
DIMENSIONS: mm [INCHES]		TOLERANCES UNLESS OTHERWISE SPECIFIED:		Tyco Electronics Corporation	
0 PLC ± -		1 PLC ± -		AWF/L.A.MAYER 04MAR2008	
1 PLC ± -		2 PLC ± 0.13[.005]		A.W.FRANTUM 04MAR2008	
2 PLC ± -		3 PLC ± -		S.FLICKINGER 04MAR2008	
3 PLC ± -		4 PLC ± -		NAME	
4 PLC ± -		ANGLES ± ±		PRODUCT SPEC	
MATERIAL SEE NOTE 1		FINISH SEE NOTE 2		108-9039-1	
				APPLICATION SPEC	
				114-13018	
				SIZE	
				A1 00779	
				C=6489649	
				RESTRICTED TO	
				CUSTOMER DRAWING	
				SCALE 5:1 SHEET 1 OF 2 REV C1	



RECOMMENDED MATING BOARD EDGE CONFIGURATION



RECOMMENDED PC BOARD HOLE LAYOUT

THIS DRAWING IS A CONTROLLED DOCUMENT.		DIN AWF/L.A.MAYER 04MAR2008	Tyco Electronics Corporation Harrisburg, PA 17105-3608	
DIMENSIONS: mm [INCHES]		CHK A.W.FRANTUM 04MAR2008	NAME S.FLICKINGER 04MAR2008	
TOLERANCES UNLESS OTHERWISE SPECIFIED:		PRODUCT SPEC		
0 PLC ± -		108-9039-1		
1 PLC ± -		APPLICATION SPEC		
2 PLC ± 0.13[.005]		114-13018		
3 PLC ± -		SIZE CAGE CODE DRAWING NO RESTRICTED TO		
4 PLC ± -		A1 00779 6489649		
ANGLES ± °		WEIGHT -		
MATERIAL SEE NOTE 1	FINISH SEE NOTE 2	CUSTOMER DRAWING		
		SCALE 5:1	SHEET 2 OF 2	REV C1

单击下面可查看定价，库存，交付和生命周期等信息

[>>TE Connectivity\(泰科\)](#)