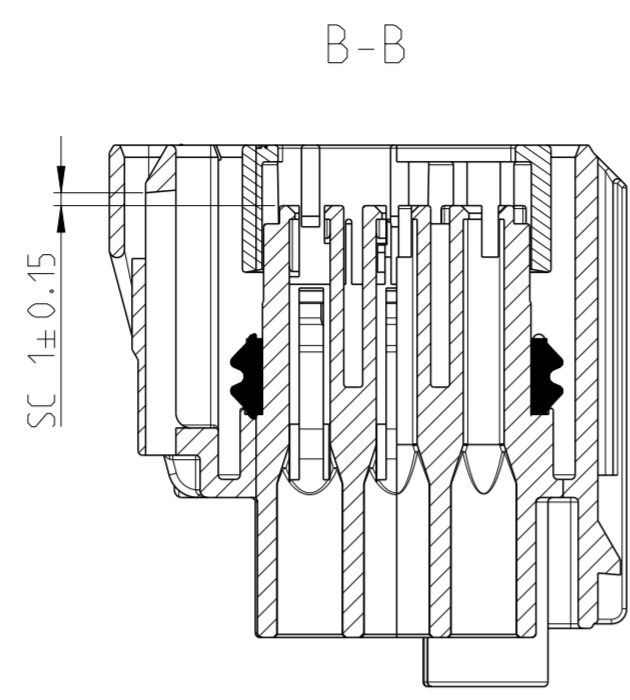
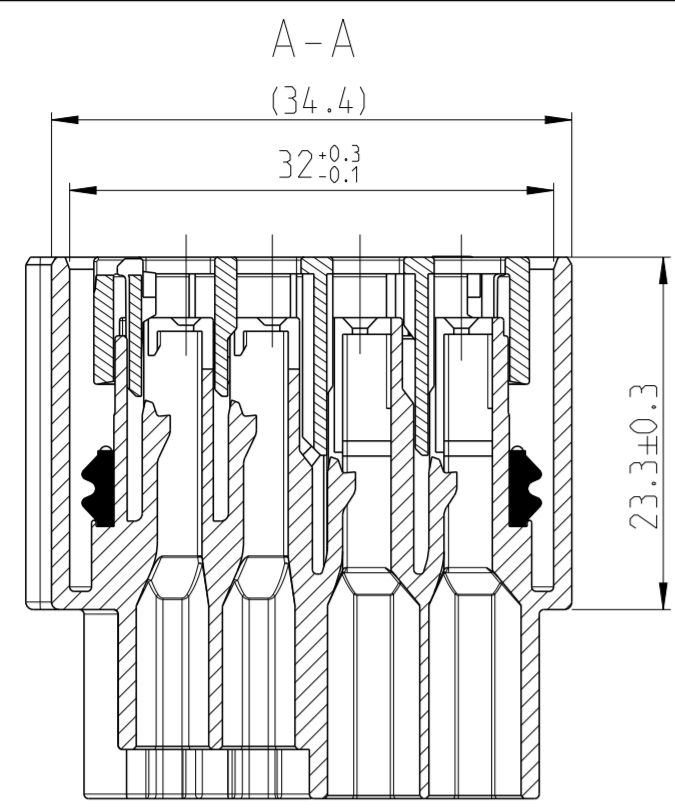


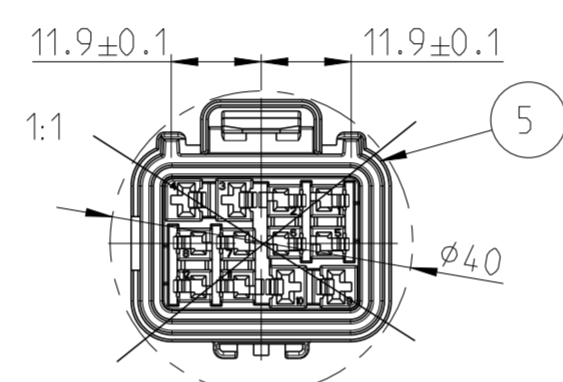
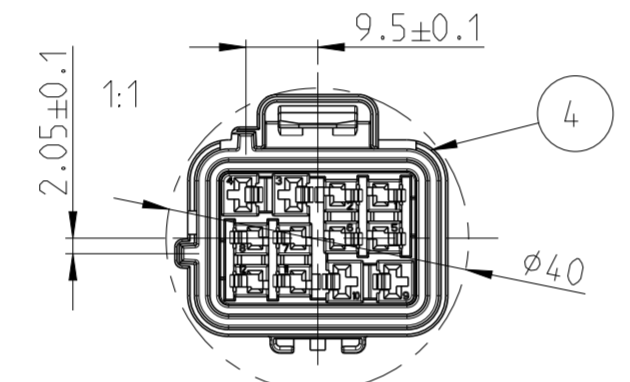
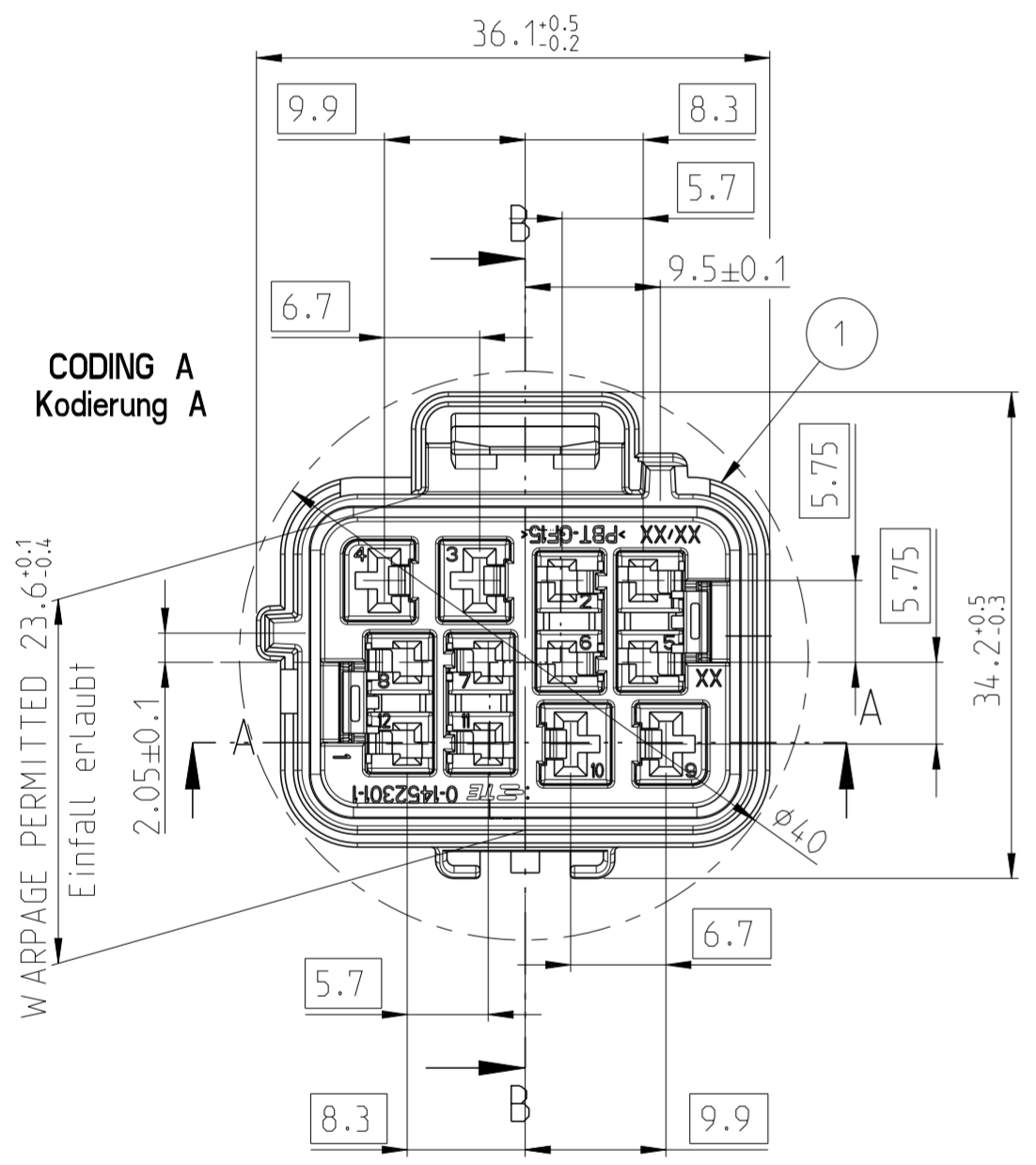
LOC	DIST	REVISIONS					
		P	LTR	DESCRIPTION	DATE	DWN	APVD
A1	-	G1		ECR-07-012716	30MAY2007	GP	GM
		G2		ECR-20-012259	31AUG2020	VKS	KR



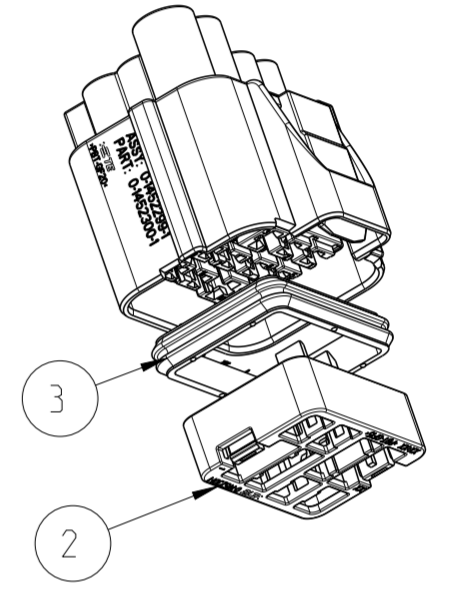
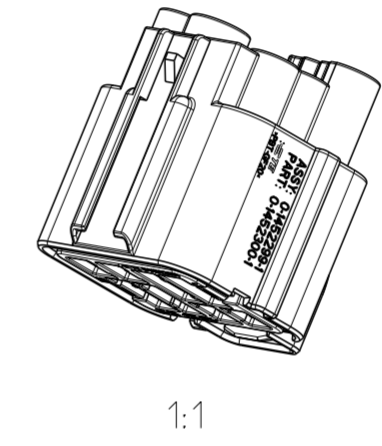
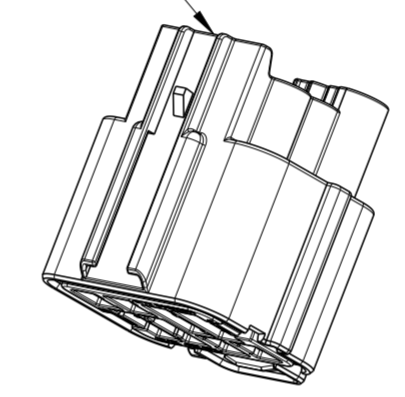
1	2	3	4	5	6	7	8	9	10	11	12	ASSY NO	CODING
					X	X	X	X	X			2-1452299-1	B
X	X	X	X	X	X	X	X	X	X	X	X	0-1452299-3	C
X	X	X	X	X	X	X	X	X	X	X	X	0-1452299-2	B
X	X	X	X	X	X	X	X	X	X	X	X	0-1452299-1	A

WITH "X" MARKED INDICATE OPEN LOCATIONS FOR TERMINALS  
Markierte Felder mit "X" kennzeichnen offene Kammern fuer Kontakte  
BLANKED CAVITIES INDICATE CLOSED LOCATIONS  
Leere Felder kennzeichnen geschlossene Kammern

1.5MM FEMALE TERMINAL SEALED  
SUITABLE TERMINALS: FORD CAT2 (SUPPLIER YAZAKI)  
2.8MM FEMALE TERMINAL SEALED  
SUITABLE TERMINALS: FORD CAT3 (SUPPLIER YAZAKI OR TYCO)



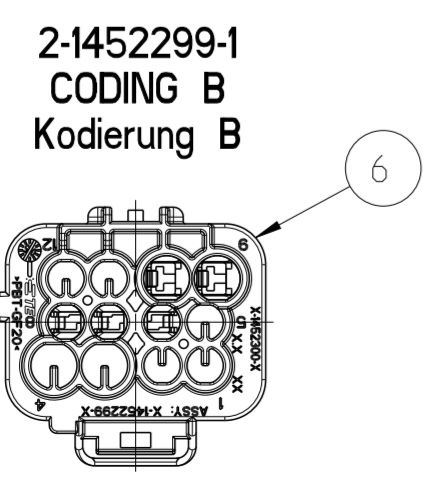
OPTINAL FEATURES:  
Optionale Merkmale:



NOTES:  
Bemerkungen:  
1 DELIVERY CONDITION: SPACER IN PRE LOCK POSITION  
Anlieferungszustand: Spacer in Vorraststellung  
SC SIGNIFICANT CHARACTERISTIC  
Significantes Merkmal

G2 APPLICABLE COMPONENTS				
ITEM	DESCRIPTION	PLATING/MATERIAL	TE PART NO.	YAZAKI PART NO.
1	1.5mm FEMALE TERMINAL SYSTEM (0.35-0.5mm2)	TIN	-	7116-4102-02
	1.5mm FEMALE TERMINAL SYSTEM (0.75-1.0mm2)	TIN	-	7116-4103-02
2	WIRE SEAL (1.5mm) (0.35-0.5mm2) (RED)	SILICONE	-	7158-3030-50
3	WIRE SEAL (1.5mm) (0.75-1.0mm2) (BLUE)	SILICONE	-	7158-3031-90
4	BLIND PLUG (1.5mm) (GREEN)	SILICONE	-	7158-3032-60
5	2.8mm FEMALE TERMINAL SYSTEM (0.35mm2)	TIN	0-1326032-1	-
	2.8mm FEMALE TERMINAL SYSTEM (0.5mm2)	TIN	0-1326032-2	-
	2.8mm FEMALE TERMINAL SYSTEM (0.75-1.0mm2)	TIN	0-1326032-3	-
	2.8mm FEMALE TERMINAL SYSTEM (AW G16)	TIN	0-1326032-4	-
	2.8mm FEMALE TERMINAL SYSTEM (1.5-2.5mm2)	TIN	0-1326032-5	-
6	WIRE SEAL (2.8mm) (0.35-0.5mm2) (GREEN)	SILICONE	-	7158-3111-60
7	WIRE SEAL (2.8mm) (0.75-1.0mm2) (YELLOW)	SILICONE	-	7158-3112-70
8	WIRE SEAL (2.8mm) (1.5-2.5mm2) (WHITE)	SILICONE	-	7158-3113-40
9	BLIND PLUG (2.8mm) (BLUE)	SILICONE	-	7158-3114-90

QTY	DESCRIPTION	REVISION	WEIGHT	COLOUR	ITEM NO
1x	PBT-GF20 FEMALE HSG. CODING B			green	6
1x	PBT-GF20 FEMALE HSG. CODING C			nature	5
1x	PBT-GF20 FEMALE HSG. CODING B			green	4
1x	SILICON PERIPHERAL SEAL			orange	3
1x	PBT-GF15 SPACER			red	2
1x	PBT-GF20 FEMALE HSG. CODING A			black	1
G	REVISION OF EACH ASSY NO (WHEN BLANK, USE DWG REVISION)	G	G		
19.2	WEIGHT OF EACH ASSY NO [g]	19.2	19.2		
2-1452299-1	TYCO ASSY PN	0-1452299-3	0-1452299-2	0-1452299-1	
B	CODING	C	B	A	
2-1452303-1	MATING COMPONENT TYCO ASSY PN	0-1452303-3	0-1452303-2	0-1452303-1	
	PARTS LIST				



-1 AS SHOWN  
wie gezeichnet

THIS DRAWING IS A CONTROLLED DOCUMENT FOR TYCO ELECTRONICS CORPORATION  
IT IS SUBJECT TO CHANGE AND THE CONTROLLING ENGINEERING ORGANIZATION  
SHOULD BE CONTACTED FOR THE LATEST REVISION.

DWN S. Denter 15JUL2002  
CHK G. PUCKEL 04OCT2002  
APVD G. MUMPER 04OCT2002

tyco Electronics tyco Electronics AMP GmbH  
D - 64625 Bensheim

NAME 12 POS. INLINER TO REAR BUMPER CON.  
ASSY FEMALE HOUSING

SIZE A2 CAGE CODE 00779 DRAWING NO G-1452299 RESTRICTED TO

WEIGHT - SCALE 2:1 SHEET 1 OF 1 REV G2

CUSTOMER DRAWING

单击下面可查看定价，库存，交付和生命周期等信息

[>>TE Connectivity\(泰科\)](#)