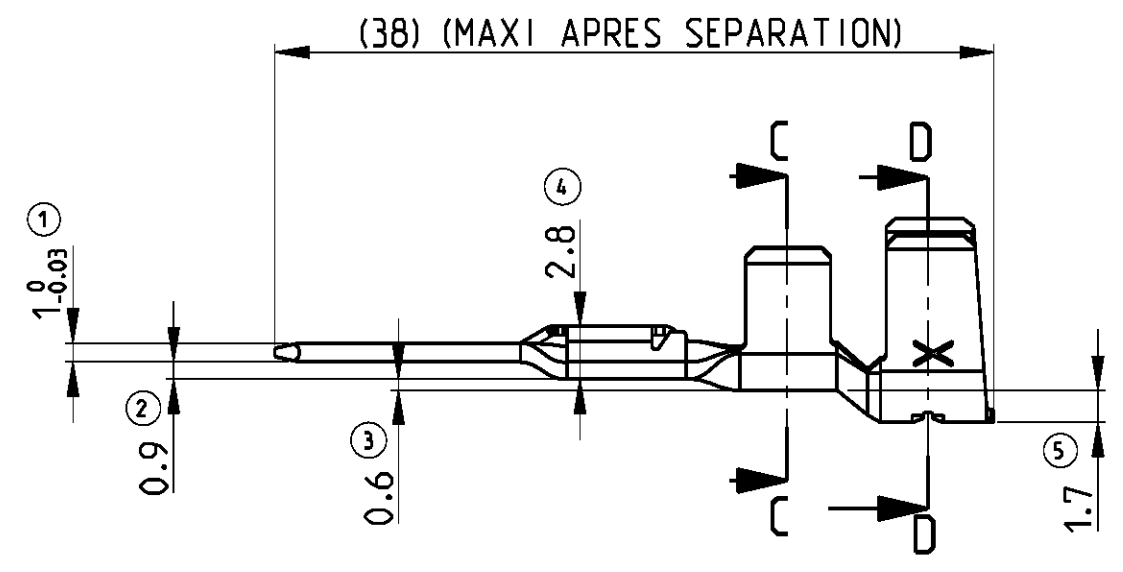
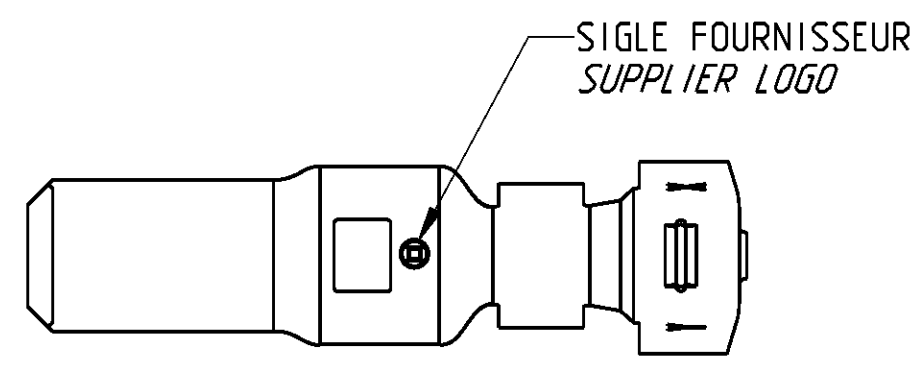
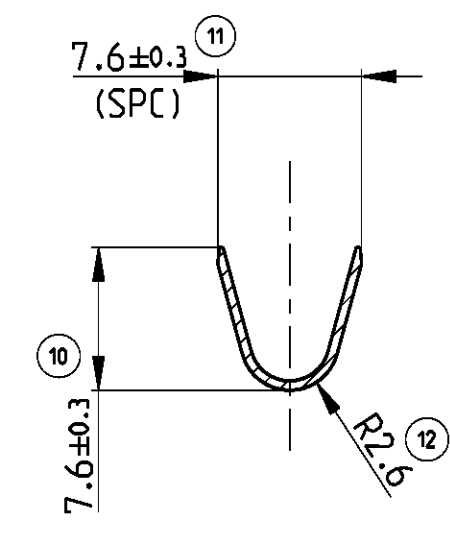


THIS DRAWING IS UNPUBLISHED. / DIFFUSION RESTREINTE
 RELEASED FOR PUBLICATION / LIBRE A LA DIFFUSION
 BY TYCO ELECTRONICS CORPORATION. ALL INTERNATIONAL RIGHTS RESERVED. / TOUS DROITS INTERNATIONAUX RESERVES.

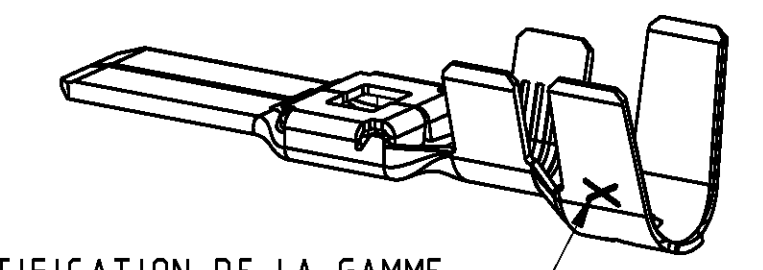
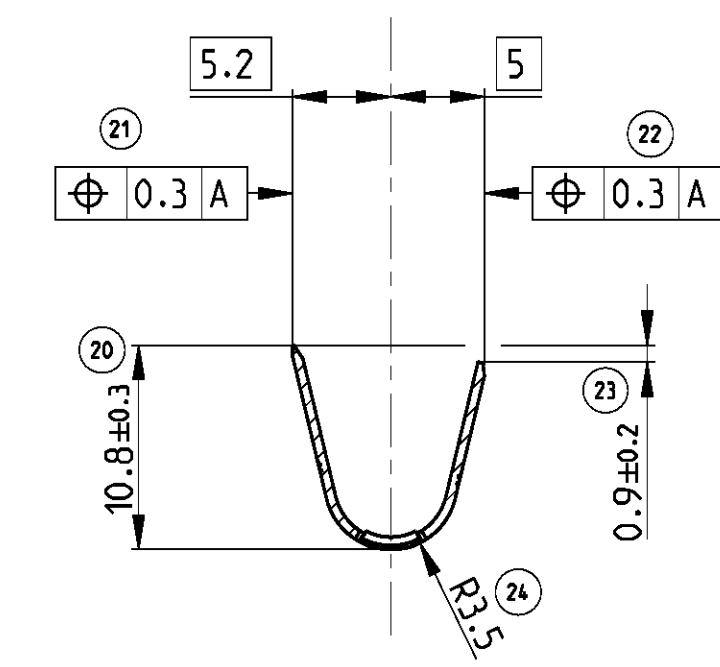
| LOC | | DIST | | REVISIONS | | | | |
|-----|-----|---------------------------|------|-----------|-----------|--|--|--|
| P | LTR | DESCRIPTION MODIFICATIONS | DATE | DWN DESS. | APVD APP. | | | |
| - | | 00 | | | | | | |



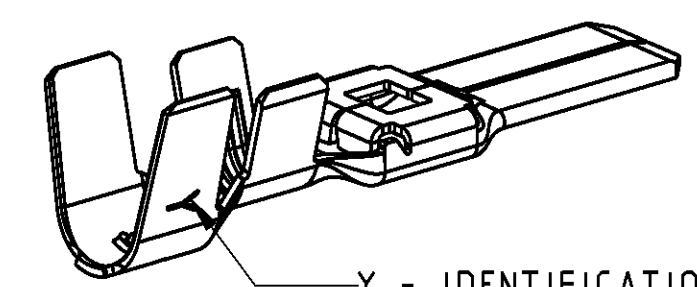
COUPE C-C / SECTION C-C



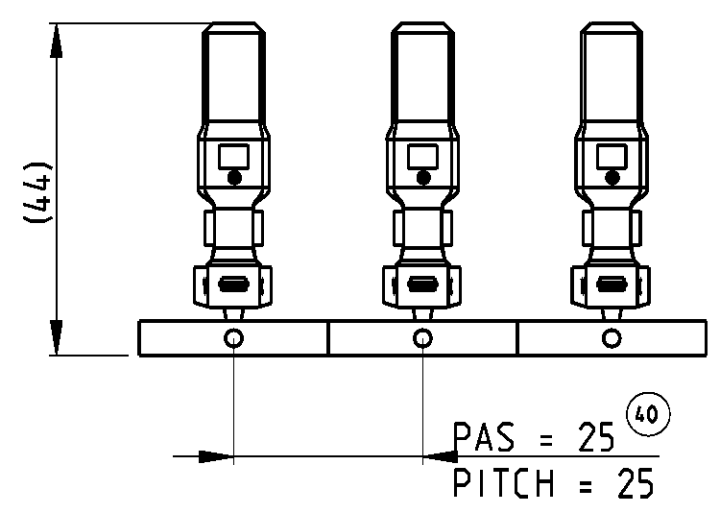
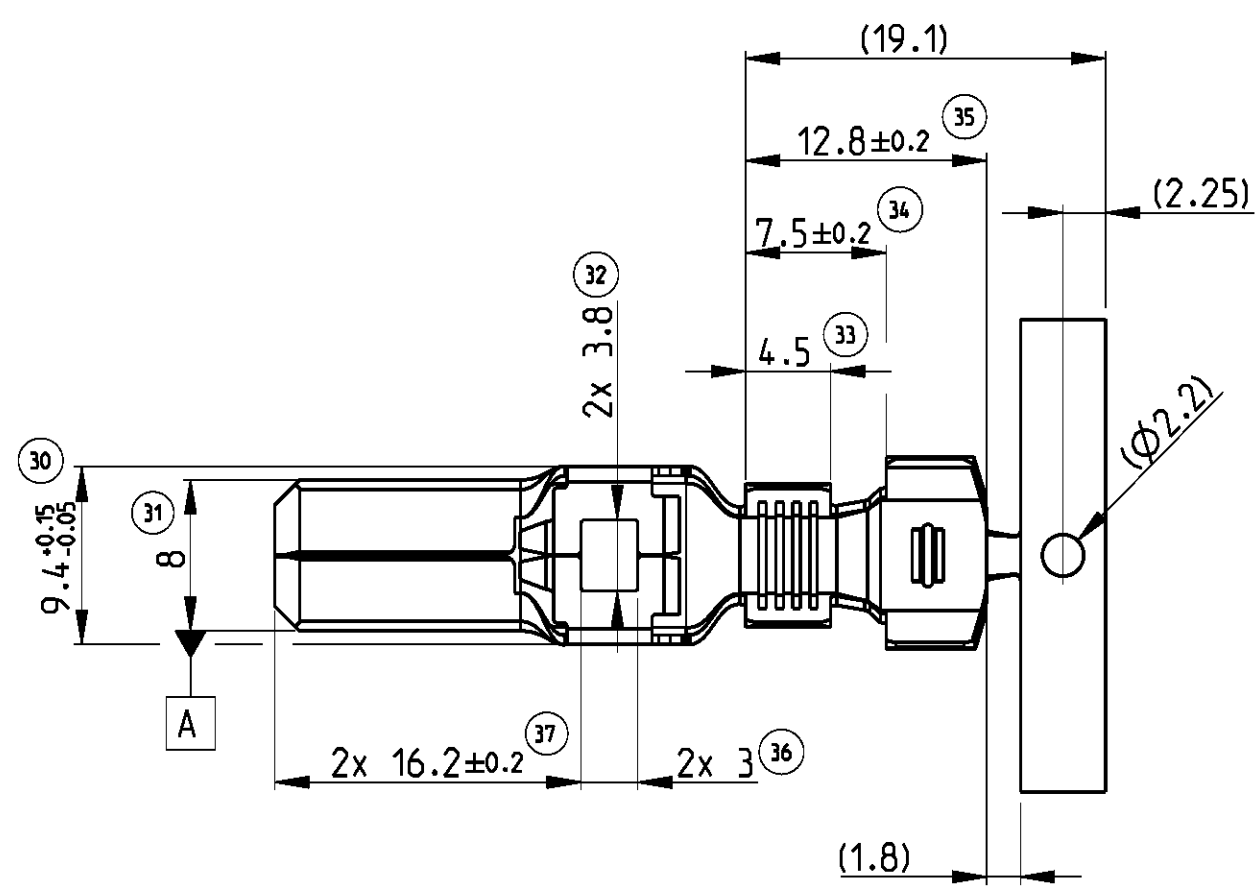
COUPE D-D / SECTION D-D



IDENTIFICATION DE LA GAMME
 "C" = DE 7 A 10 MM2
 WIRE RANGE IDENTIFICATION
 "C" = FROM 7 TO 10 MM2



Y = IDENTIFICATION MATIERE
 EN Cu MICRO ALLIEE, VOIR TABLEAU
 Y = MATERIAL IN Cu MICRO ALLOY
 SEE DESCRIPTION IN TABLE



| NOTA | | NOTES | |
|------|--|-------|--|
| 1 | (X) = POUR INFORMATION | 1 | (X) = FOR INFORMATION |
| 2 | CONDITIONNEMENT : VOIR SPECIFICATION 107-15603 | 2 | PACKAGING : SEE SPECIFICATION 107-15603 |
| 3 | SPC = DIMENSION SUIVIE EN SPC | 3 | SPC = DIMENSION WITH MANUFACTURING CONTROL |

| REFERENCE / PN TYCO Electronics | REFERENCE CLIENT PN CUSTOMER | Y : REPERE MATIERE MATERIAL REPERE | MATIERE MATERIAL | TRAITEMENT DE SURFACE HEAT TREATMENT |
|---------------------------------|------------------------------|------------------------------------|--|--|
| 1544969-1 | | S | CuSnMg SELON SPECIFICATION: 100-421 H02 | PRE-ETAME SnAg DE 1 A 3µ SELON SPECIFICATION 112-73-2 PRE-TINNED SnAg FROM 1 TO 3µ ACCORDING SPECIFICATION 112-73-2 |
| 1544969-2 | | T | CuSnMg ACCORDING TO SPECIFICATION: 100-421 H02 | PRE-ARGENTE Ag DE 1 A 3µ SELON SPECIFICATIONS 212-7, 112-32 ET 118-91 PRE-SILVERED Ag FROM 1 TO 3µ ACCORDING SPECIFICATIONS 212-7, 112-32 AND 118-91 |

| PRODUIT ASSOCIE / APPLIED PRODUCT | | | |
|--|---------------------------------|-------------------------|----------------|
| DESIGNATION DES JOINTS SEALS DESCRIPTION | REFERENCE / PN TYCO Electronics | REFERENCE / PN CUSTOMER | COULEUR COLOR |
| JOINT UNIFILAIRE NG9K 6 A 7 MM2 NG9K SINGLE WIRE SEAL 6 TO 7 MM2 | 1544970-2 | | BLEU / BLUE |
| JOINT UNIFILAIRE NG9K 10 MM2 NG9K SINGLE WIRE SEAL 10 MM2 | 1544970-3 | | JAUNE / YELLOW |
| INTERFACE MONTABILITE / INTERFACE CAVITY | | | |
| | 1801558 | | |

THIS DRAWING IS A CONTROLLED DOCUMENT FOR TYCO ELECTRONICS CORPORATION. IT IS SUBJECT TO CHANGE AND THE CONTROLLING ENGINEERING ORGANIZATION SHOULD BE CONTACTED FOR THE LATEST REVISION.

UNIQUEMENT POUR REFERENCE / UNICAMENTE PARA REFERENCIA

SCALE / ECHELLE: 5:2

SHEET / FEUILLE: 1 OF 1

REV: A

单击下面可查看定价，库存，交付和生命周期等信息

[>>TE Connectivity\(泰科\)](#)