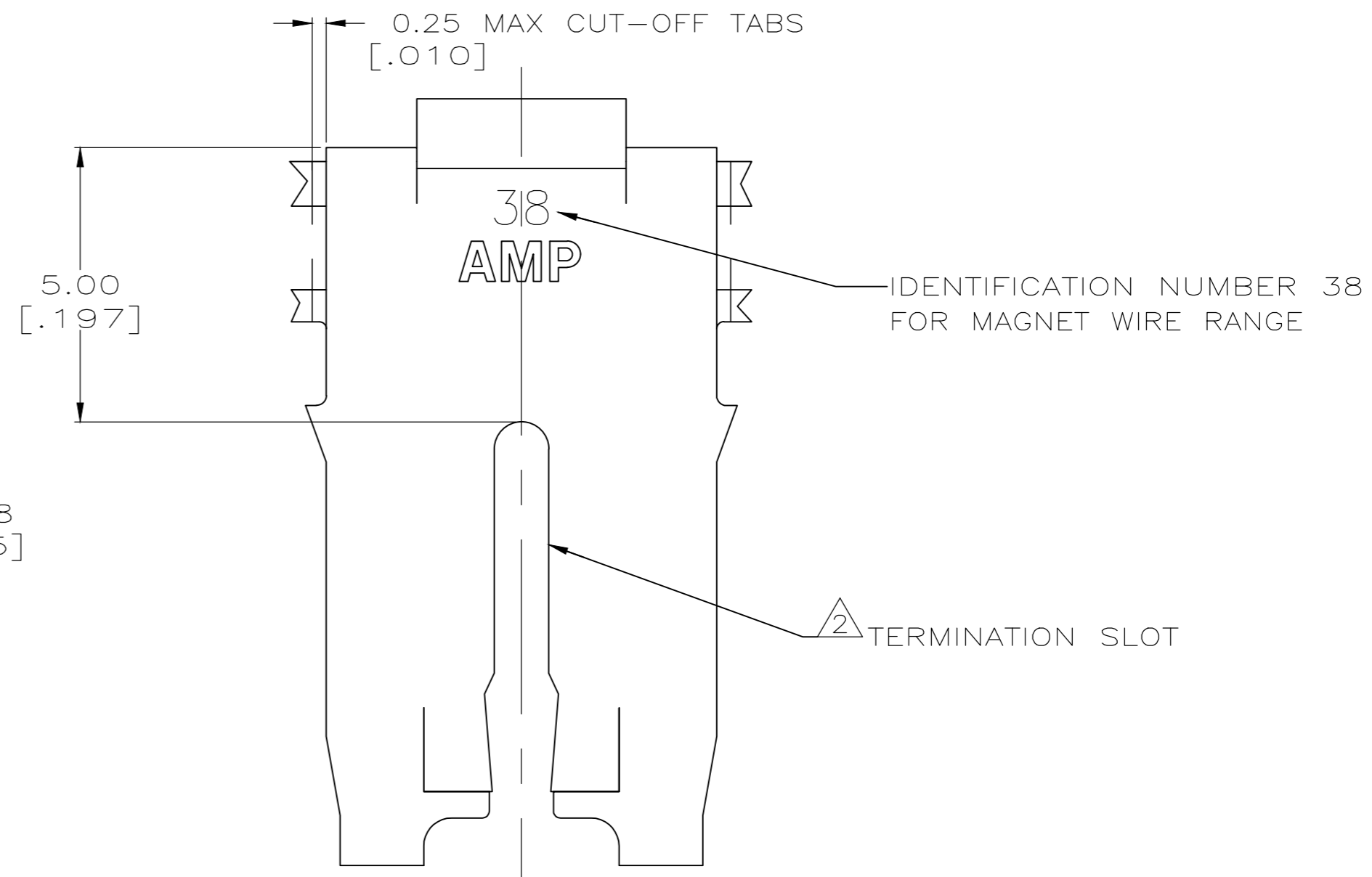
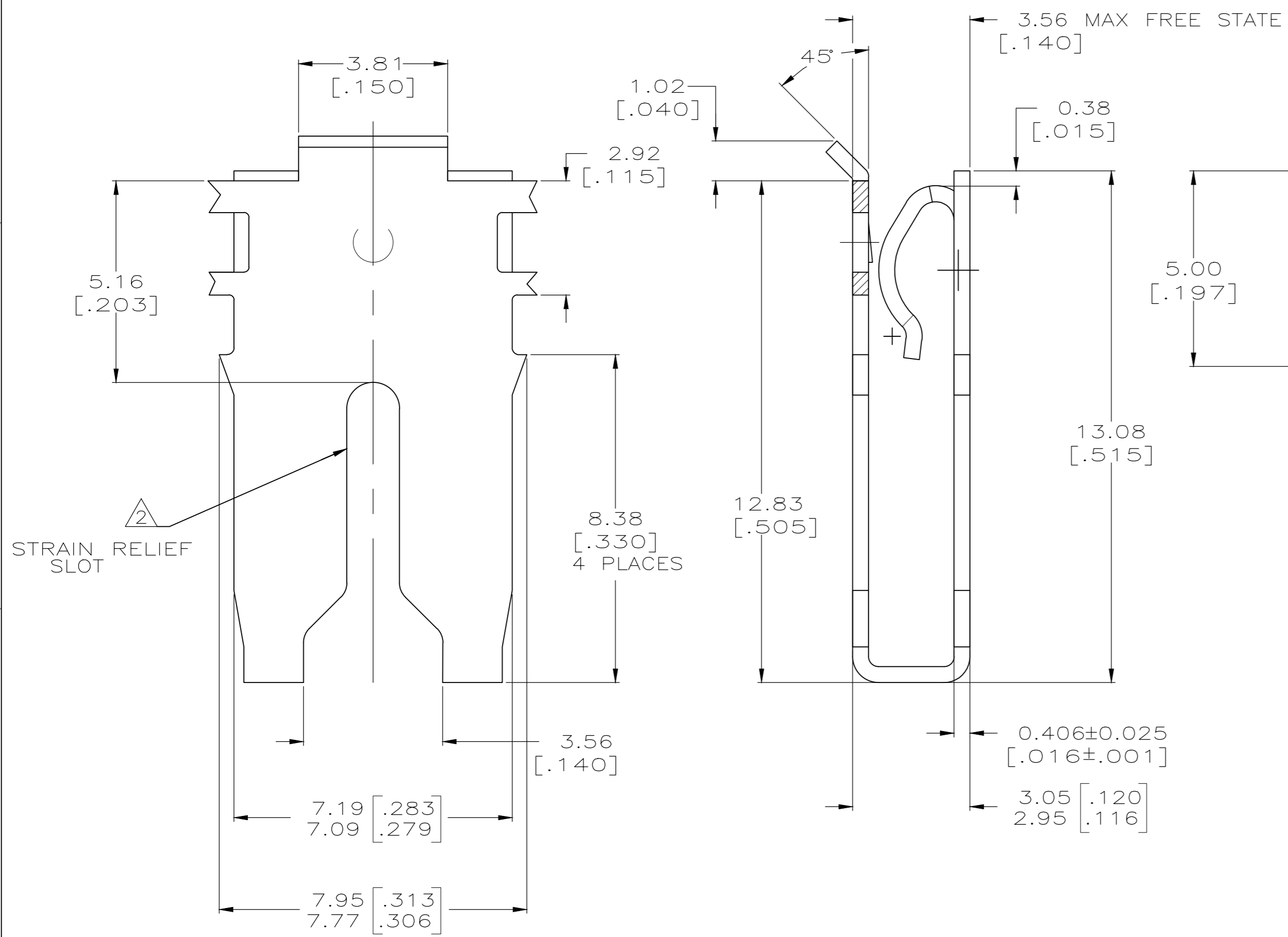
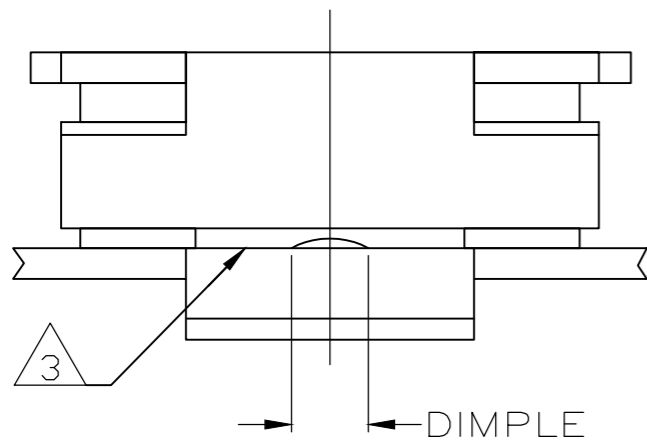


THIS DRAWING IS UNPUBLISHED. RELEASED FOR PUBLICATION
 © COPYRIGHT - By - ALL RIGHTS RESERVED.

REVISIONS				
P	LTR	DESCRIPTION	DATE	APVD
D		FREE STATE DIMENSION UPDATED	01JUL2019	MB PKS

- 1 CONTINUOUS STRIP ON REELS WITH TERMINALS LOCATED ON 10.4 ± 0.08 [.410 ± .003] CENTERS.
- 2 SLOT ACCEPTS 1.29–1.45mm [#16–#15] AWG COPPER MAGNET WIRE. 2 WIRES OF THE SAME SIZE MAX PER SLOT.
- 3 CONTACT LEAF ACCEPTS 0.81 [.032] THICK POKE-IN TAB, (REFERENCE TAB DRAWING 1217324-1).
- 4 TIN PLATE OVER NICKEL.
- 5 TIN PLATE.



5	1217355-2
4	1217355-1
FINISH	PART NUMBER

THIS DRAWING IS A CONTROLLED DOCUMENT.		DWN MICHAEL S. FEHER 12FEB2007	TE Connectivity	
DIMENSIONS: mm [INCHES]		CHK KURT A. RANDOLPH 12FEB2007	NAME SPECIAL LEAF CONTACT, 500 SERIES MAG-MATE	
TOLERANCES UNLESS OTHERWISE SPECIFIED:		APVD KURT A. RANDOLPH 12FEB2007	PRODUCT SPEC 108-2053	
0 PLC ± -	1 PLC ± -	APPLICATION SPEC 114-2066	SIZE A2	CAGE CODE 00779
2 PLC ± 0.25 [.010]	3 PLC ± -	WEIGHT	DRAWING NO C=1217355	RESTRICTED TO -
4 PLC ± -	ANGLES ± -	FINISH -	SCALE 10:1	SHEET 1 of 1
MATERIAL BRASS	CUSTOMER DRAWING		REV D	

单击下面可查看定价，库存，交付和生命周期等信息

[>>TE Connectivity\(泰科\)](#)