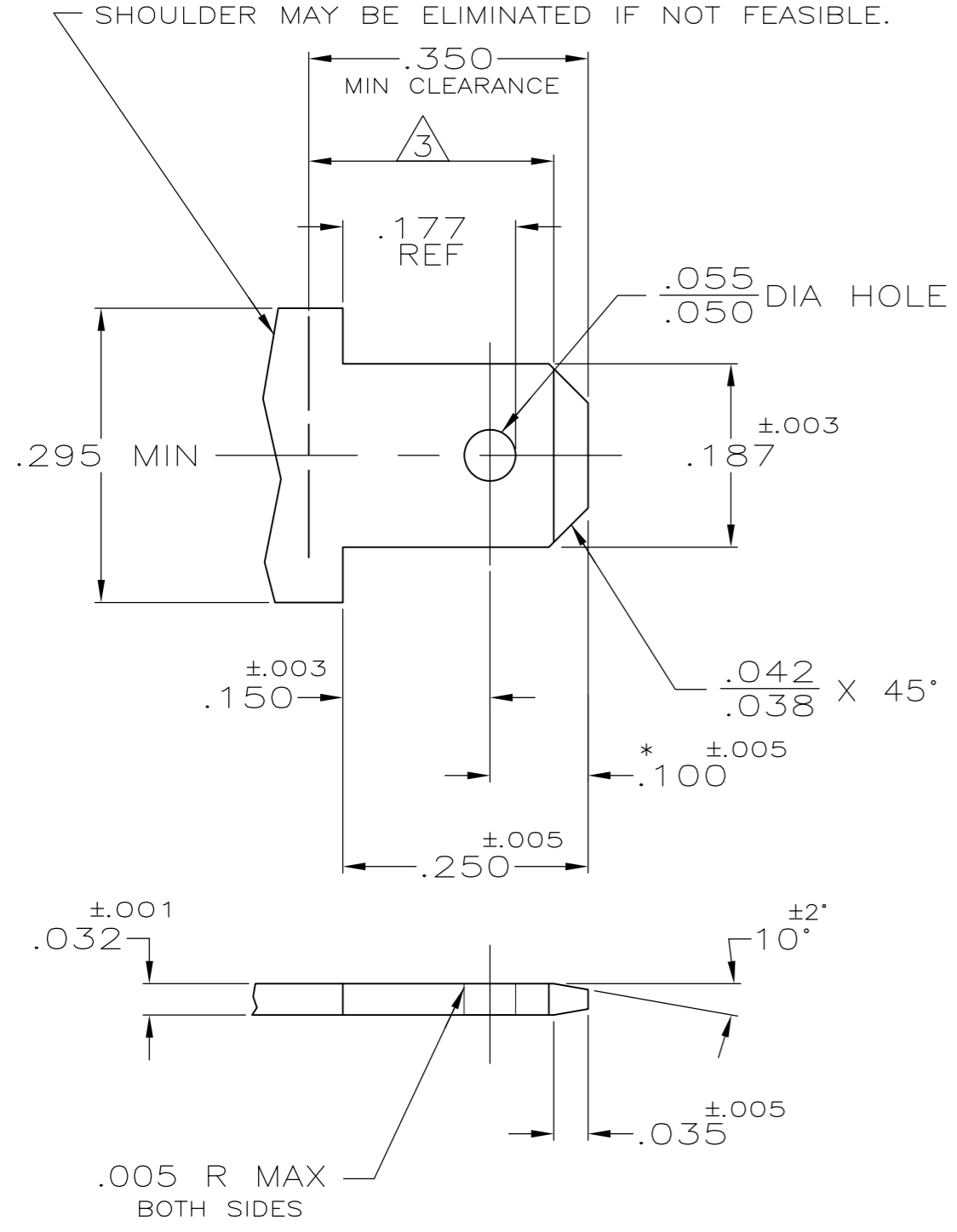


THIS DRAWING IS UNPUBLISHED. RELEASED FOR PUBLICATION
 © COPYRIGHT - By - ALL RIGHTS RESERVED.

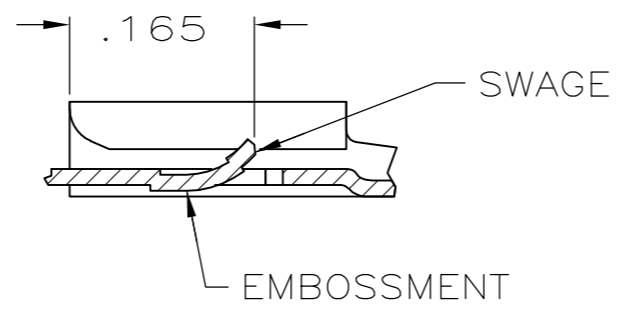
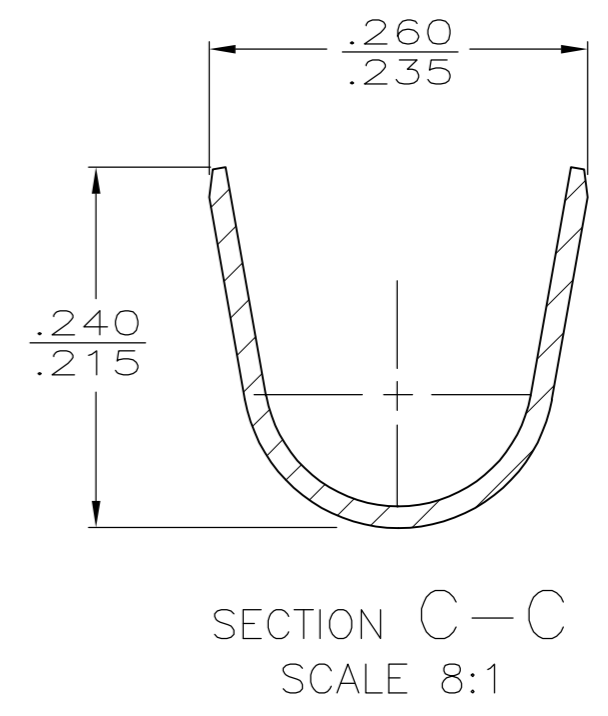
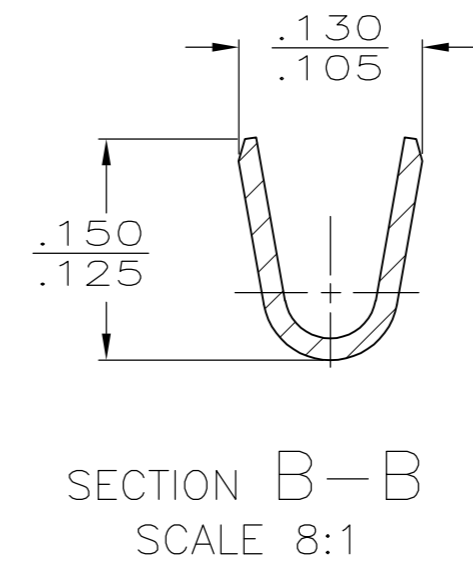
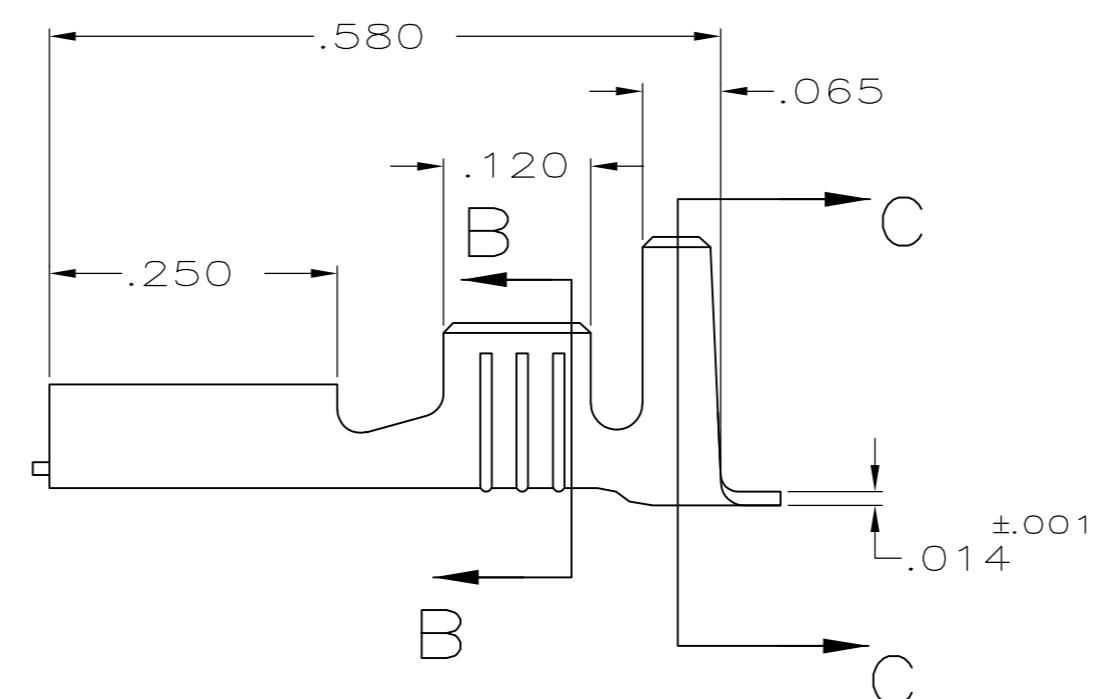
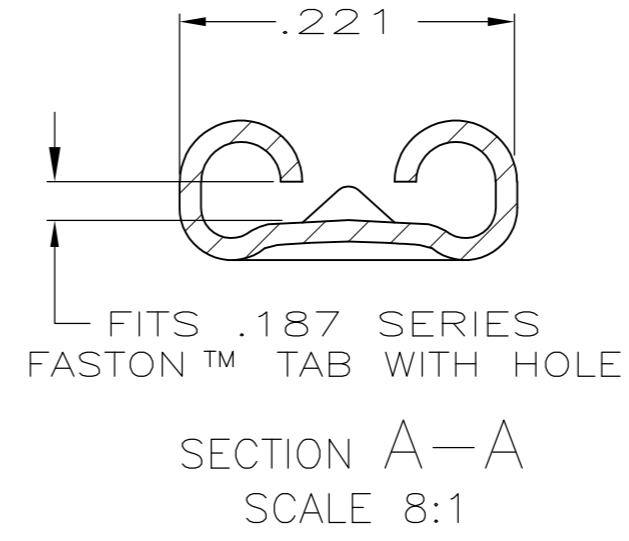
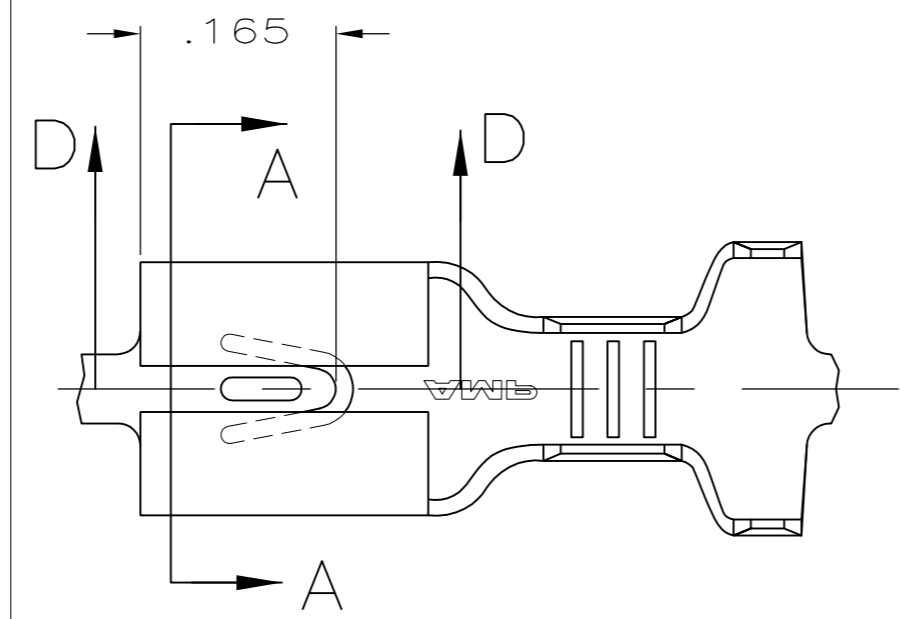
LOC		DIST		REVISIONS			
P	LTR	DESCRIPTION		DATE	DWN	APVD	
AF	50	F	REVISED PER ECR-12-002864	24MAY12	KH	PD	

SUGGESTED MATING TAB



- MATL: 1/2H BRASS OR NICKEL PL STEEL.
 - NO BURRS PERMISSIBLE AT HOLE.
 - MUST BE FLAT WITHIN .003 OVER THIS LENGTH.
 - HOLE MUST BE SYMMETRICAL ABOUT TAB Q WITHIN 0.076 [.003]
- * TO BE USED ONLY WHEN SHOULDER IS ELIMINATED.

1 CONTINUOUS STRIP ON REELS



SECTION D-D

TYPE	WIDTH	STRIP LENGTH ±.015	TYPE	WIDTH	±.002 HEIGHT	WIRE
F	.180	.188	F	.090	.077	14
					.066	16
					.059	18
INSUL BARREL CRIMP	WIRE BARREL CRIMP					

THIS DRAWING IS A CONTROLLED DOCUMENT.	
DIMENSIONS: INCHES	TOLERANCES UNLESS OTHERWISE SPECIFIED:
	0 PLC ± -
	1 PLC ± -
	2 PLC ± -
	3 PLC ± .010
	4 PLC ± -
	ANGLES ± -
MATERIAL: TEMP 3 PHOS BRONZE	FINISH: TIN

.161-.196	18-14	63524-1
INSUL RANGE	WIRE SIZE	PART NUMBER
DWN: JR RUTH 1/3/90		 TE Connectivity RECEPTACLE, FASTON™ LOCK-ON, 4.75 [.187] SERIES
CHK: MS FEHER 1/3/90		
APVD: J GILLESPIE 1/3/90		
PRODUCT SPEC: -		
APPLICATION SPEC: -		RESTRICTED TO: -
WEIGHT: -	SIZE: A2	CAGE CODE: 00779
DRAWING NO: C=63524		SCALE: 6:1
CUSTOMER DRAWING		SHEET: 1 of 1
		REV: F

单击下面可查看定价，库存，交付和生命周期等信息

[>>TE Connectivity\(泰科\)](#)