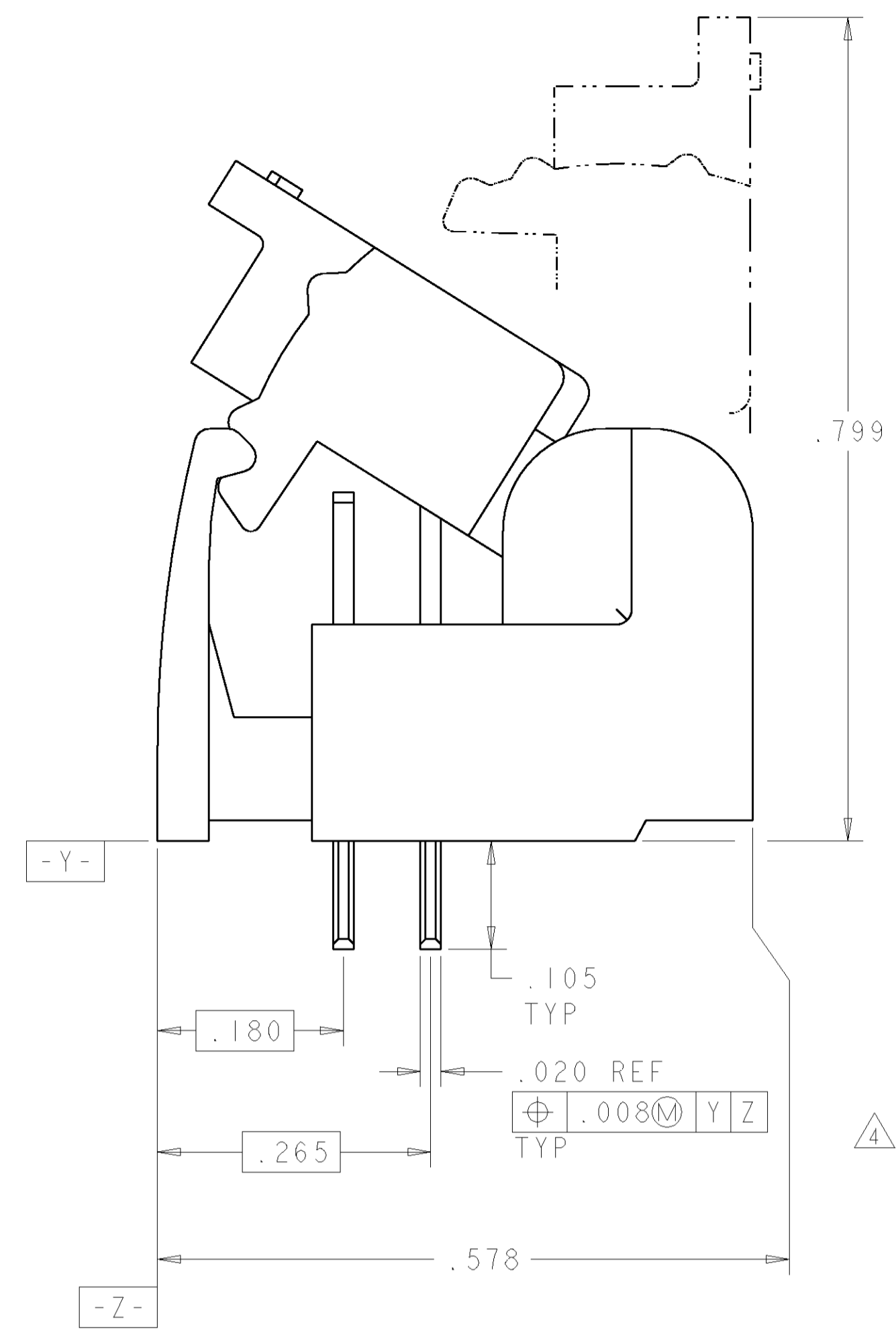
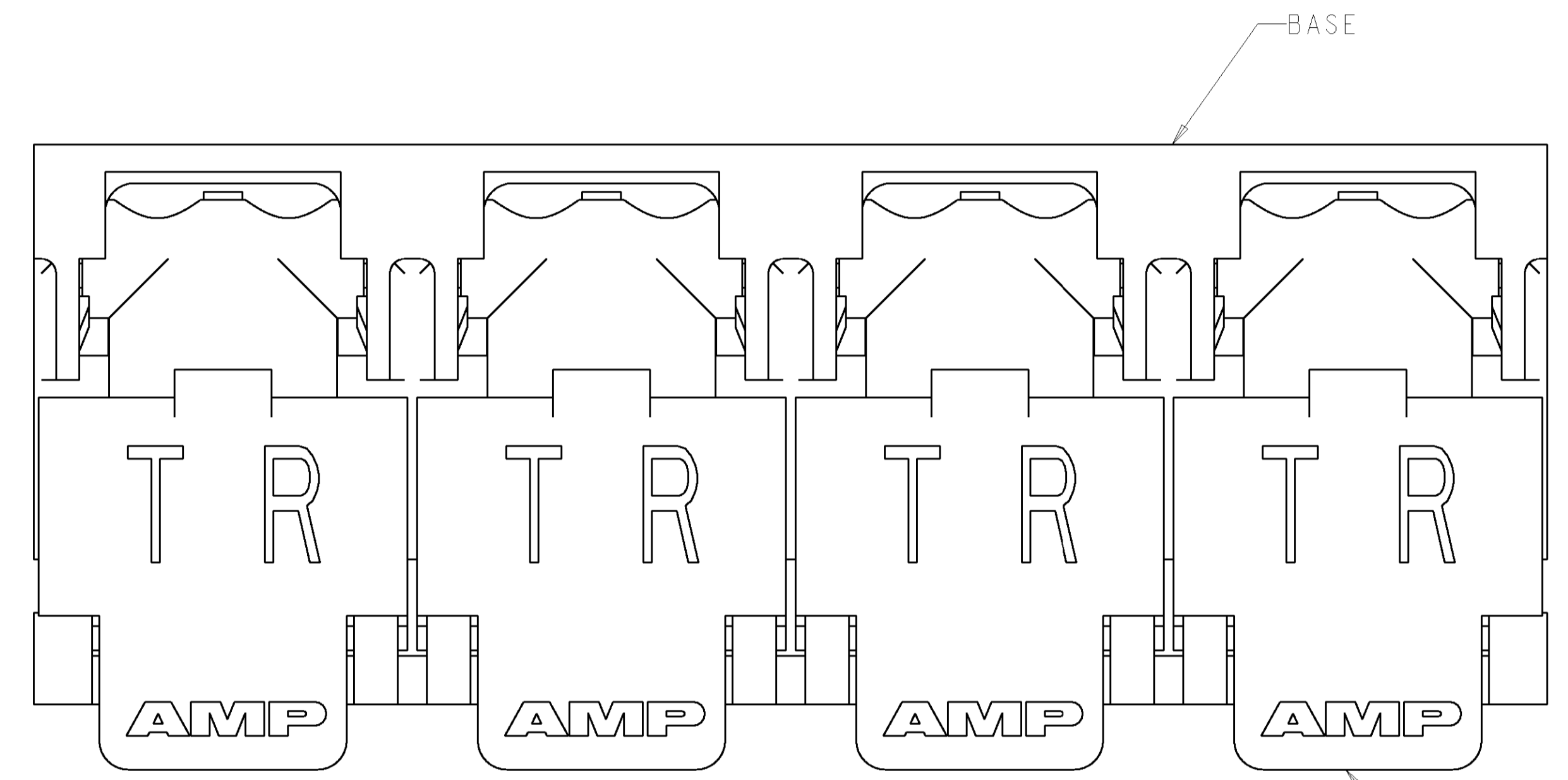
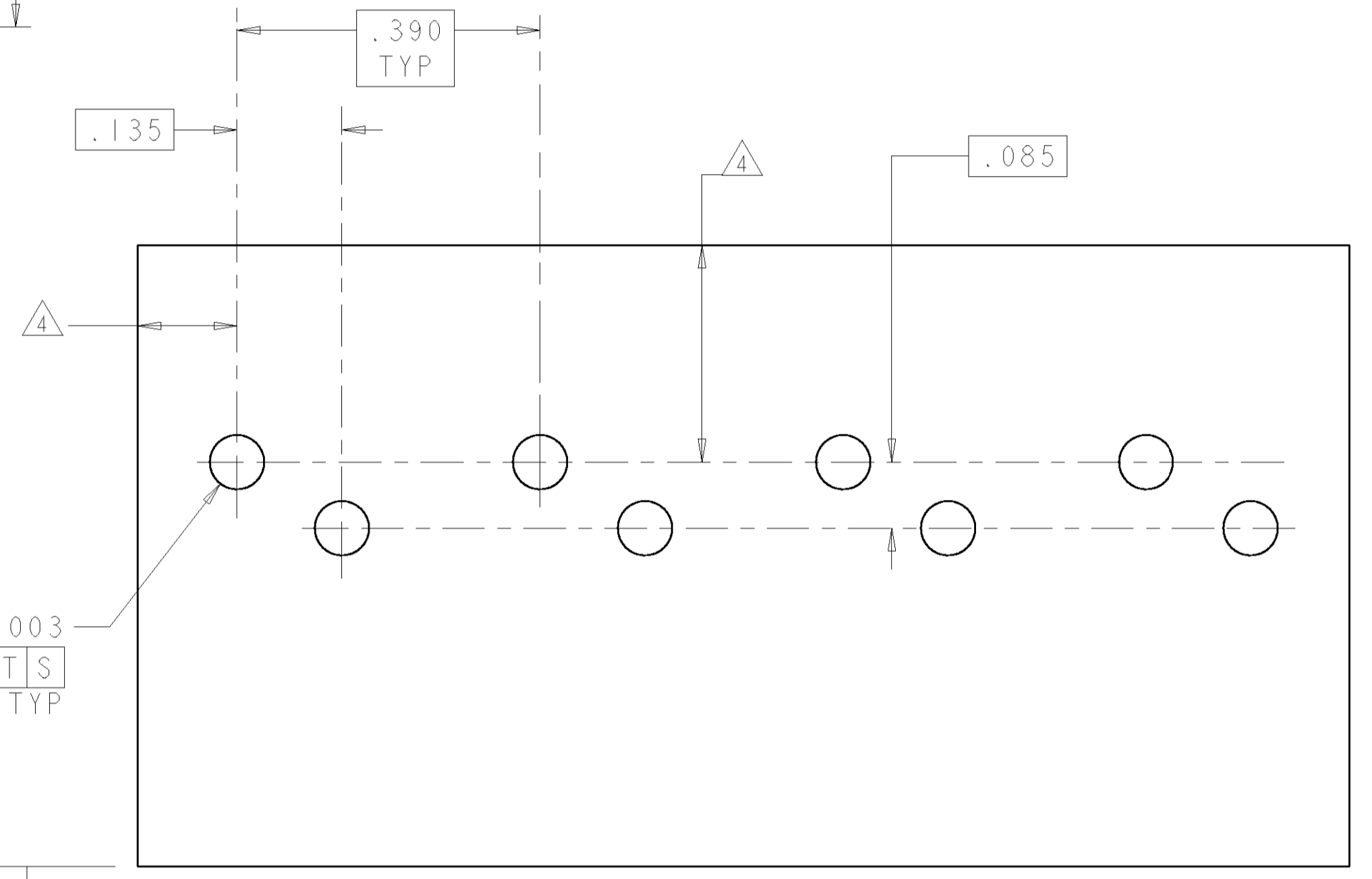


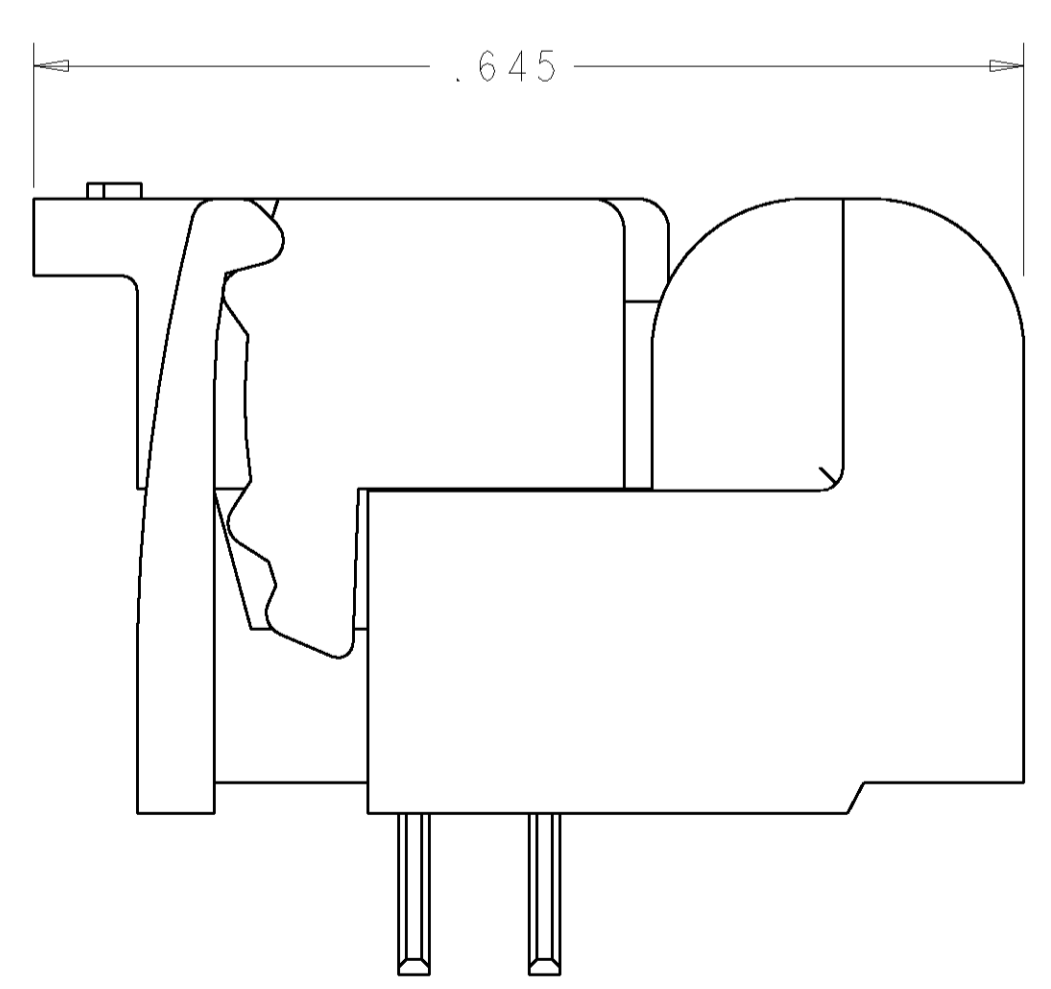
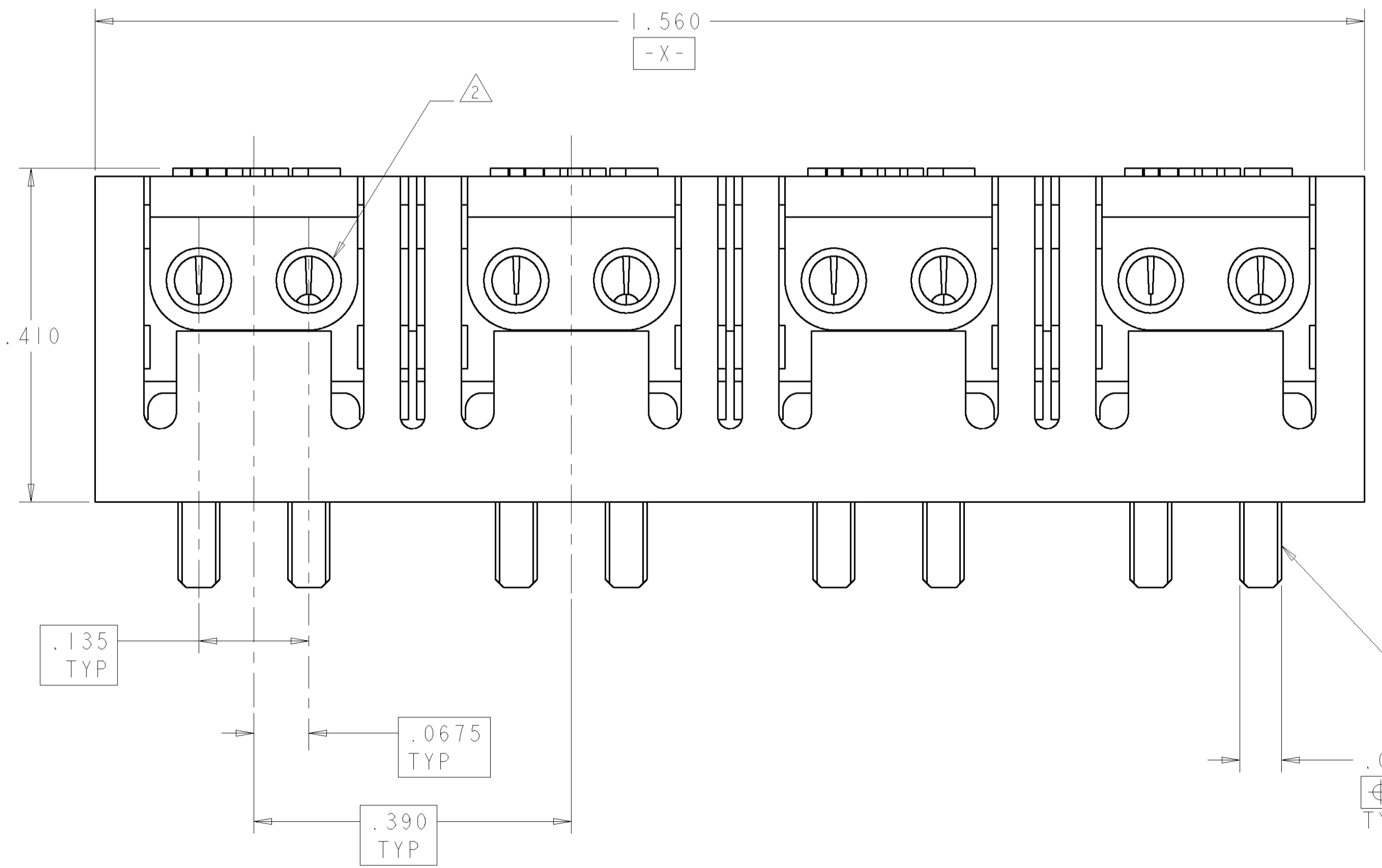
LOC	DIST	REVISIONS					
GP	00	F	LTW	DESCRIPTION	DATE	DWN	APVD
		B		REVISED: EC QUIC-0007-01	22JAN2001	JA	TW
		C		REVISED PER EC 0S15-0450-02	21JAN2003	DLD	RPM
		D		REVISED PER EC 0S15-0324-03	05DEC2003	JB	CF



- △ MATERIAL: BASE - POLYESTER MOLDING COMPOUND, BLACK.
 WIRE STUFFER - POLYCARBONATE MOLDING COMPOUND, CLEAR.
 TERMINAL - COPPER ALLOY, PLATED WITH 3.81µm MINIMUM THICK TIN OVER 1.27µm MINIMUM THICK NICKEL UNDERPLATE.
- △ EACH WIRE ENTRY HOLE ACCEPTS ONE UNSTRIPPED SOLID COPPER 22-26 AWG WIRE WITH WIRE INSULATION DIAMETER RANGE FROM .060 THROUGH .040. OTHER WIRE SIZES AND TYPES SHALL BE SUBMITTED TO AMP ENGINEERS FOR APPLICATION APPROVAL.
- 3. SOLDER TABS PROVIDED FOR PERMANENT BOARD MOUNTING.
- △ LOCATION OF HOLE PATTERN DETERMINED BASED ON CUSTOMER REQUIREMENTS.



SUGGESTED PRINTED CIRCUIT BOARD MOUNTING DIMENSIONS VIEWED FROM SOLDER SIDE



CLOSED POSITION

RED	GREEN	CLEAR	1339308-1
R	T	WIRE STUFFER	PART NUMBER
COLOR CODE			
<small>THIS DRAWING IS UNPUBLISHED. RELEASED FOR PUBLICATION. ALL RIGHTS RESERVED. © 1995 AMP INCORPORATED. ALL INFORMATION CONTAINED HEREIN IS UNCLASSIFIED EXCEPT WHERE SHOWN OTHERWISE. ORGANIZATION SHOULD BE CONTACTED FOR THE LATEST REVISION.</small>		DWN: R. ZARBOCK 28APROD ENR: M. DERSTINE 28APROD APVD: M. DERSTINE 28APROD	AMP Incorporated Harrisburg, PA 17105-3608
DIMENSIONS: INCHES TOLERANCES UNLESS OTHERWISE SPECIFIED: 0 PLC ± 1 PLC ±.01 2 PLC ±.01 3 PLC ±.005 4 PLC ± ANGLES ±°		PRODUCT SPEC: APPLICATION SPEC: WEIGHT:	NAME: ASSEMBLY, FOUR PAIR, SINGLE ENTRY, PIVOT II CONNECTOR SIZE: A1 CAGE CODE: 00779 DRAWING NO: 1339308
MATERIAL: △ FINISH: -		CUSTOMER DRAWING	SCALE: 8:1 SHEET 1 OF 1 REV D

单击下面可查看定价，库存，交付和生命周期等信息

[>>TE Connectivity\(泰科\)](#)