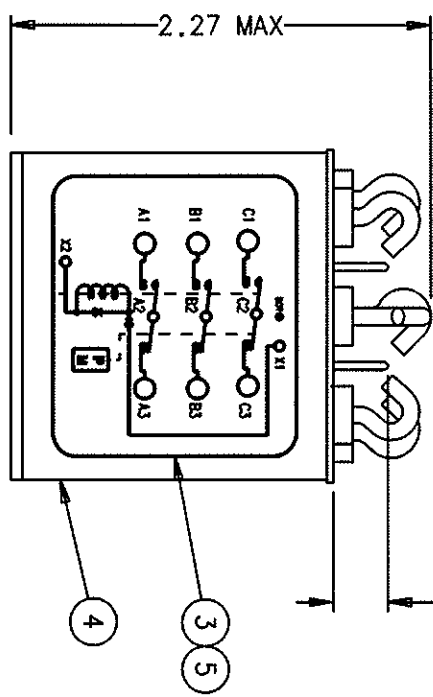
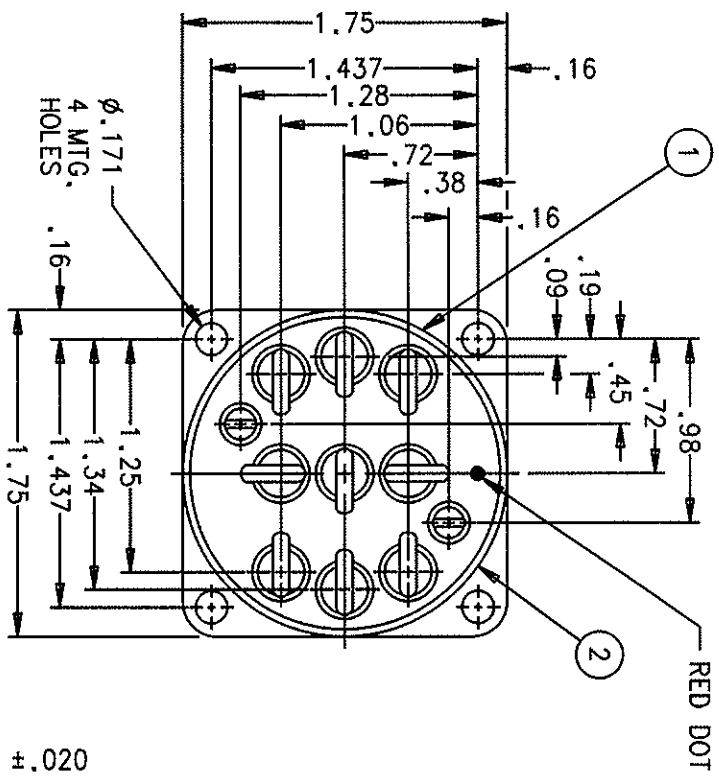


REV.	RELEASED	DATE	APPROVED
K	0740-03 REDRAWN, ADDED ITEM 5	03/08/23	[Signature]



CONSTRUCTION  
NOMINAL VOLTAGE  
115 V, 400 HZ

HERMETICALLY SEALED  
115 V, 400 HZ

CONTACT RATING  
RES.  
RES.  
IND.

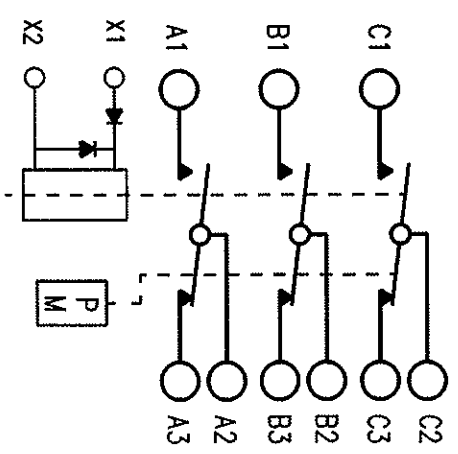
25 AMP AT 115 V, 400 HZ  
10 AMP AT 28 VDC  
15 AMP AT 115 V, 400HZ

COIL RATING  
PICKUP  
DROPOUT

115V, 400 HZ  
95 V MAX HOT  
25 ±15V HOT

RATED DUTY  
VIBRATION  
MAX WEIGHT

CONTINUOUS  
MIL-E-5272 PROC 1  
7.5 OZ.



REV.	QTY	PART OR IDENTIFYING NO.	DESCRIPTION	NSI	DRWG OR SPECIFICATION	MATERIAL OR NOTE
5	1	36529-001	OVERLAY - WIRING DIAGRAM			
4	1	20473-0501	CONTACTOR ASSEMBLY - PRIMARY			
3	1	19488-001	PLATE - WIRING DIAGRAM			
2	1	17959-001	PLATE - WARNING			
1	1	16043-001	PLATE - NAME			

UNLESS OTHERWISE SPECIFIED DIMENSIONS ARE IN INCHES TOLERANCES ARE	±.03	±.010	±1°
MATERIAL			
DR BY	CSC	03/09/16	
CHK BY	TC	03/09/18	
ENGR	ES	03/09/18	
MFG	JH	03/09/18	
SIZE	CODE IDENT		
C	74063		
SCALE	NONE	SHEET	

TYCO Electronics	
14000 Northpark Blvd., Suite 1175 N. Diamond Street, Mansfield, OH 44922	
CONTACTOR - 3PDT HERMETICALLY SEALED 093	
DWG NO.	DHR-14B
REF TYCO P/N	1-1616037-2

单击下面可查看定价，库存，交付和生命周期等信息

[>>TE Connectivity\(泰科\)](#)