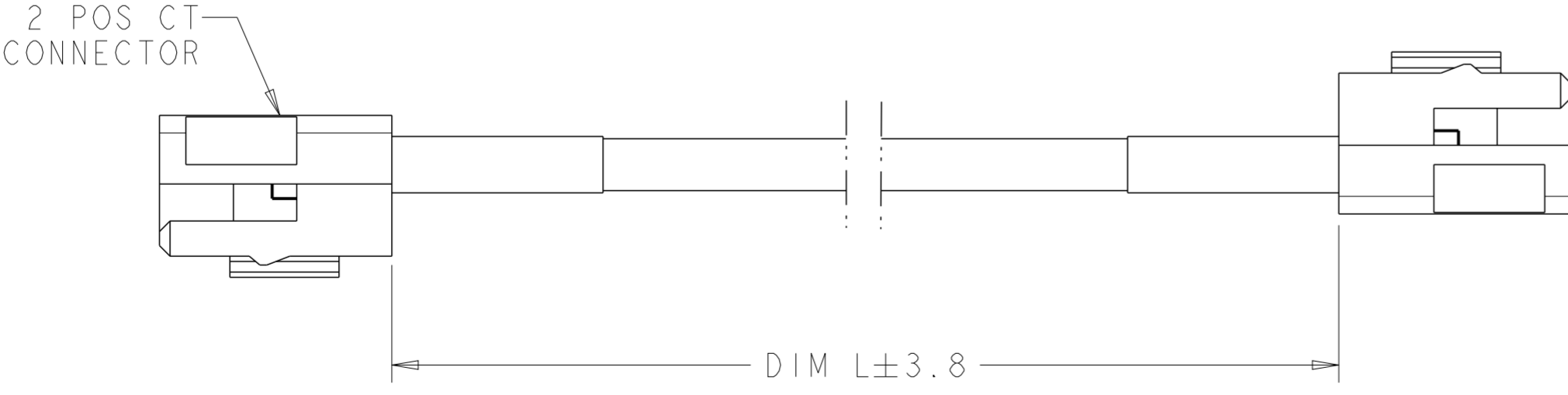
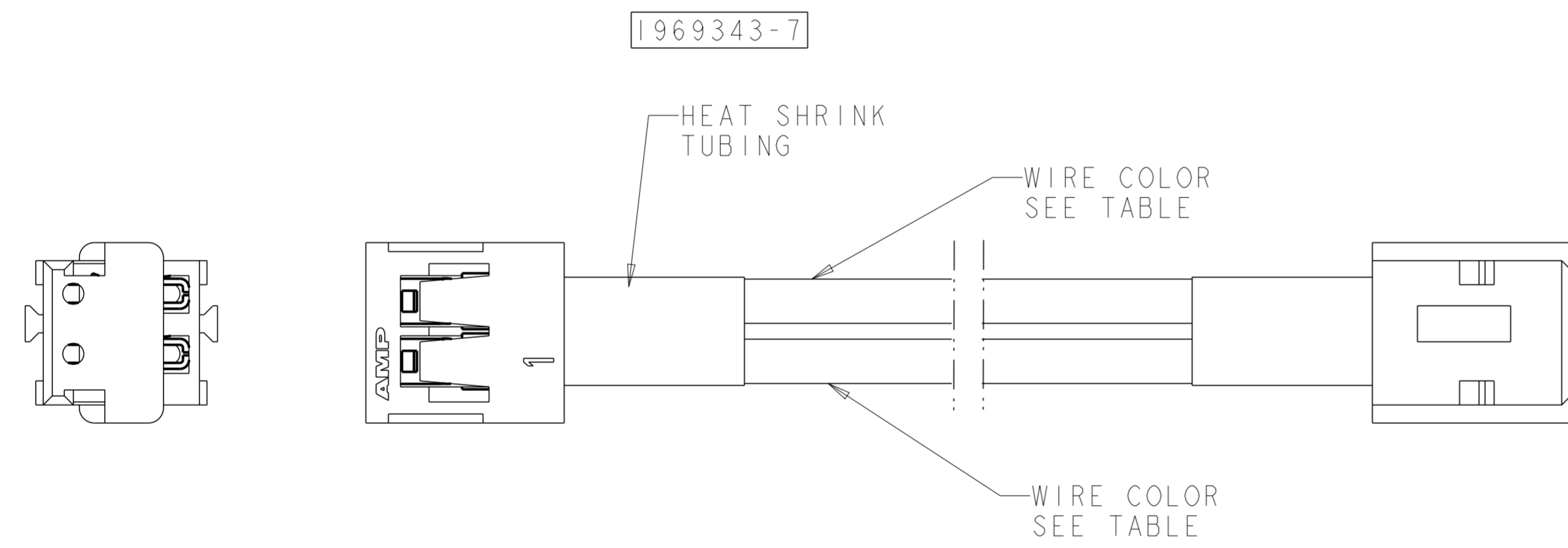
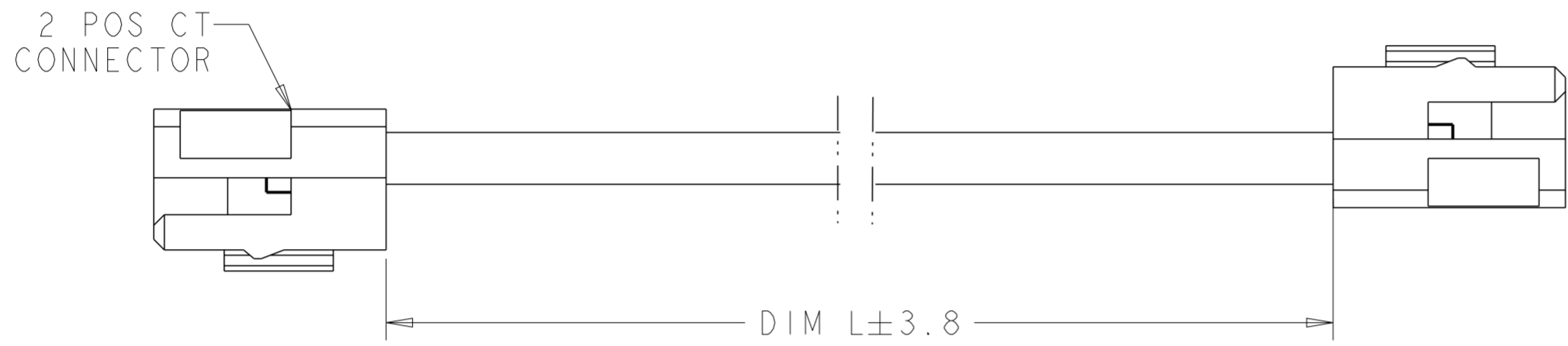
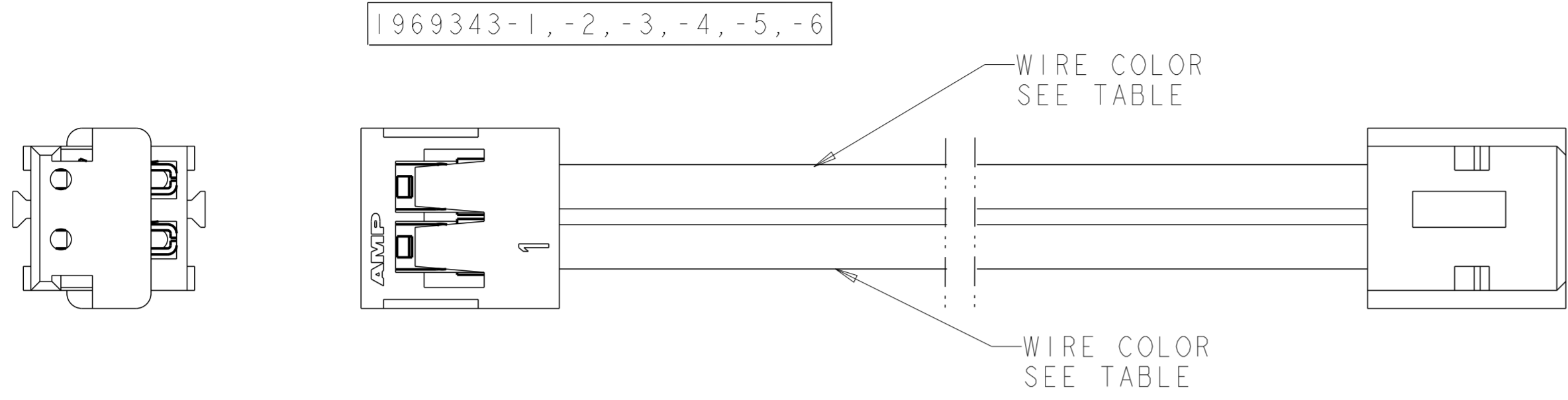
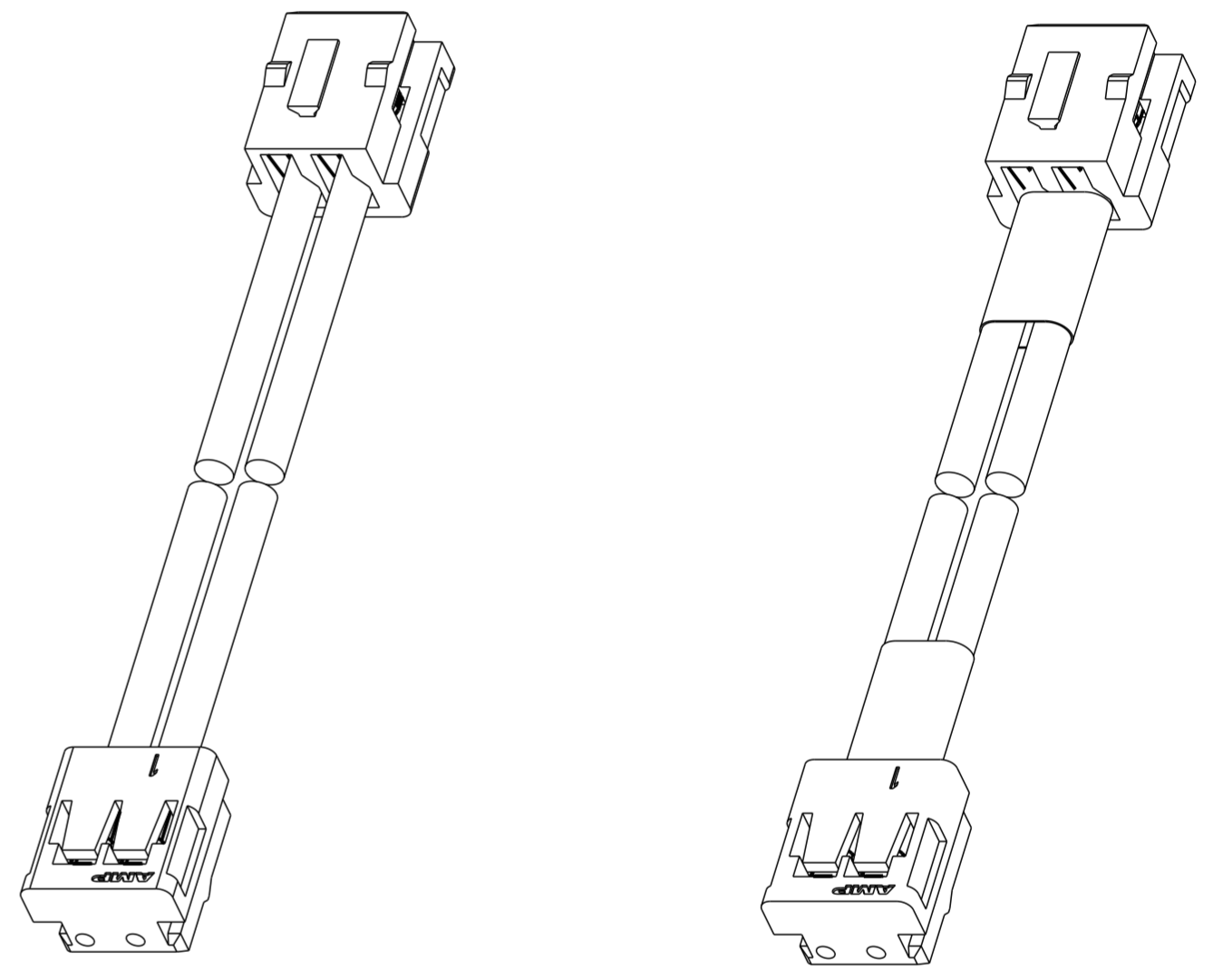


THIS DRAWING IS UNPUBLISHED. RELEASED FOR PUBLICATION 20  
 © COPYRIGHT 20 BY - ALL RIGHTS RESERVED.

LOC		DIST		REVISIONS			
P	LTR	DESCRIPTION		DATE	DWN	APVD	
B		PER ECR-11-017710		28MAR2012	PB	PB	
C		ECR-13-004256		11MAR2013	TB	DM	
E		ECR-13-013625		29AUG2013	TB	DM	
EI		ECR-20-004655		07OCT20	RK	SBH	



- 1 MATERIALS AND FINISH:  
 HOUSING: NYLON, COLOR: BLACK  
 CONTACTS: COPPER ALLOY, FINISH: Ag OVER Sn  
 WIRE: 24 AWG, UL 1007
- 2. MUST COMPLY WITH DIRECTIVE 2002/95/EC (ROHS)
- 3 OBSOLETE



	WIRE COLOR POSITION #2	WIRE COLOR POSITION #1	DIM L	PART NO.
3	WHITE	WHITE	150.0	<del>1969343-7</del>
3	WHITE	WHITE	300.0	<del>1969343-6</del>
	WHITE	WHITE	150.0	1969343-5
3	WHITE	WHITE	50.0	<del>1969343-4</del>
3	BLACK	RED	300.0	<del>1969343-3</del>
3	BLACK	RED	150.0	<del>1969343-2</del>
	BLACK	RED	50.0	1969343-1

THIS DRAWING IS A CONTROLLED DOCUMENT.

DIMENSIONS: mm	TOLERANCES UNLESS OTHERWISE SPECIFIED:	DWN JR RUTH 10DEC09	TE Connectivity
		CHK D DECKER 10DEC09	
		APVD D DECKER 10DEC09	
		NAME	
		PRODUCT SPEC	CABLE ASSEMBLY CT, 2 POSITION
		APPLICATION SPEC	
MATERIAL		WEIGHT	SIZE CAGE CODE DRAWING NO RESTRICTED TO
			A200779 C-1969343
		CUSTOMER DRAWING	SCALE NTS SHEET 1 OF 1 REV EI

单击下面可查看定价，库存，交付和生命周期等信息

[>>TE Connectivity\(泰科\)](#)