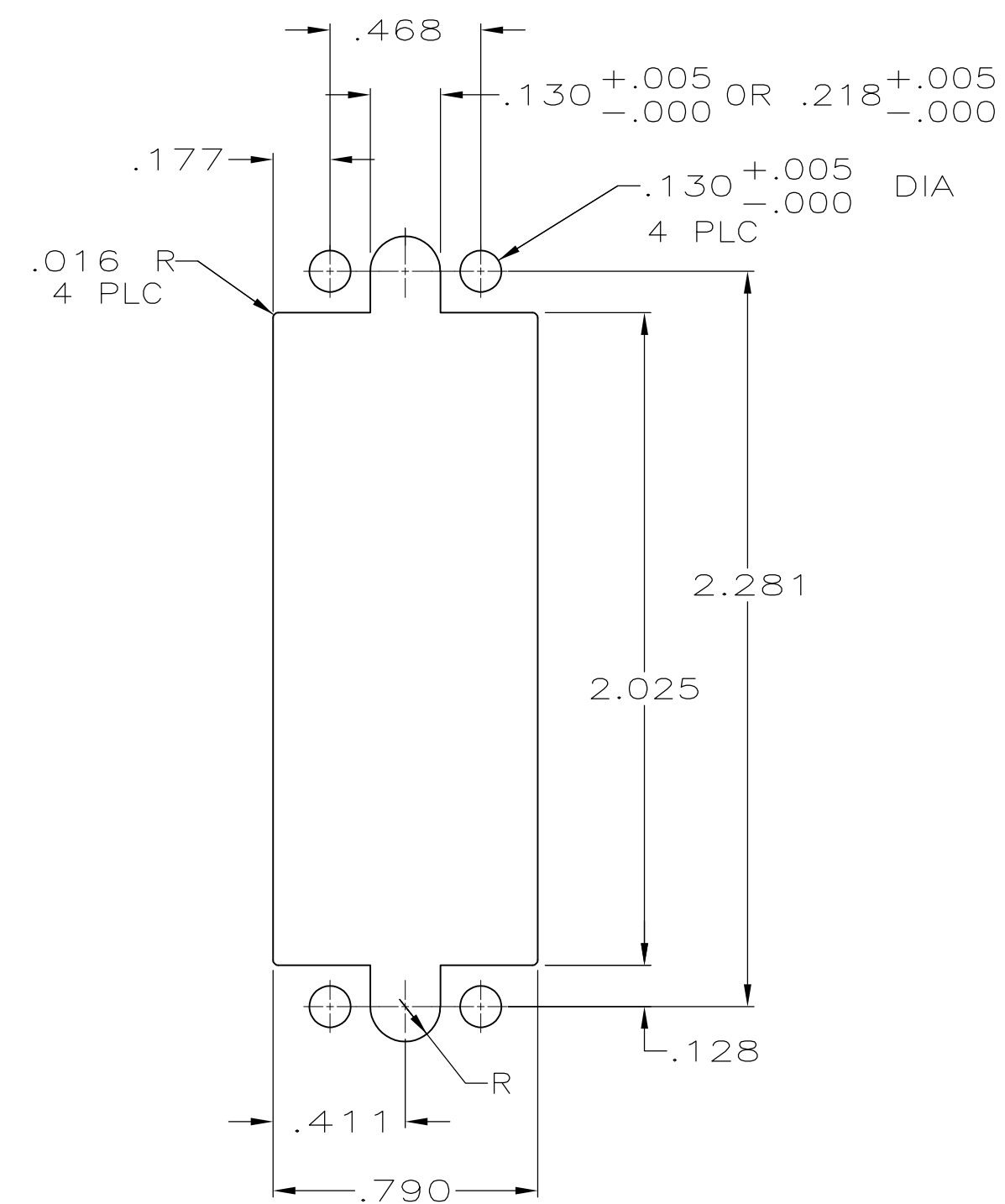
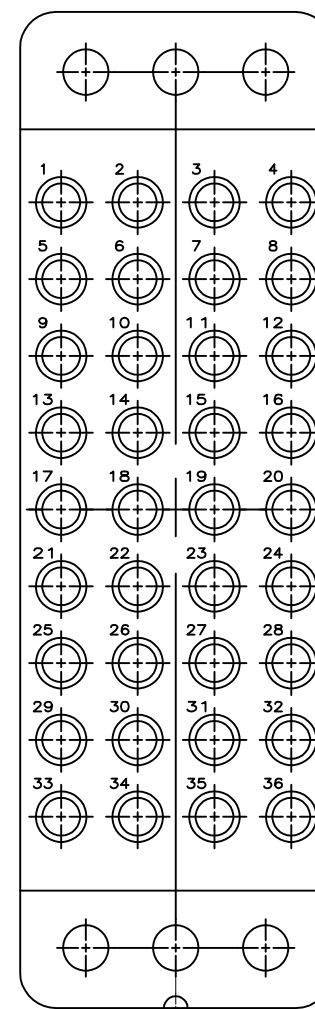
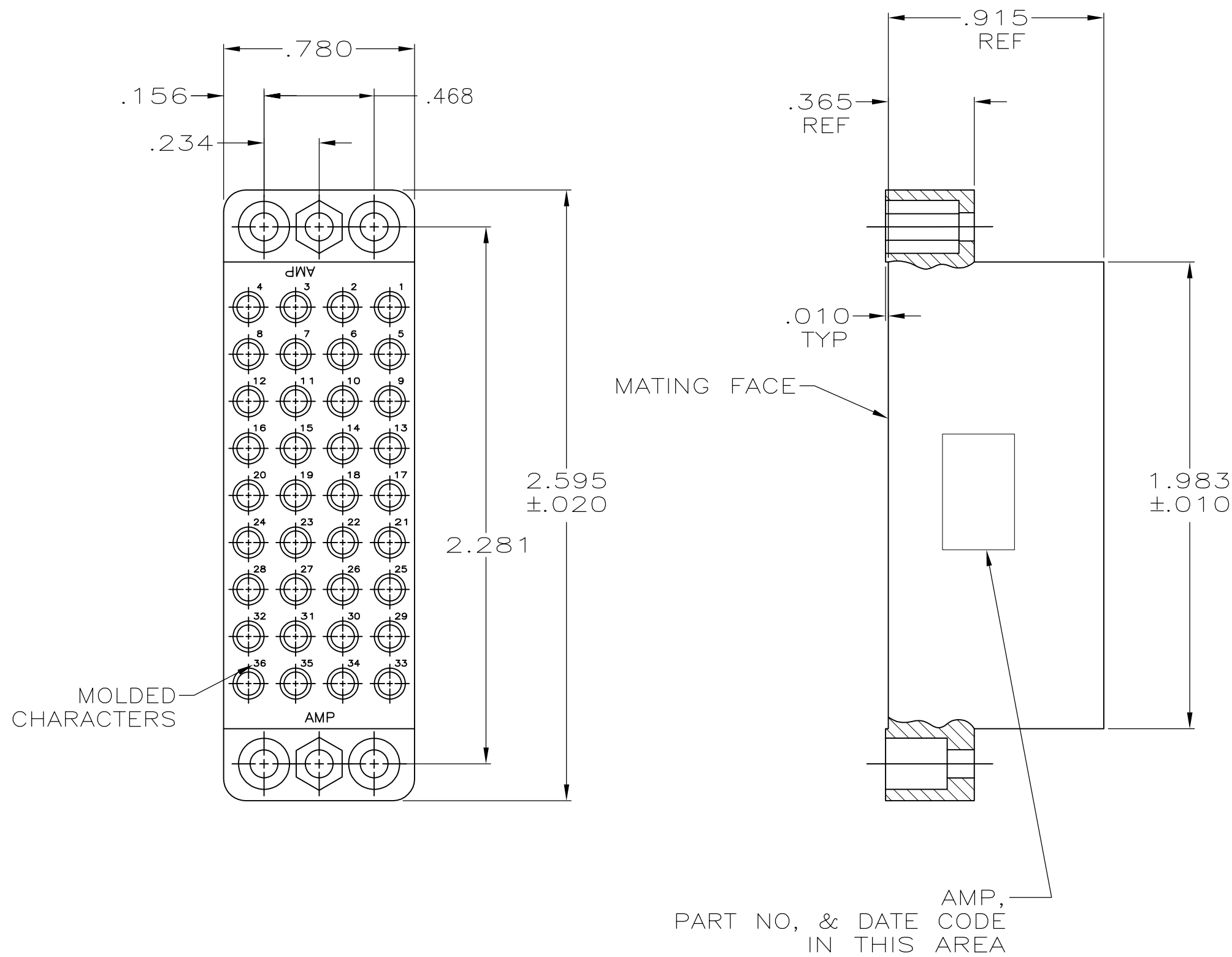


THIS DRAWING IS UNPUBLISHED. RELEASED FOR PUBLICATION
 © COPYRIGHT BY TYCO ELECTRONICS CORPORATION. ALL RIGHTS RESERVED.

| LOC | | DIST | | REVISIONS | | | |
|-----|-----|-------------|---------------------------|-----------|------|----|--|
| P | LTR | DESCRIPTION | DATE | DWN | APVD | | |
| FT | 0 | K | REVISED PER ECO-07-025670 | 11/6/07 | SS | GS | |



SUGGESTED PANEL CUTOUT

1. ACCOMODATES TYPE II OR III+ #16 SOCKET CONTACTS.

205076-2
PART NUMBER

| | | | | |
|--------------------------------------------------------------------------------------------------------------------------------------|-------------|-----------------------------|-----------------------------------------------------------|--------------------|
| THIS DRAWING IS A CONTROLLED DOCUMENT. | | DWN B. MOYER 04/22/91 | Tyco Electronics Corporation Harrisburg, PA 17105-3608 | |
| DIMENSIONS: INCHES | | CHK R. STONE 05/08/91 | NAME | |
| TOLERANCES UNLESS OTHERWISE SPECIFIED: 0 PLC ± - 1 PLC ± - 2 PLC ± - 3 PLC ± .005 4 PLC ± - ANGLES ± - FINISH - | | APVD - | HOUSING, PLUG, 36 POSITION, M SERIES | |
| MATERIAL PHENOLIC PER MIL-M-14, | FINISH - | PRODUCT SPEC - | APPLICATION SPEC - | RESTRICTED TO - |
| CUSTOMER DRAWING | | WEIGHT - | SIZE A2 | CAGE CODE 00779 |
| | | DRAWING NO C=205076 | | SCALE 2:1 |
| | | SHEET 1 of 1 | | REV K |

单击下面可查看定价，库存，交付和生命周期等信息

[>>TE Connectivity\(泰科\)](#)