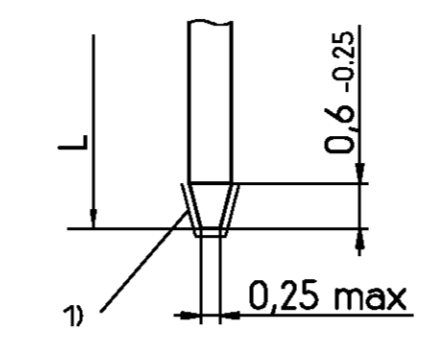


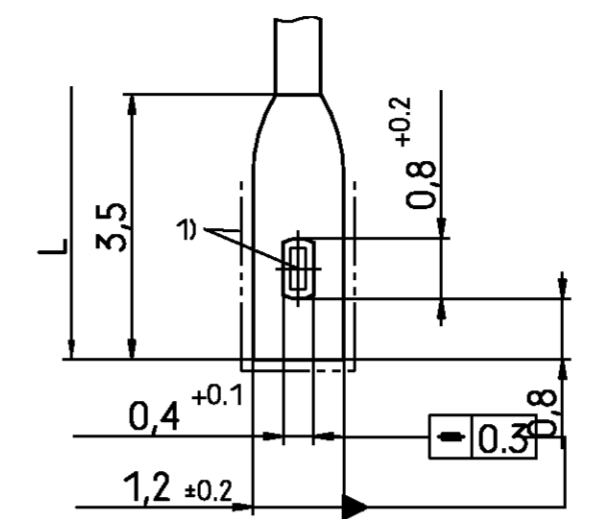
V 4 2 2 5 4 - B 7 \* \* \* - C 9 \* \*

Termination Style

Solder/Wire-Wrap pins



Solder lug



1) Cutting edges not plated  
Terminations with galvanic Sn plating

	L	
	3	-0.4 00
	2.9 ±0.3	01
	4.5 ±0.3	02
	13 ±0.5	40
	11 ±0.5	41
	17 ±0.5	42
Solder lugs	5.5 ±0.3	35
	10	-0.5

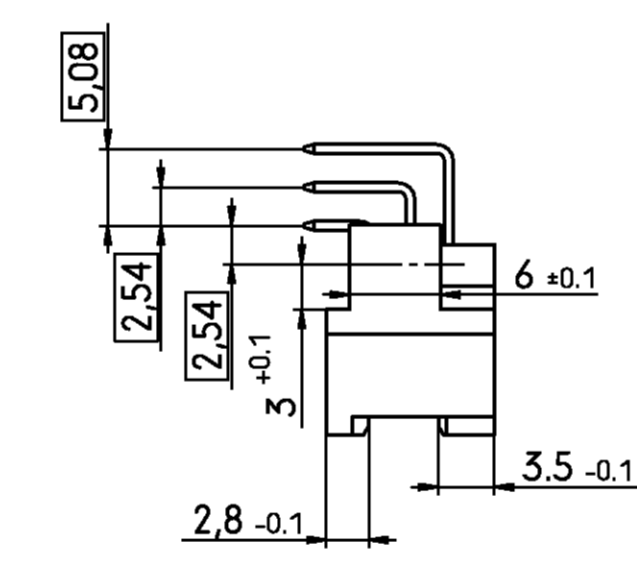
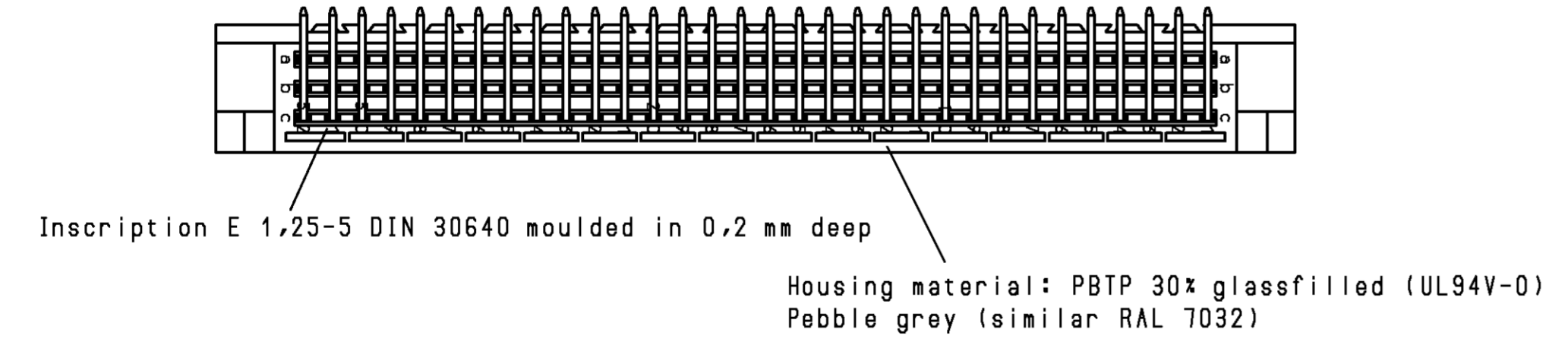
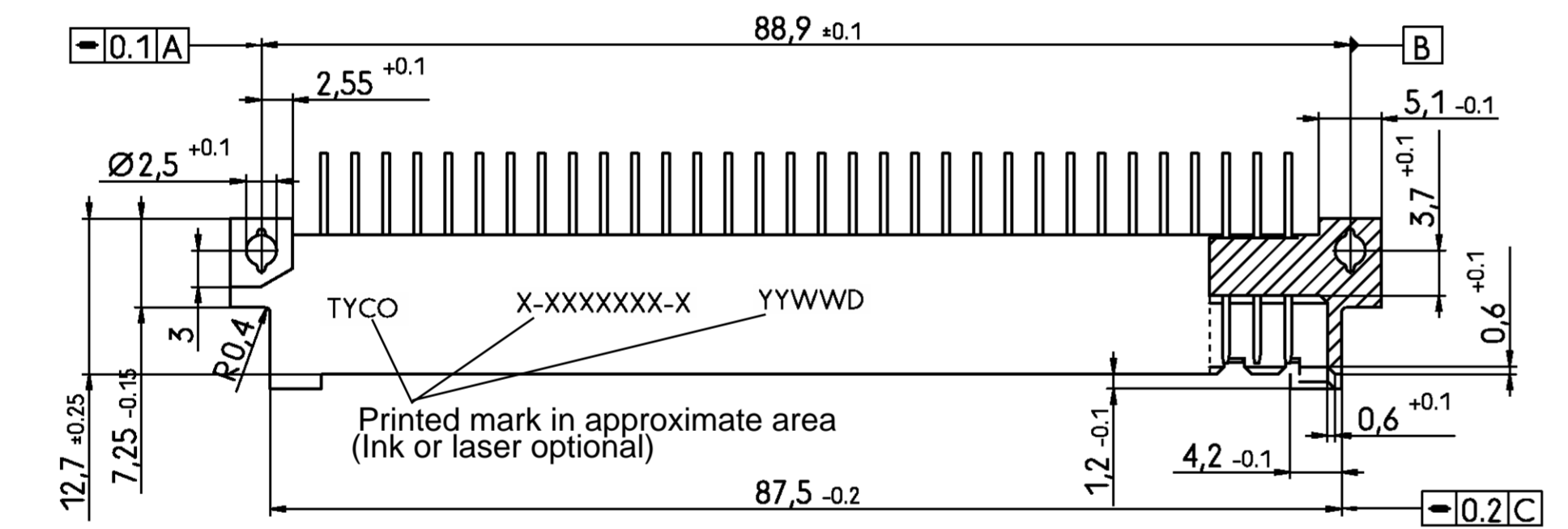
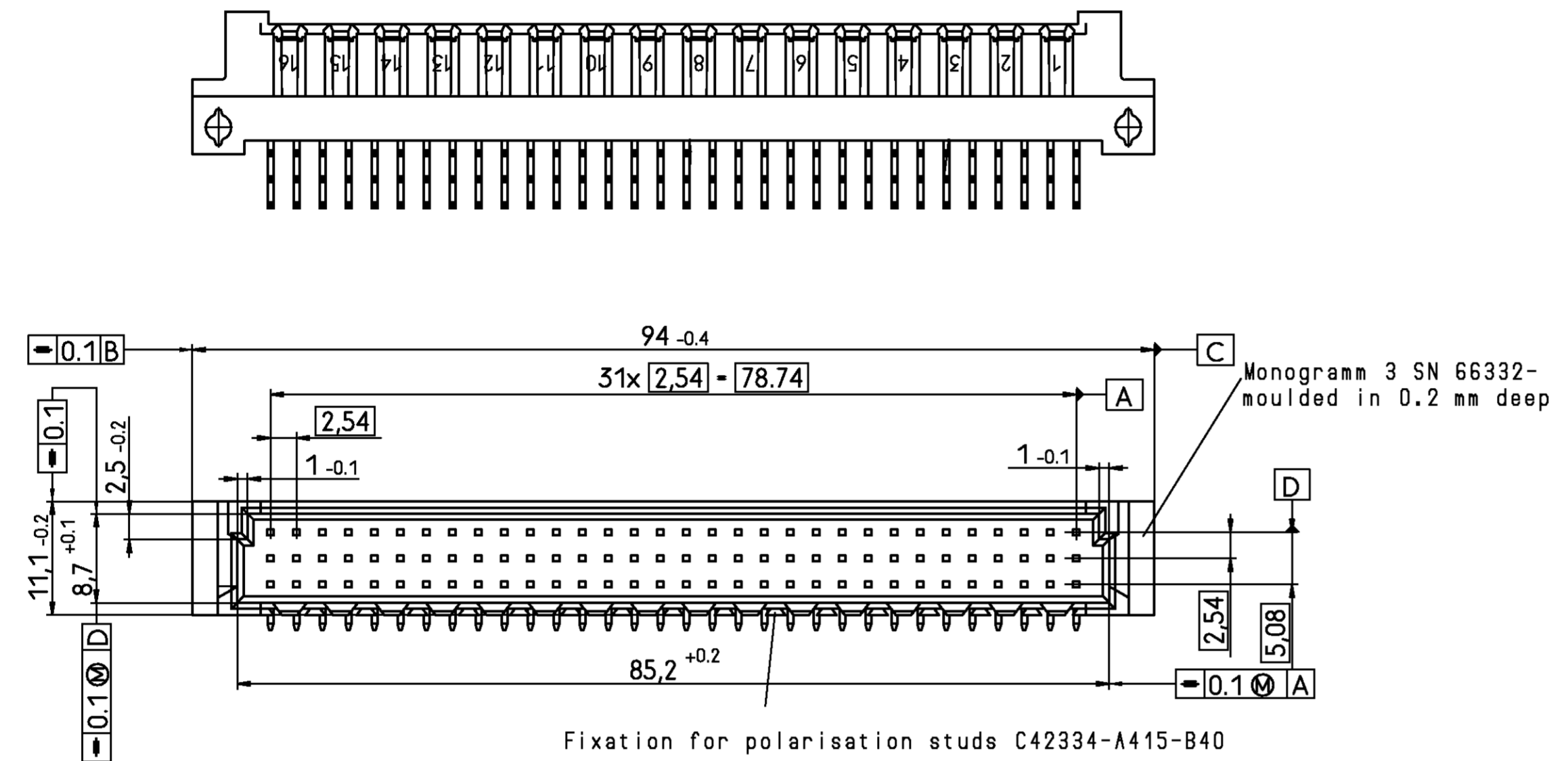
Contact assignment	
0	every row, every pitch
1	row a, every pitch
2	row a+b, every pitch
3	row a+c, every pitch
5	every row, every even pitch
6	row a, every even pitch
7	row a+b, every even pitch
8	row a+c, every even pitch

Version	
1	with board locks for 1,6mm PCB
3	with standard pre-mating *)
5	with board locks for 1,6mm PCB and with standard pre-mating *)
6	basic version

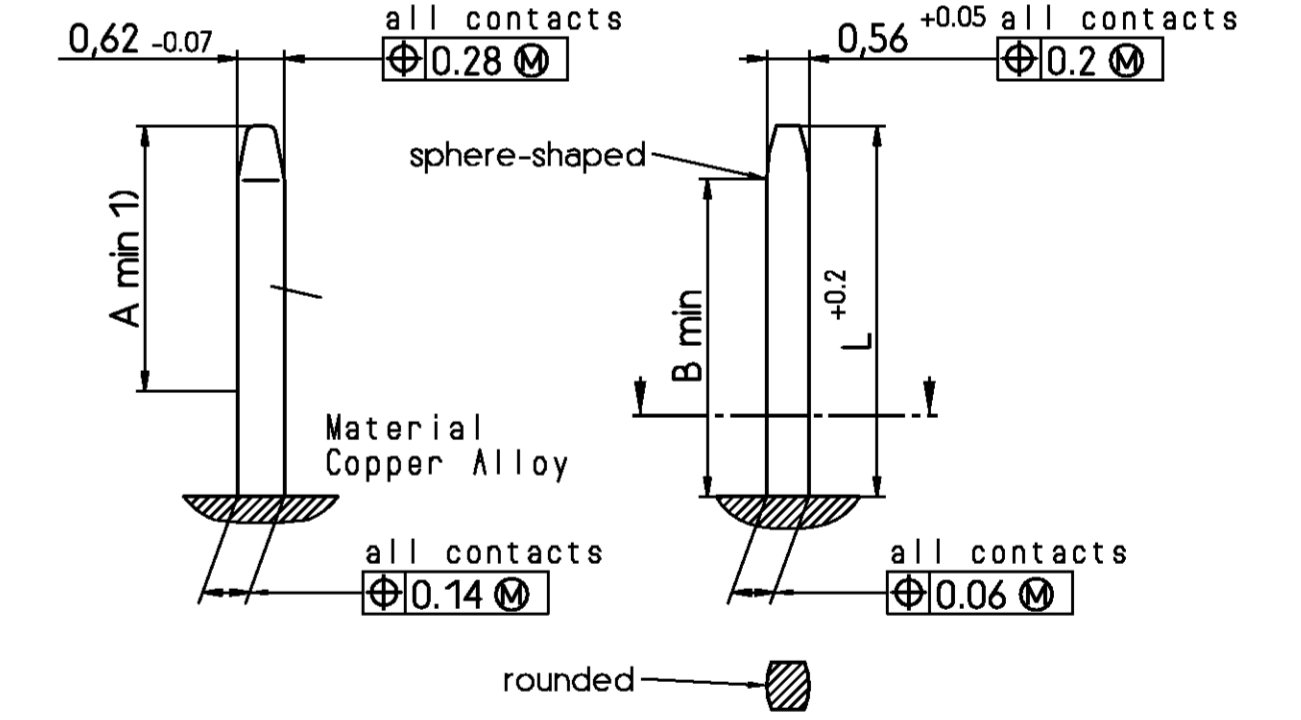
\*) first and last contact of each loaded row is a pre-mating contact

Performance level	Noble metals	Plating thickness in reference area
Class I	Pd + Au or Au	1
	Au	4
Class II	Pd + Au or Au	2
	Au	5
Class III	Pd + Au or Au	3

Nickel underlayer:  
Protection film: HF-grease

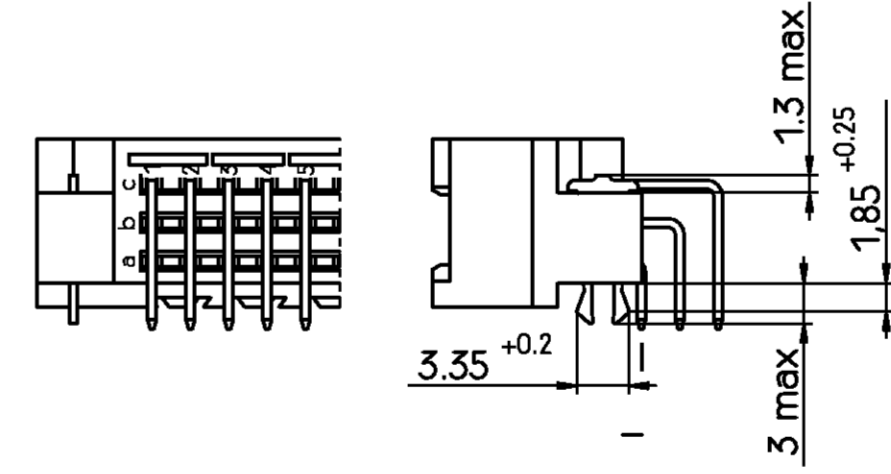


Contact: Dimensions, plating, material, pre-mating



	L	A	B
normal contacts	4.8	3.5	4.2
pre-mating contacts	5.8	4.5	5.2

Male connector with board locks

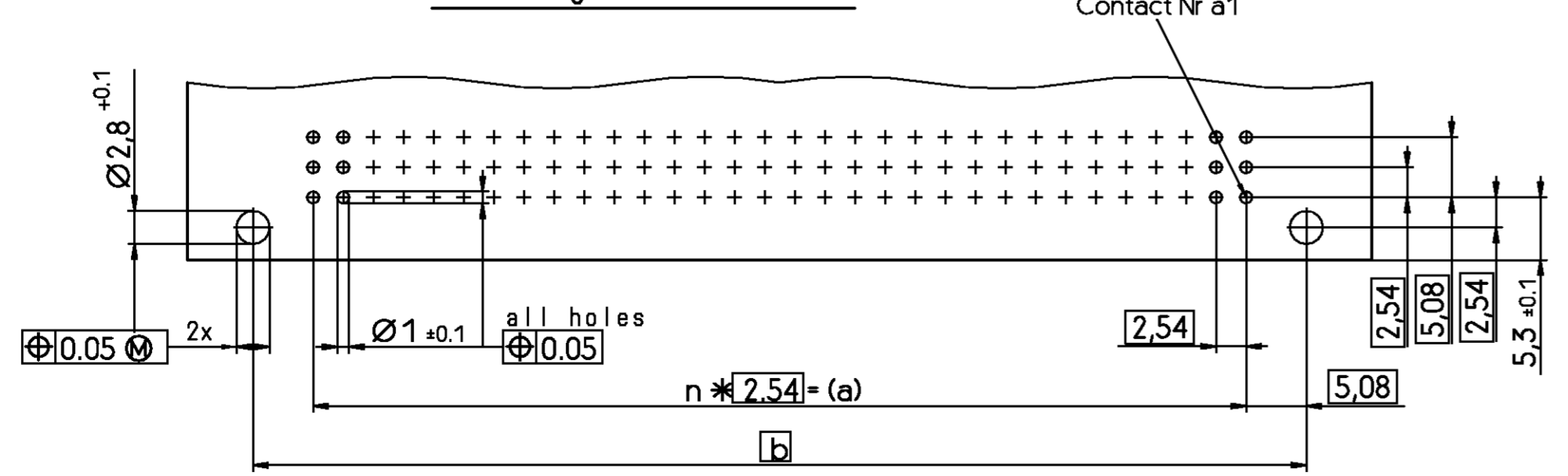


Mounted in PC-boards of 1,5 to 1,8 mm  
F<sub>m</sub> < 60 N  
F<sub>r</sub> >= 20 N  
F<sub>r</sub> >= 200 N, wenn soldered-in

F<sub>m</sub> = Mounting force (for 1 connector = 2 Clips)  
F<sub>r</sub> = Retention force (for 1 connector = 2 Clips)

Mounted in PC-boards over 1,8 mm  
F<sub>m</sub> < 60 N  
F<sub>r</sub> >= 16 N

Mounting holes in PCB



Type	n	a	b
C	31	78.74	88.9

THIS INFORMATION IS CONFIDENTIAL AND PROPRIETARY TO TYCO ELECTRONICS CORPORATION AND ITS WORLDWIDE SUBSIDIARIES AND AFFILIATES. IT MAY NOT BE DISCLOSED TO ANYONE, OTHER THAN TYCO ELECTRONICS CORPORATION, WITHOUT WRITTEN AUTHORIZATION FROM TYCO ELECTRONICS CORPORATION, HARRISBURG, PENNSYLVANIA USA.

<b>TE</b> TE Connectivity		SCALE	WEIGHT
DIMENSIONS IN MM		MATERIAL	
PART NAME		PART NO.	
PIN Assembly Eurocard Type C		V42254-B7***-C9***-7626	
Coding version with pre-centering		SIT. 1+	
Customer Drawing Nr. C 9-1393646-3		of 2	


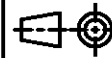
THIS INFORMATION IS CONFIDENTIAL AND PROPRIETARY TO TYCO ELECTRONICS CORPORATION AND ITS WORLDWIDE SUBSIDIARIES AND AFFILIATES. IT MAY NOT BE DISCLOSED TO ANYONE, OTHER THAN TYCO ELECTRONICS PERSONNEL, WITHOUT WRITTEN AUTHORIZATION FROM TYCO ELECTRONICS CORPORATION, HARRISBURG PENNSYLVANIA USA

PROPRIETARY:

Old Part Number	TE Part Number	Style & Number of Positions	Termination posts	Loaded Rows	Standard Pre-Mating (1 mm 1)	Performance Level	Board Locks	
V42254-B7100-C930	8-1393646-8	C96	right-angle solder leads	every row , every pitch	Yes	1	No	OBSOLETE
V42254-B7100-C933	8-1393646-9	C96	right-angle solder leads	row a+c , every pitch	Yes	1	No	SUPERSEDED BY 9-1393646-4
V42254-B7100-C938	9-1393646-0	C96	right-angle solder leads	row a+c , every even pitch	Yes	1	No	OBSOLETE
V42254-B7200-C930	9-1393646-3	C96	right-angle solder leads	every row , every pitch	Yes	2	No	
V42254-B7200-C933	9-1393646-4	C96	right-angle solder leads	row a+c , every pitch	Yes	2	No	
V42254-B7200-C935	9-1393646-5	C96	right-angle solder leads	every row , every even pitch	Yes	2	No	
V42254-B7200-C950	9-1393646-6	C96	right-angle solder leads	every row , every pitch	Yes	2	Yes	OBSOLETE
V42254-B7200-C953	9-1393646-7	C96	right-angle solder leads	row a+c , every pitch	Yes	2	Yes	

1) First and last contact of each loaded row is a pre-mating (make first / break last) contact.

Active part numbers.  
Contact TE for other configuration availability

		TE Connectivity				SCALE	WEIGHT	
				DIMENSIONS IN MM		MATERIAL		
				DATE 11.01.96		PART NAME		
				NAME Cuvelier		PIN Assembly Eurocard Type C		
				DEP. PD COM		Coding version with pre-centering		
				TOLERANCE UNLESS SPECIFIED OTHERWISE		PART NO.		
				C3 see page 1		V42254-B7***-C9***-*-7626		
REV.	CHANGE ORDER	DATE	APP.	Customer Drawing Nr. C 9-1393646-3				SHT. 2- OF 2

单击下面可查看定价，库存，交付和生命周期等信息

[>>TE Connectivity\(泰科\)](#)