

LOC	DIST	REVISIONS					
GP	00	P	LTN	DESCRIPTION	DATE	OWN	APVD
		A1		REVISED PER ECR-18-017552	07NOV2018	IT	SH
		A2		ADD NEW DASH NUMBER 1-2291634-1	31MAY2021	SZ	SZ
		A3		RELEASE PER ECN-21-107864	18JUN2021	SZ	SZ
		A4		ADD NEW DASH NUMBER 1-2	19JUL2021	SZ	SZ

1 MATERIAL:
 CAGE - 0.25mm THICK NICKEL SILVER ALLOY
 HEATSINK - ALUMINUM
 HEATSINK CLIP - STAINLESS STEEL
 EMI SPRING(S) - COPPER ALLOY

2 FINISH:
 HEATSINK - ELECTROLESS NICKEL
 HEATSINK CLIP - PASSIVATE
 EMI SPRING(S) - 0.8um MIN MATTE TIN OVER 0.8um MIN NICKEL,
 NON-PLATED EDGES PERMISSIBLE.

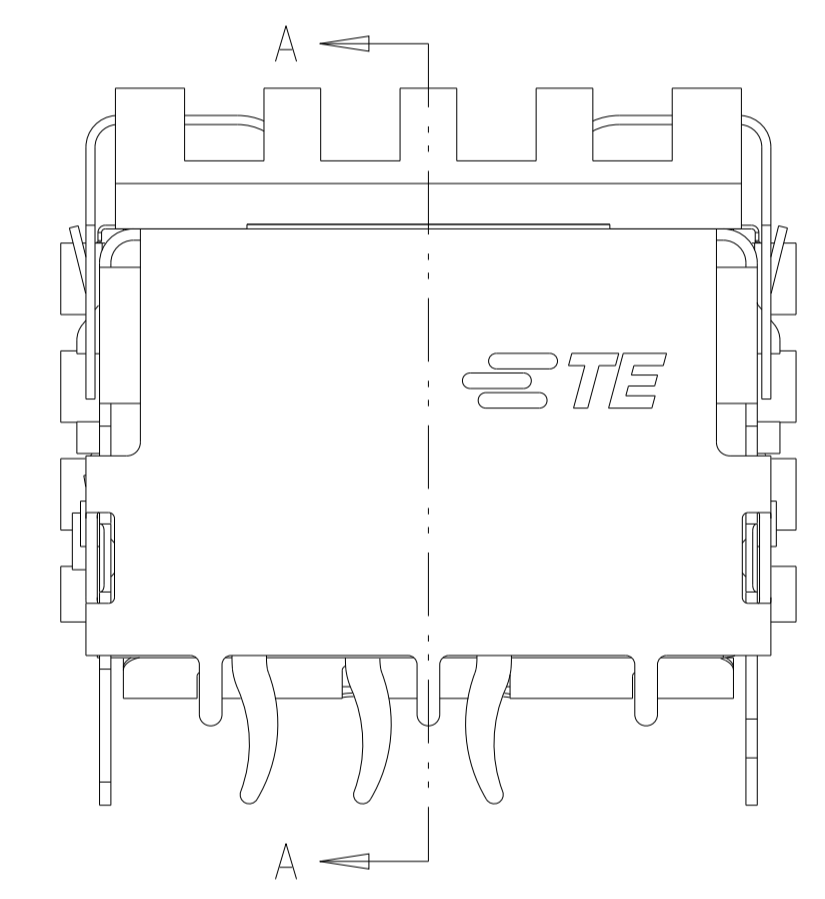
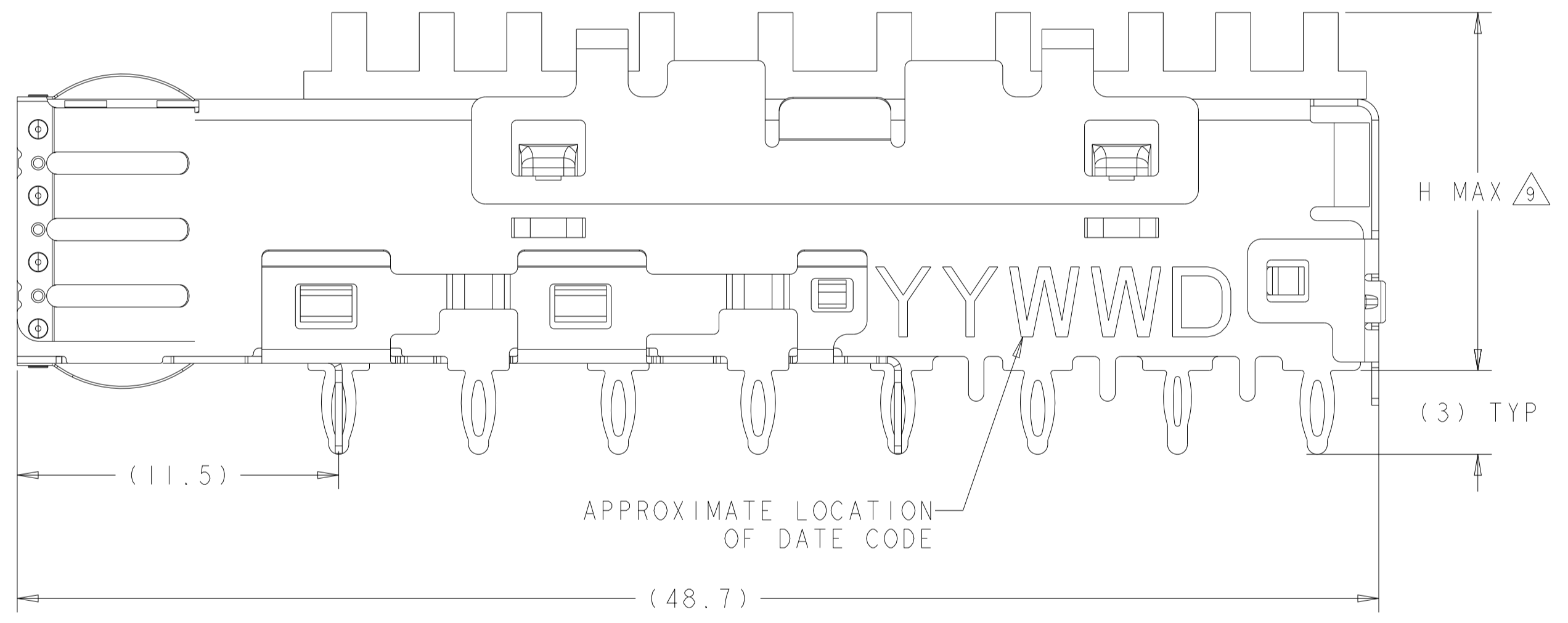
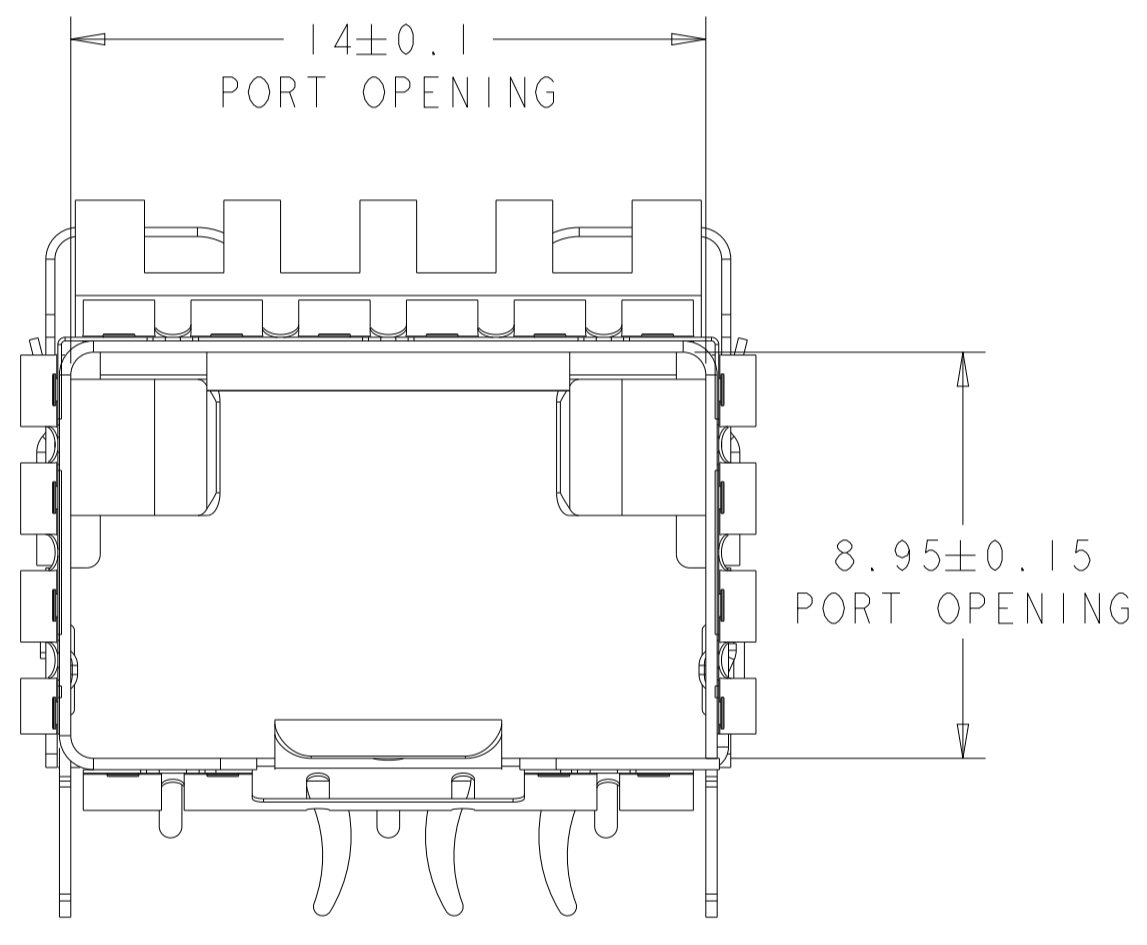
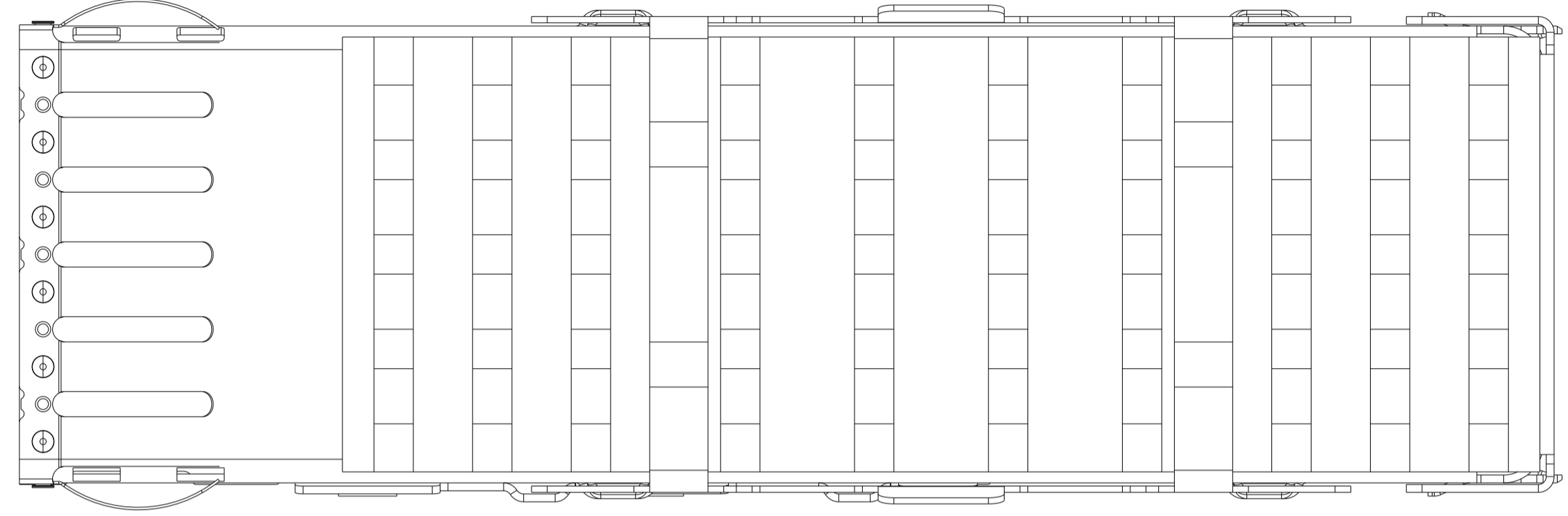
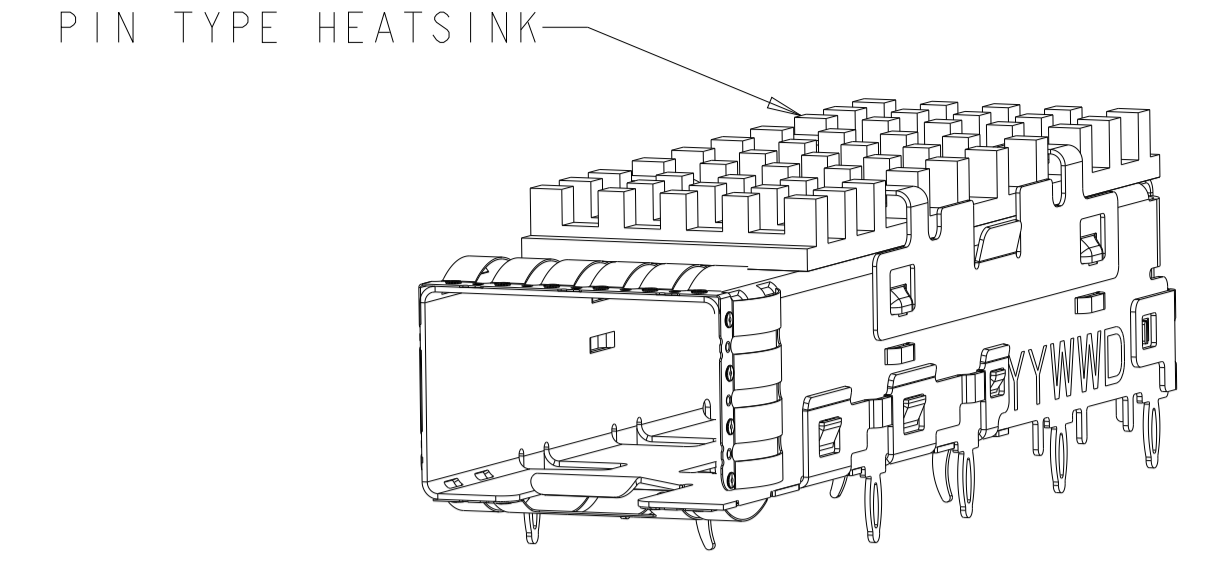
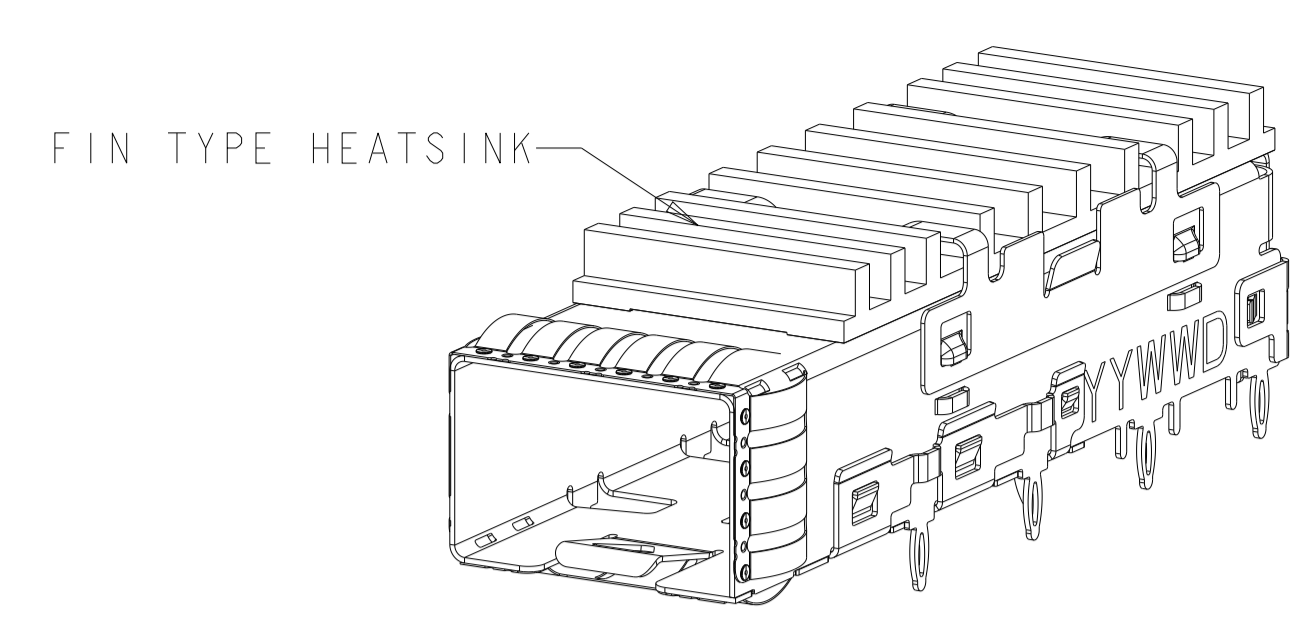
3. MATES WITH SFP MSA COMPLIANT TRANSCEIVERS.

4 PADS AND VIAS CHASSIS GROUND.

5 DATUM AND BASIC DIMENSION ESTABLISHED BY CUSTOMER.

6. MINIMUM PC BOARD THICKNESS:
 SINGLE SIDED = 1.50mm
 DOUBLE SIDED = 3.00mm

7 REFERENCE APPLICATION SPEC. 114-13120, HOLE A, FOR
 RECOMMENDED DRILL HOLE DIAMETER AND PLATING THICKNESS.

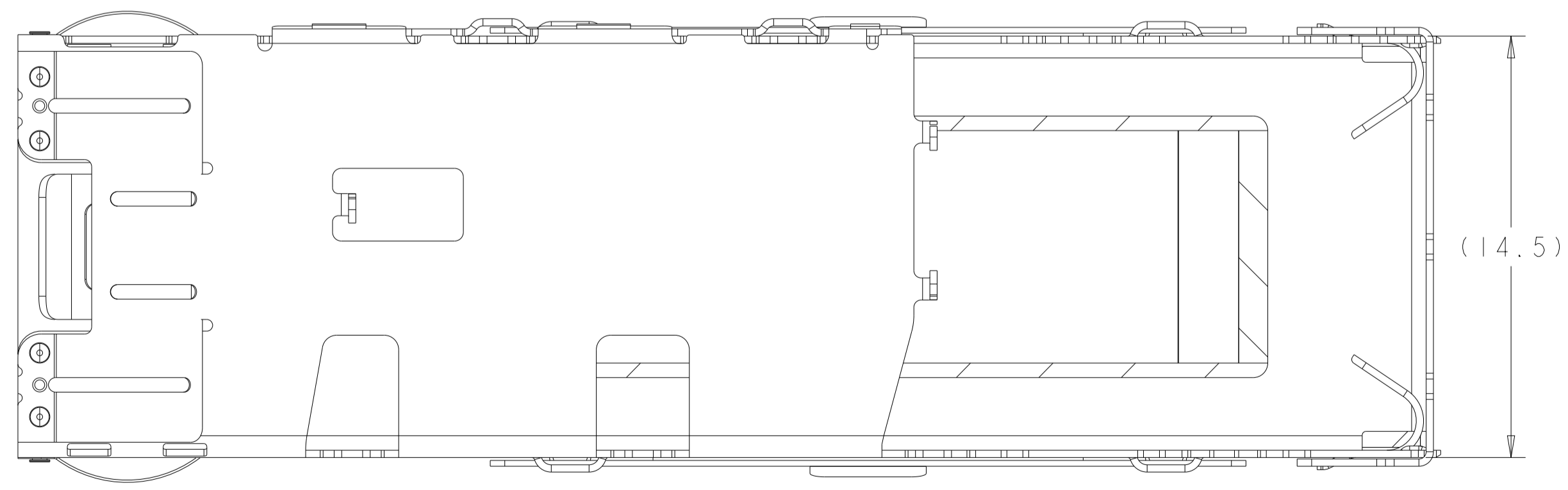


8 REFERENCE APPLICATION SPEC. 114-13120, HOLE C, FOR
 RECOMMENDED DRILL HOLE DIAMETER AND PLATING THICKNESS.

9 DIMENSION APPLIES PRIOR TO INSERTION OF SFP MODULE.

10. CAGE ASSEMBLY, HEATSINK CLIP AND HEATSINK SHIPPED
 ASSEMBLED.

11 FINISH:
 HEATSINK - BLACK ANODIZED
 HEATSINK CLIP - PASSIVATE
 EMI SPRING(S) - 0.8um MIN MATTE TIN OVER 0.8um MIN NICKEL,
 NON-PLATED EDGES PERMISSIBLE.

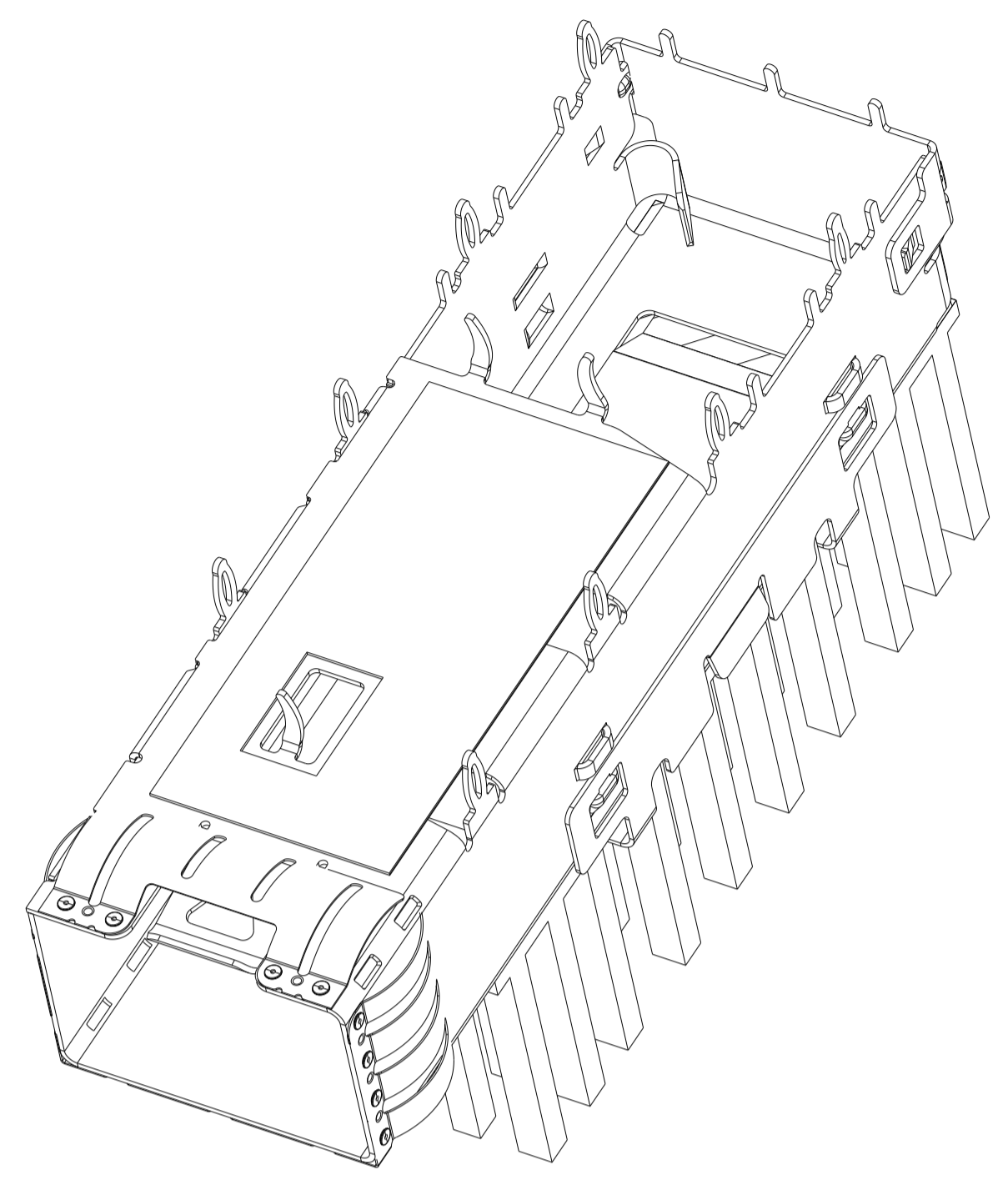


1	WITHOUT	22.8	30°	REF	PIN TYPE	1-2291634-2	
1	WITHOUT	13.5	30°	REF	PIN TYPE	1-2291634-1	
2	WITHOUT	13.5	30°	REF	FIN TYPE	1-2291634-0	
2	WITHOUT	13.5	15°	REF	PIN TYPE	2291634-9	
2	WITH	22.8	30°	REF	FIN TYPE	2291634-8	
2	WITHOUT	22.8	30°	REF	FIN TYPE	2291634-7	
2	WITHOUT	15.8	30°	REF	FIN TYPE	2291634-6	
2	WITHOUT	13.5	30°	REF	FIN TYPE	2291634-5	
2	WITH	22.8	30°	REF	PIN TYPE	2291634-4	
2	WITHOUT	22.8	30°	REF	PIN TYPE	2291634-3	
2	WITHOUT	15.8	30°	REF	PIN TYPE	2291634-2	
2	WITHOUT	13.5	30°	REF	PIN TYPE	2291634-1	
INSULATING TAPE H MAX					DIM A	HEAT SINK TYPE	PART NUMBER

THIS DRAWING IS A CONTROLLED DOCUMENT.

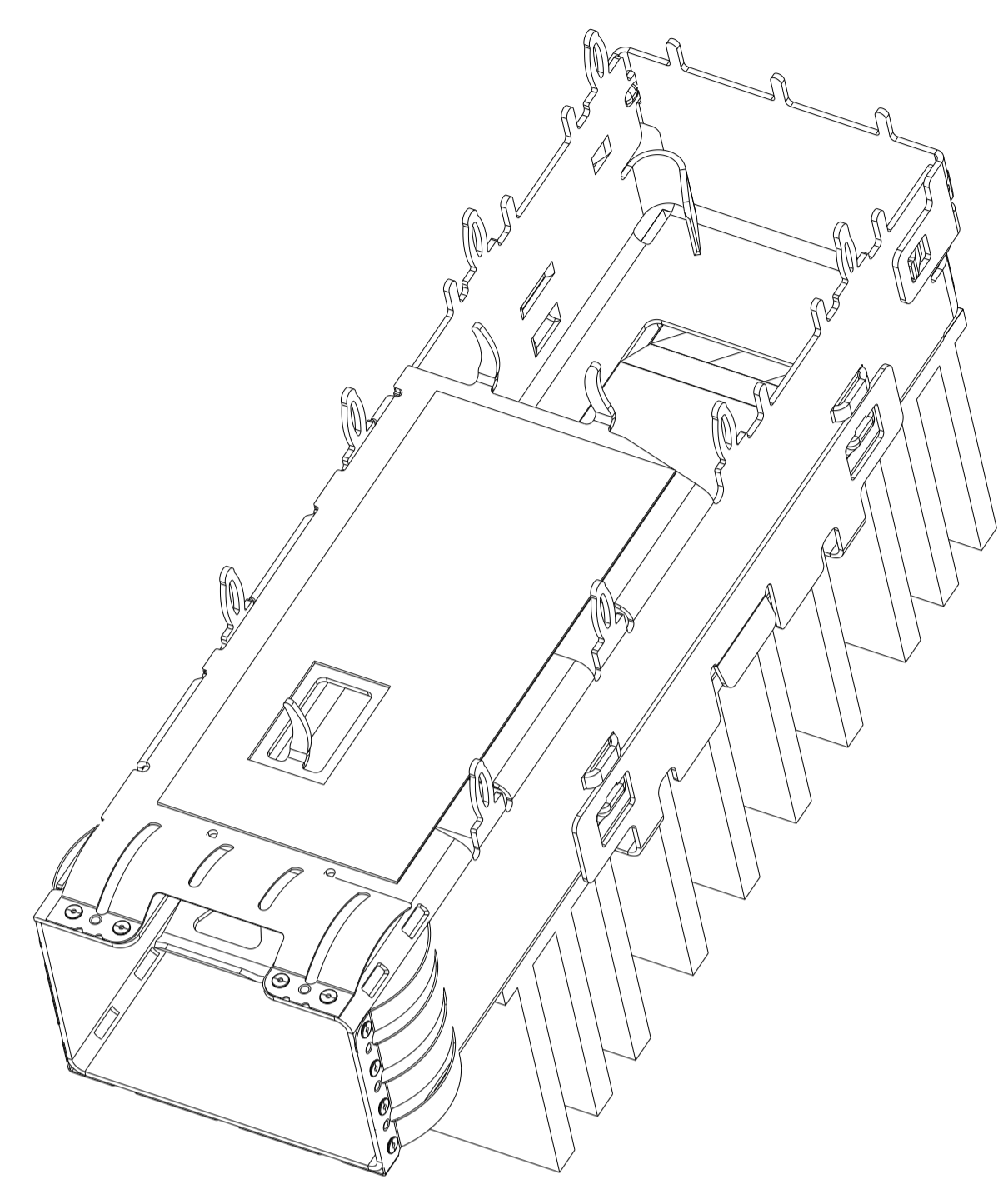
OWN: PETER PAN	17MAR2015		SFP+ IXI CAGE ASSEMBLY, PRESS-FIT PRESS-FIT, EMI SPRINGS WITH HEATSINK		
CHK: SEAN HAN	17MAR2015				
APVD: SEAN HAN	17MAR2015				
NAME: SEAN HAN	17MAR2015				
DIMENSIONS: mm	TOLERANCES UNLESS OTHERWISE SPECIFIED:	SIZE: A1	CAGE CODE: 00779	DRAWING NO: C=2291634	RESTRICTED TO: -
0 PLC ±0.1	1 PLC ±0.1	WEIGHT: -	SCALE: 6:1	SHEET: 1 OF 5	REV: A4
2 PLC ±0.1	3 PLC ±0.05	CUSTOMER DRAWING			
4 PLC ±0.05	ANGLES ±0.05				
MATERIAL: 1	FINISH: 2, 3				

LOC	DIST	REVISIONS					
		P	LYR	DESCRIPTION	DATE	OWN	APVD
GP	00	-	-	SEE SHEET 1	-	-	-

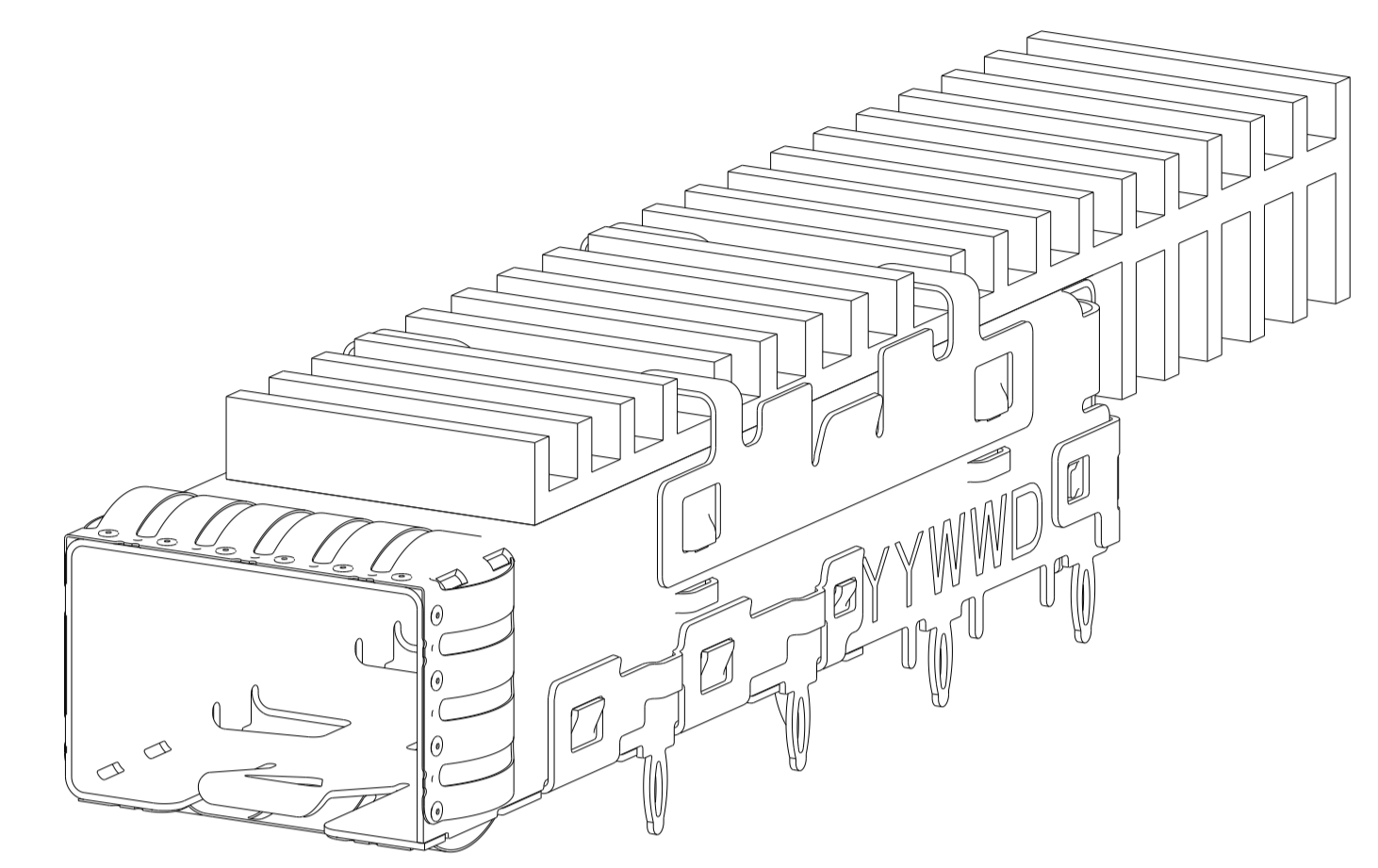


SCALE 4:1

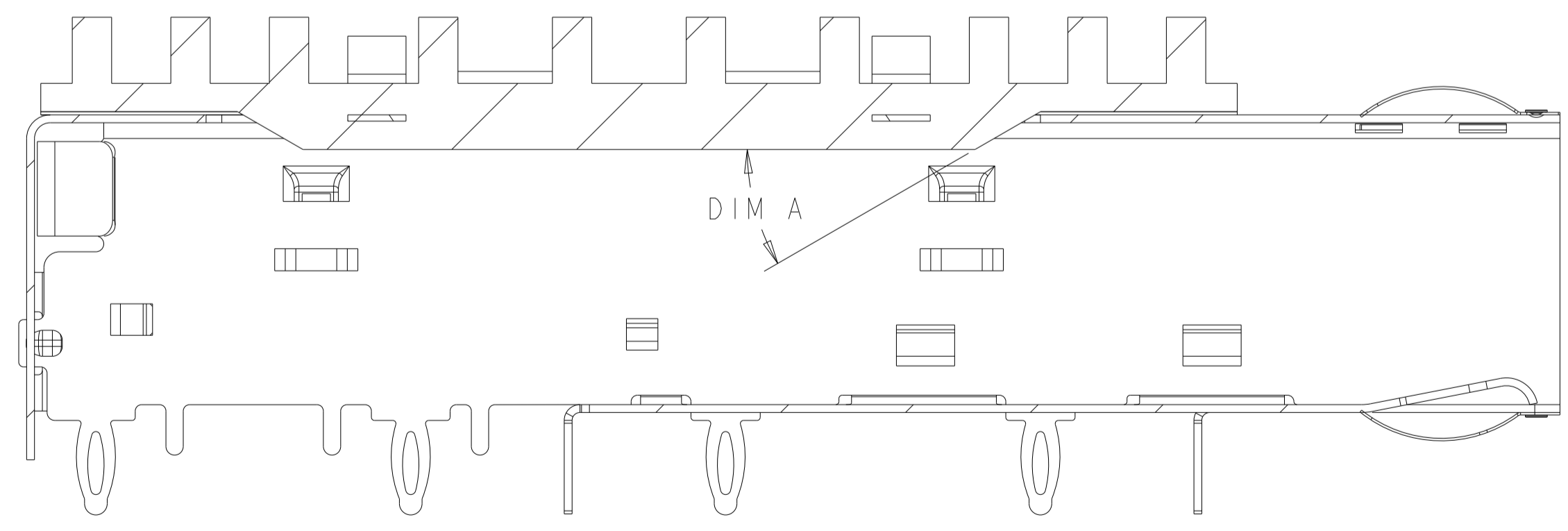
2291634-4 AS SHOWN WITH INSULATING TAPE, PIN TYPE HEAT SINK
 2291634-1, 2, 3, 9 WITHOUT INSULATING TAPE, TAPE, PIN TYPE HEAT SINK



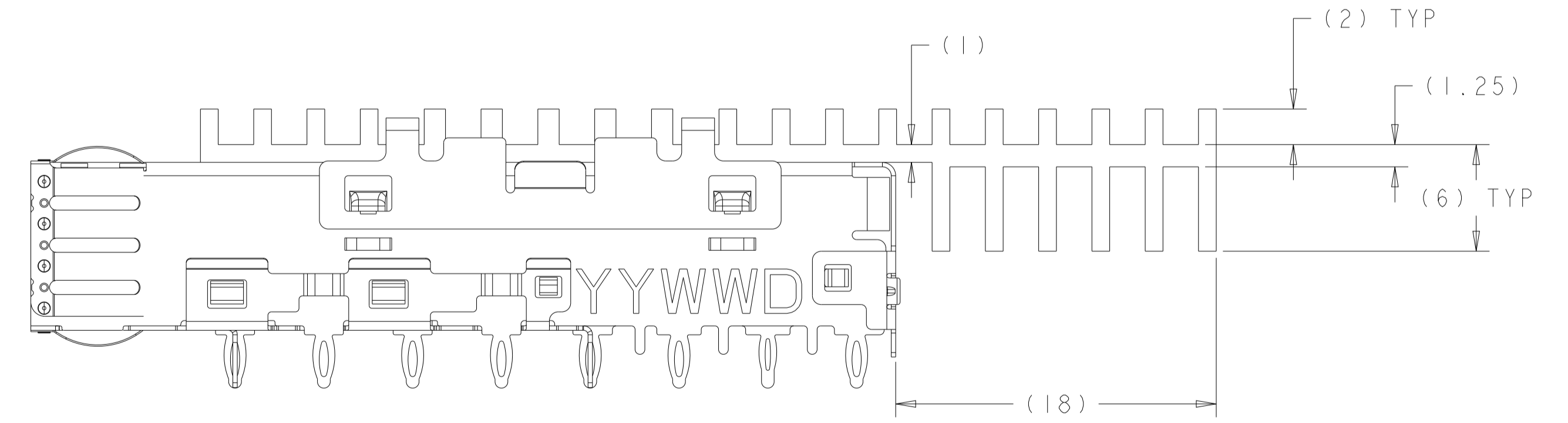
2291634-8 AS SHOWN WITH INSULATING TAPE, WITH FIN TYPE HEAT SINK
 2291634-5, 6, 7 WITHOUT INSULATING TAPE, WITH FIN TYPE HEAT SINK



1-2291634-0 AS SHOWN WITHOUT INSULATING TAPE, WITH EXTEND FIN TYPE HEAT SINK



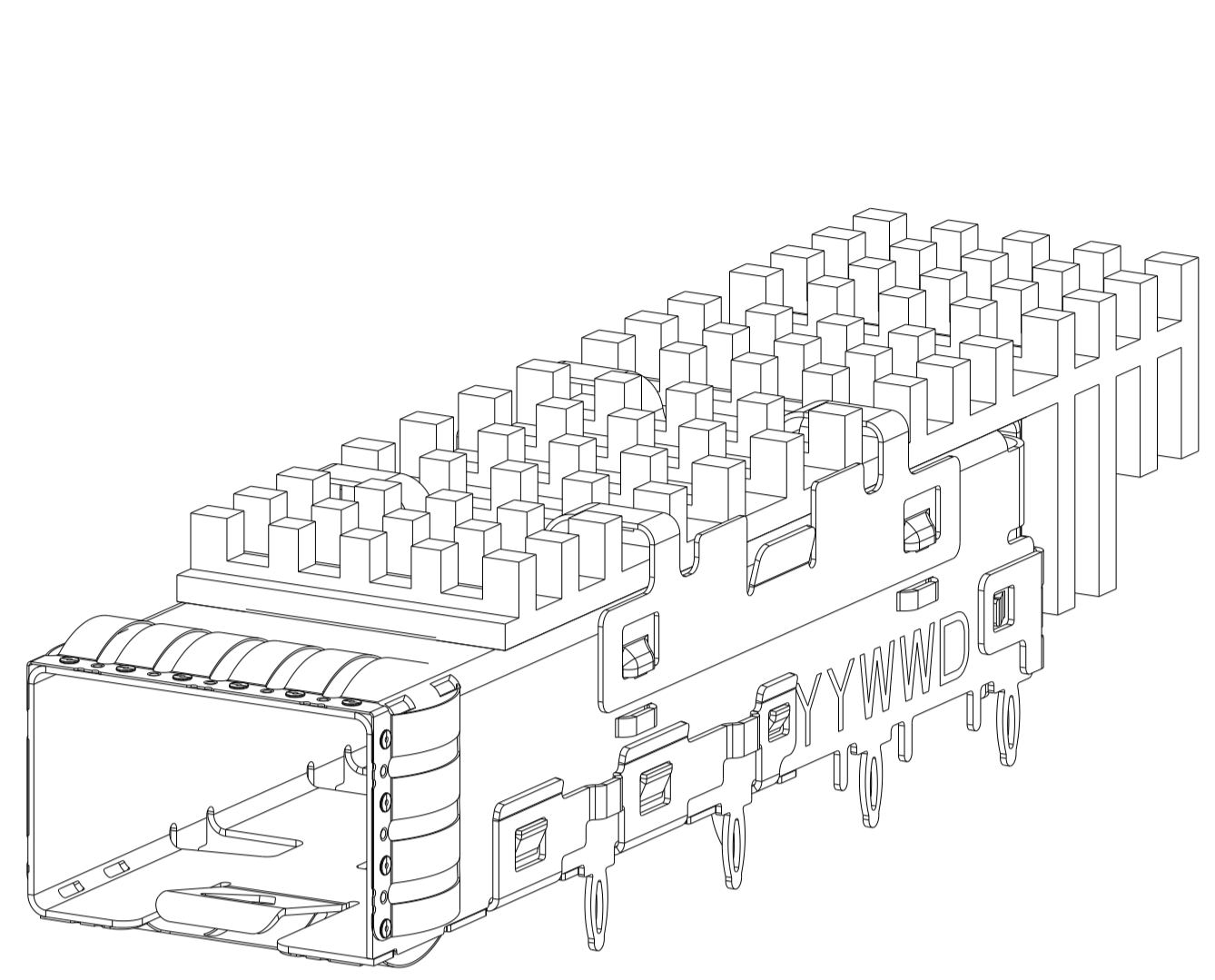
SECTION A-A



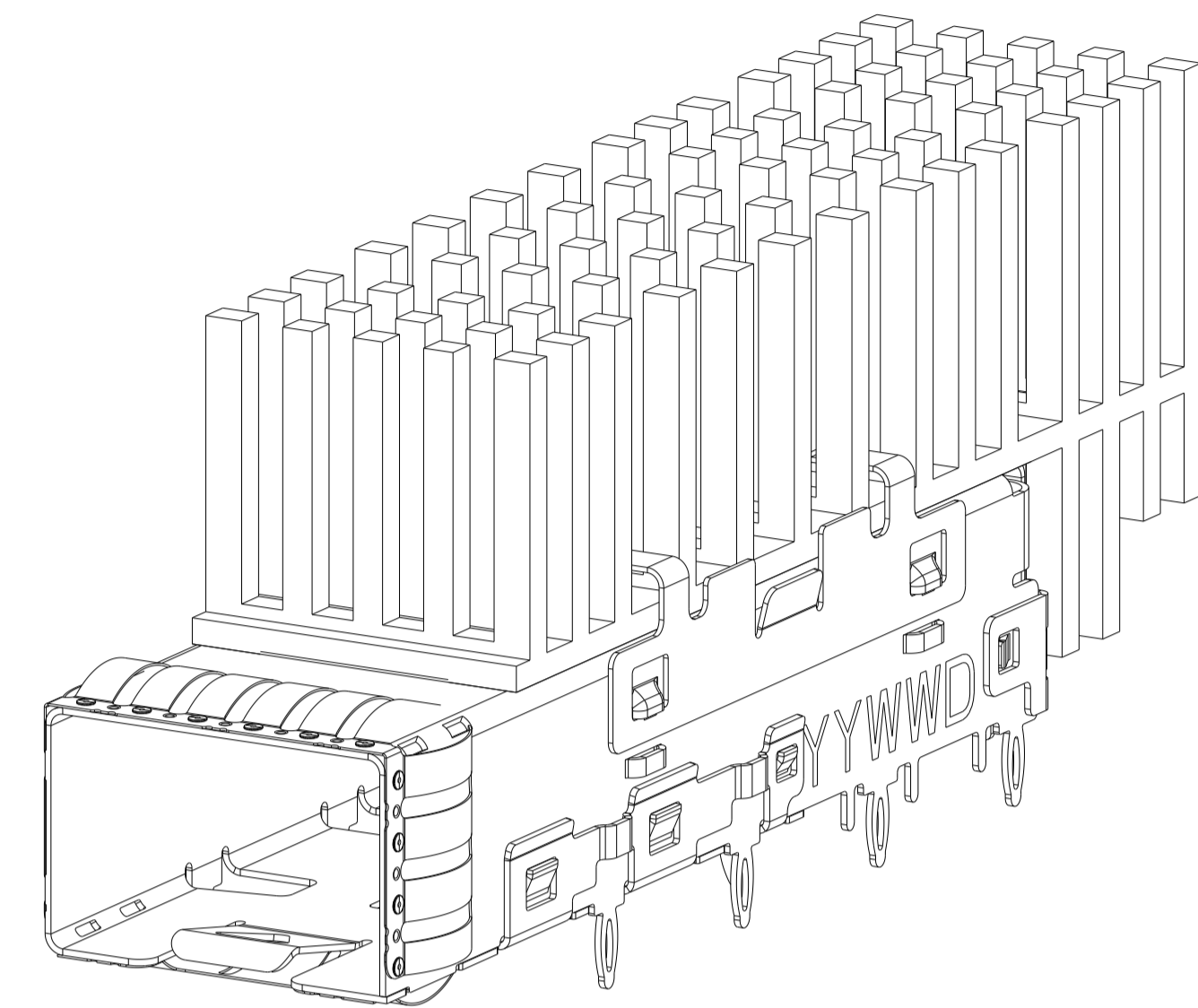
1-2291634-0 AS SHOWN EXCEPT HEATSINK SAME AS 2291634-1

THIS DRAWING IS A CONTROLLED DOCUMENT.		OWN: PETER PAN 17MAR2015	TE Connectivity
DIMENSIONS:		CHK: SEAN HAN 17MAR2015	
TOLERANCES UNLESS OTHERWISE SPECIFIED:		APVD: SEAN HAN 17MAR2015	
0 PLC ±0.1 1 PLC ±0.1 2 PLC ±0.1 3 PLC ±0.05 4 PLC ±0.05 ANGLES ±0.05 FINISH ±		NAME: SFP+ IXI CAGE ASSEMBLY, PRESS-FIT PRESS-FIT, EMI SPRINGS WITH HEATSINK	
MATERIAL:		PRODUCT SPEC: 108-2364	RESTRICTED TO:
		APPLICATION SPEC: 114-13120	SIZE: A1
		WEIGHT: -	CAGE CODE: 00779
		CUSTOMER DRAWING	DRAWING NO: 2291634
		SCALE: 2	SHEET: 2 OF 5
			REV: A4

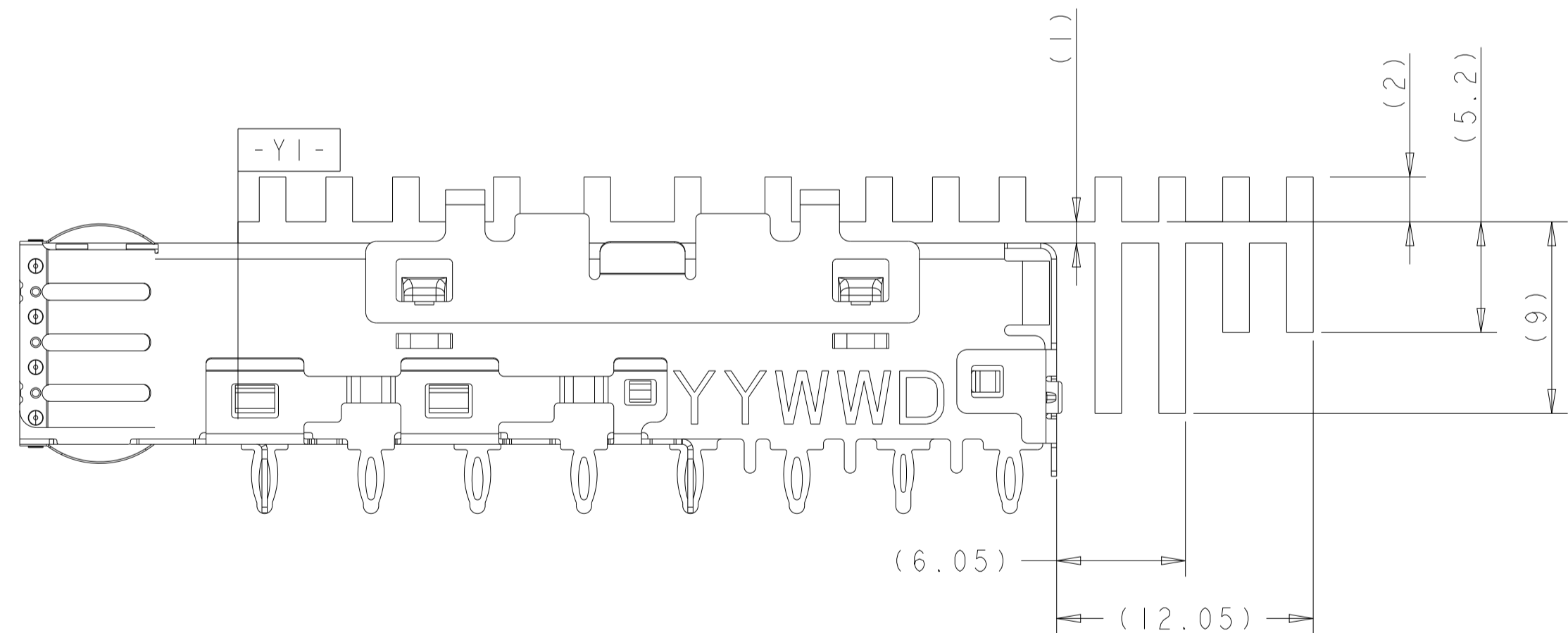
LOC	DIST	REVISIONS			
P	LTN	DESCRIPTION	DATE	DMN	APVD
-	-	SEE SHEET 1	-	-	-



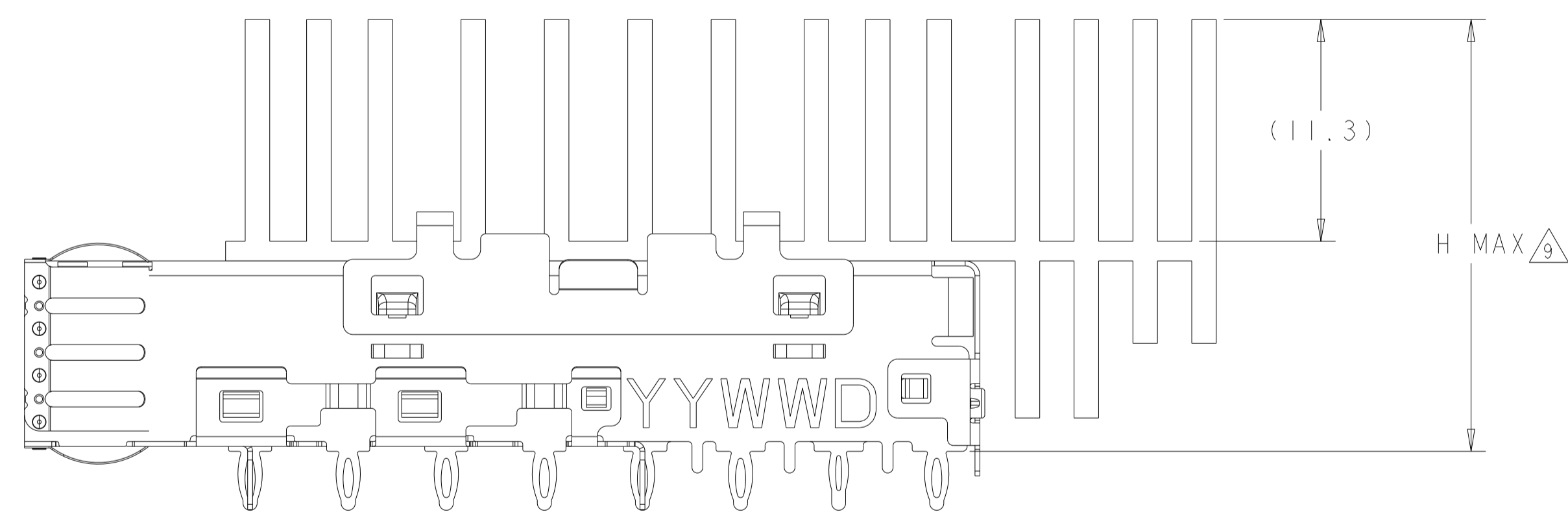
1-2291634-1 AS SHOWN
 WITHOUT INSULATING TAPE, WITH EXTEND PIN TYPE HEAT SINK



1-2291634-2 AS SHOWN
 WITHOUT INSULATING TAPE, WITH EXTEND PIN TYPE HEAT SINK



1-2291634-1 AS SHOWN
 EXCEPT HEATSINK SAME AS 2291634-1

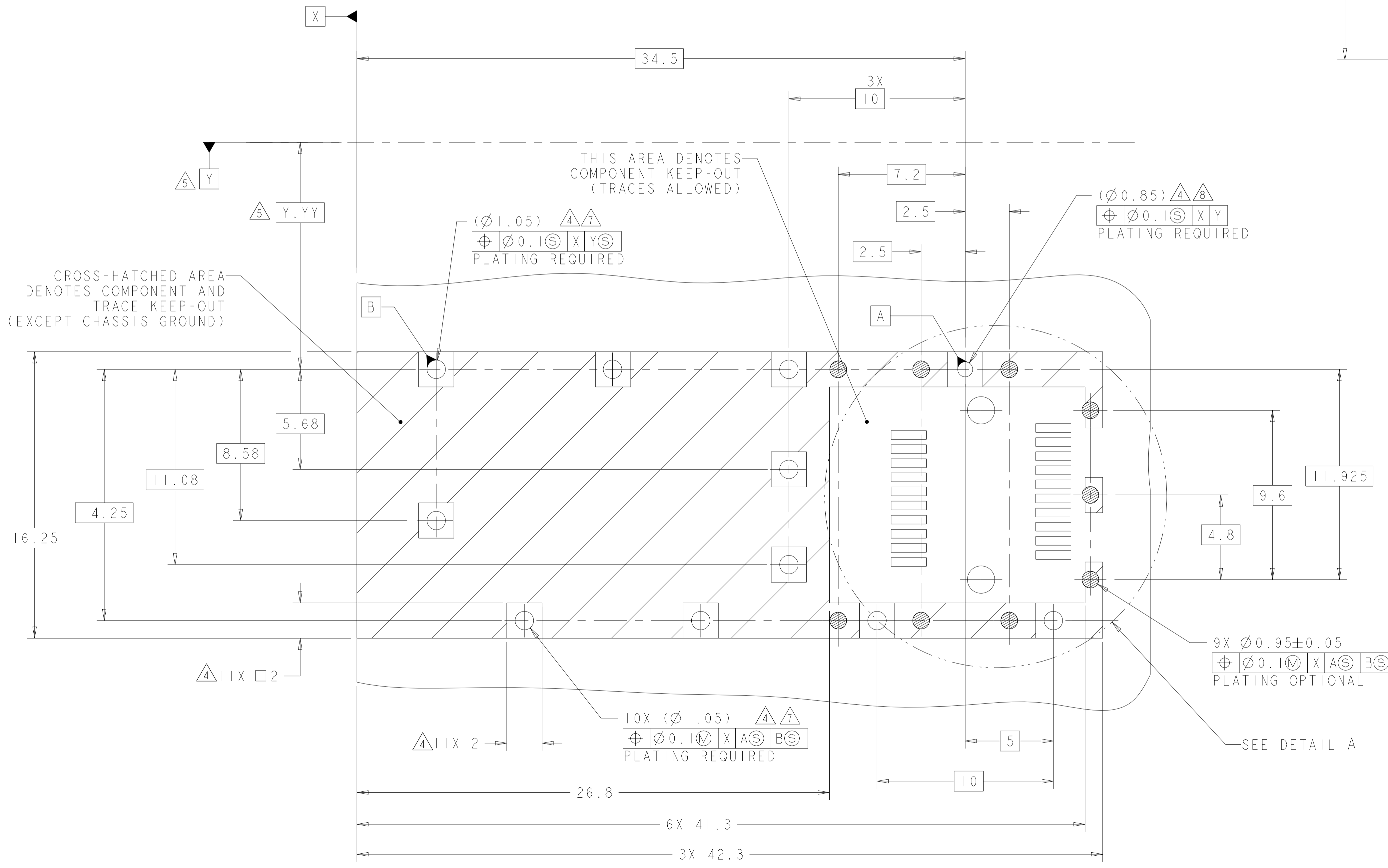
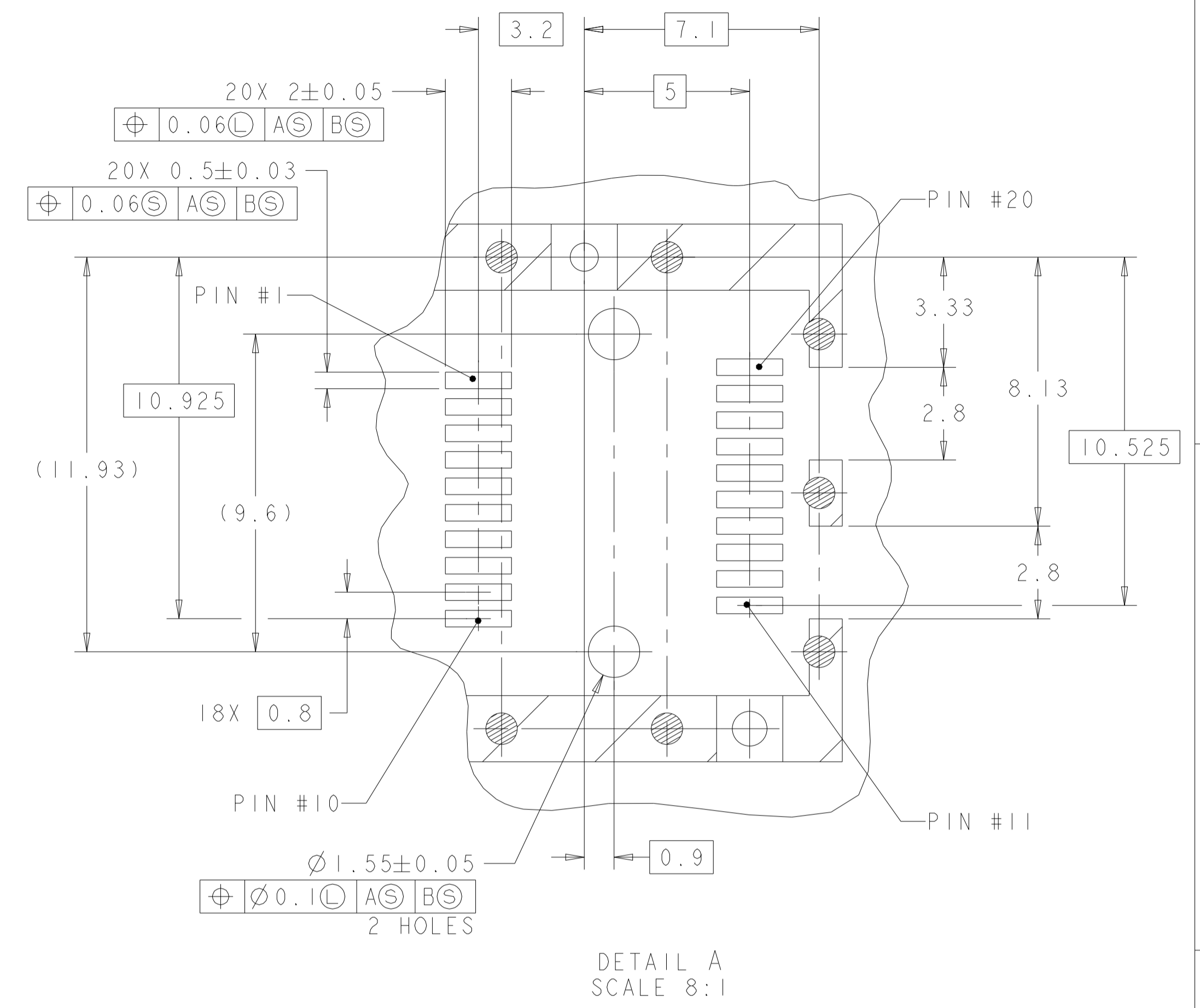
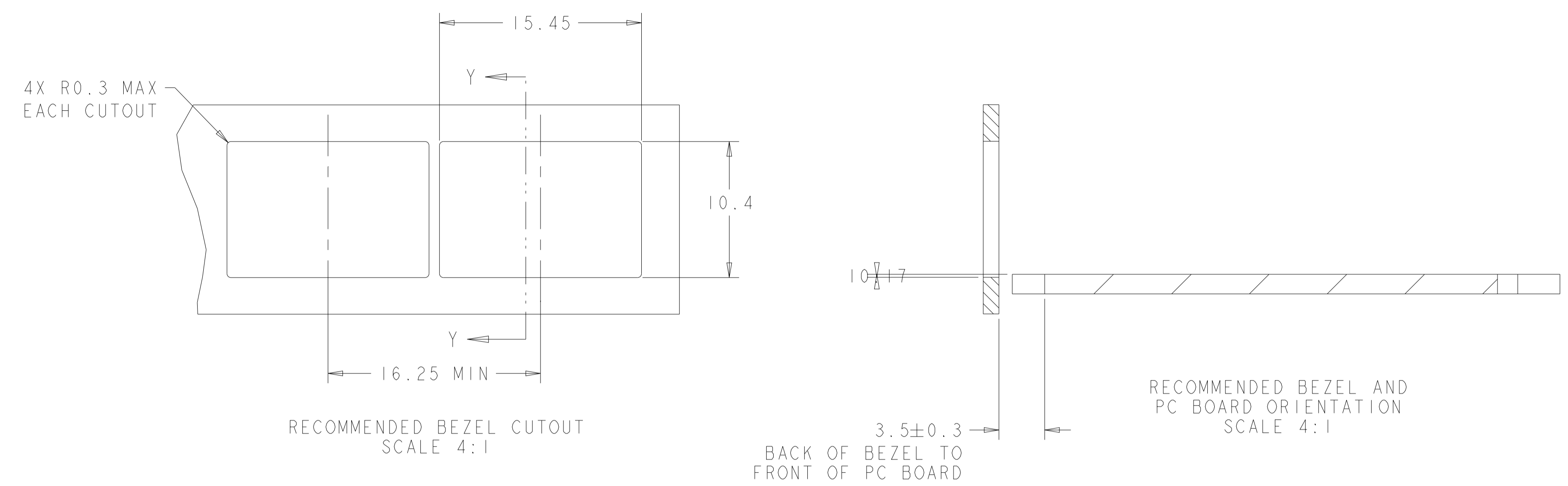


SCALE 4:1

1-2291634-2 AS SHOWN
 EXCEPT HEATSINK SAME AS 1-2291634-1

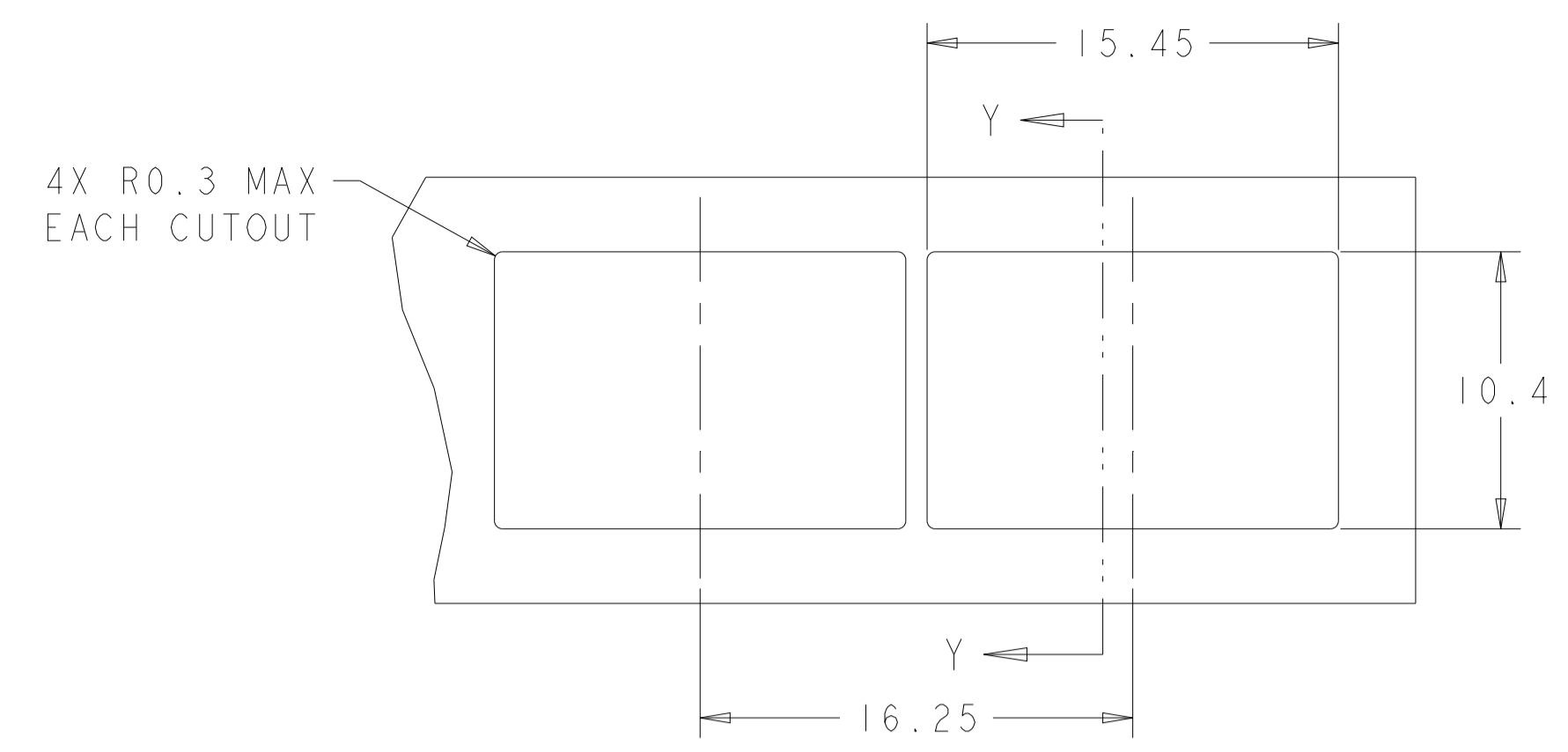
THIS DRAWING IS A CONTROLLED DOCUMENT.		DMN: PETER PAN 17MAR2015	TE Connectivity NAME: SFP+ IXI CAGE ASSEMBLY, PRESS-FIT PRESS-FIT, EMI SPRINGS WITH HEATSINK PRODUCT SPEC: 108-2364 APPLICATION SPEC: 114-13120 WEIGHT: - CUSTOMER DRAWING
DIMENSIONS:		CHK: SEAN HAN 17MAR2015	
TOLERANCES UNLESS OTHERWISE SPECIFIED:		APVD: SEAN HAN 17MAR2015	
mm 0 PLC ±0.1 1 PLC ±0.1 2 PLC ±0.1 3 PLC ±0.05 4 PLC ±0.05 ANGLES ±0.05 FINISH		SIZE: A1 CAGE CODE: 00779 DRAWING NO: C=2291634 SCALE: 6:1 SHEET: 3 OF 5 REV: A4	

LOC	DIST	REVISIONS			
GP	00	REV	DATE	BY	APPR
		1			
		2			
		3			
		4			
		5			
		6			
		7			
		8			

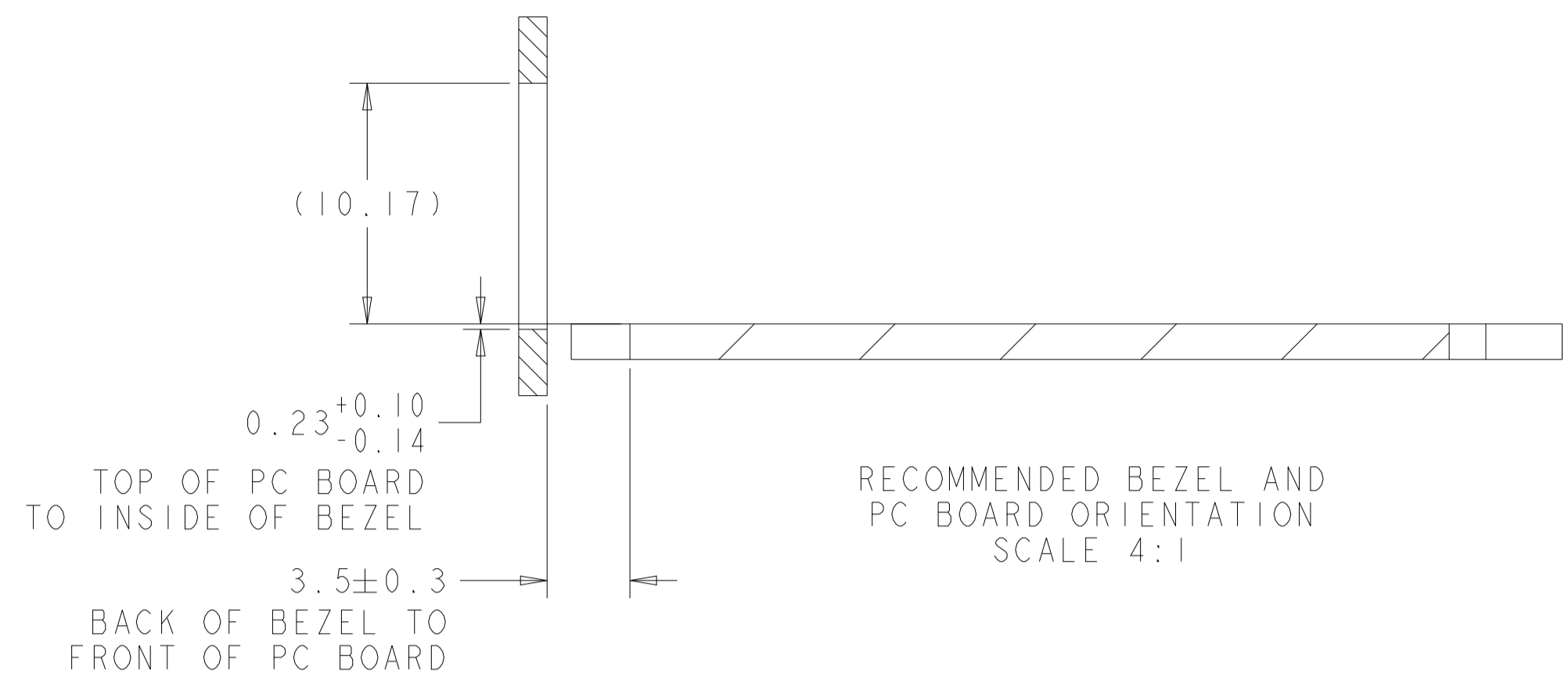


THIS DRAWING IS A CONTROLLED DOCUMENT.		OWN: PETER PAN 17MAR2015	TE Connectivity
DIMENSIONS: mm		CHK: SEAN HAN 17MAR2015	
TOLERANCES UNLESS OTHERWISE SPECIFIED:		APPR: SEAN HAN 17MAR2015	NAME: SFP+ 1X1 CAGE ASSEMBLY, PRESS-FIT PRESS-FIT, EMI SPRINGS WITH HEATSINK
0 PLC ±0.1		PRODUCT SPEC: 108-2364	SIZE: A1
1 PLC ±0.1		APPLICATION SPEC: 114-13120	CAGE CODE: C=2291634
2 PLC ±0.1		WEIGHT: -	RESTRICTED TO: -
3 PLC ±0.05		CUSTOMER DRAWING	SCALE: 2
4 PLC ±0.05			SHEET: 4 OF 5
ANGLES ±0.05			REV: A4
FINISH: -			

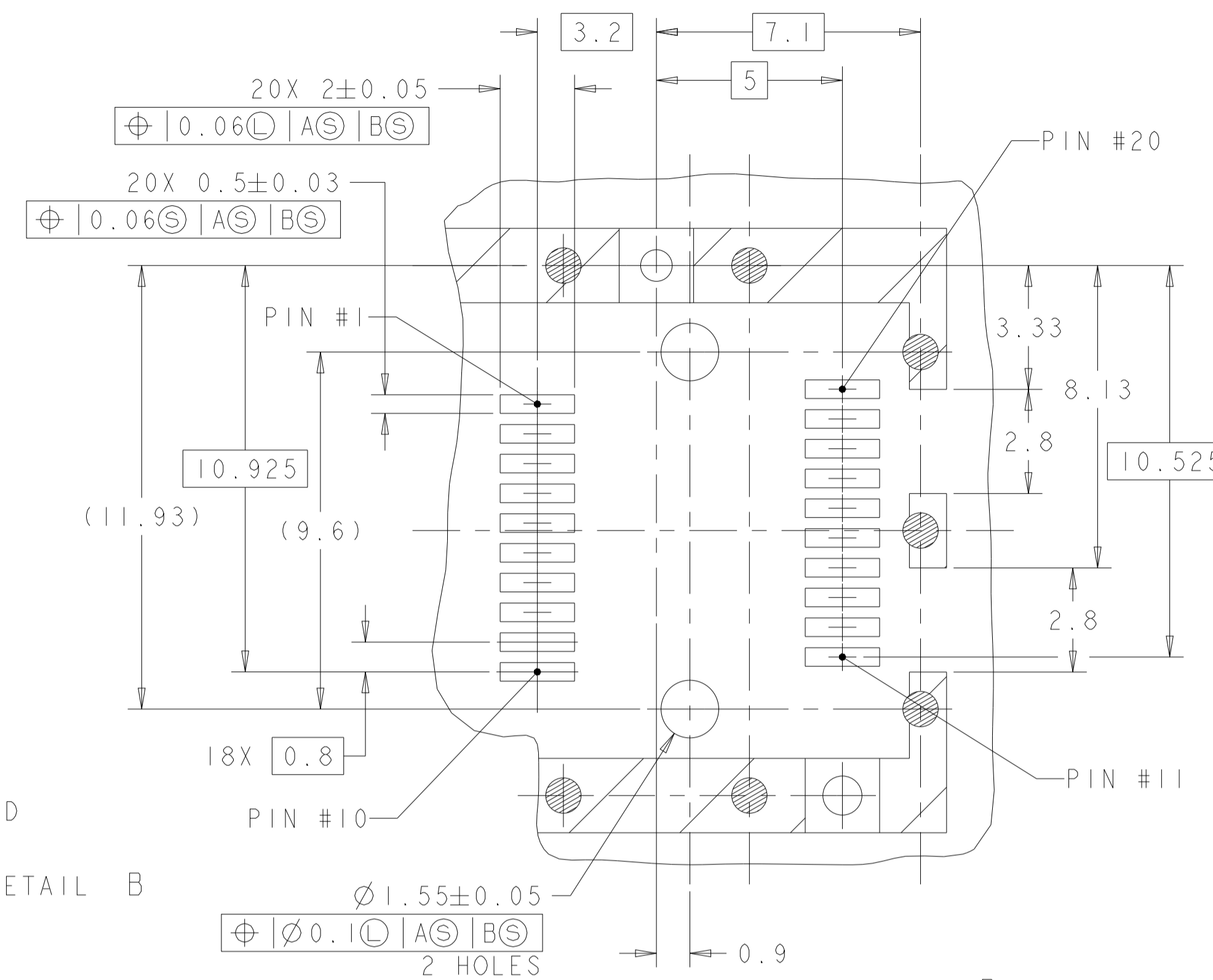
LOC	DIST	REV	DATE	OWN	APVD
GP	00				



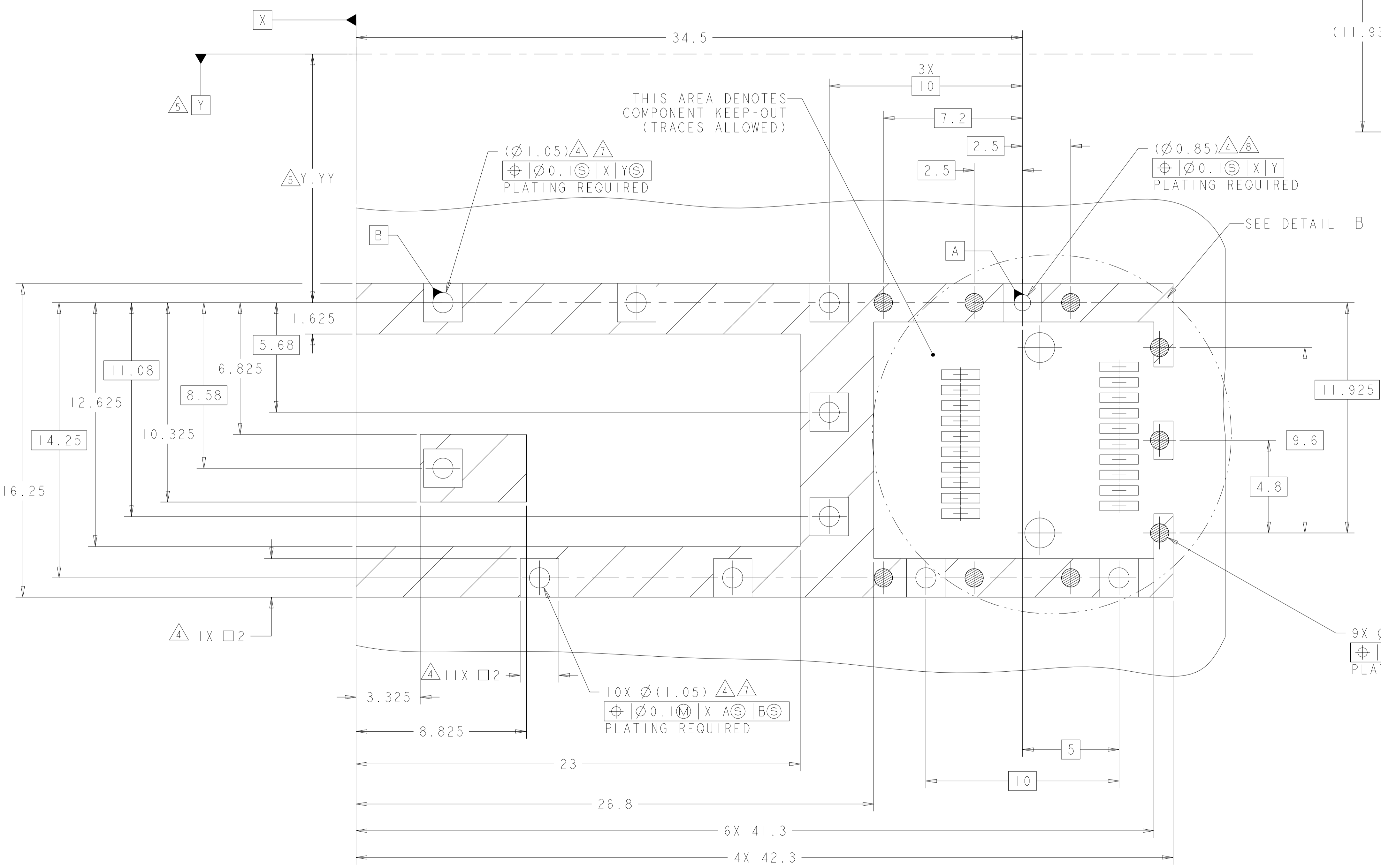
RECOMMENDED BEZEL CUTOUT
SCALE 4:1



RECOMMENDED BEZEL AND
PC BOARD ORIENTATION
SCALE 4:1



DETAIL B
SCALE 8:1



RECOMMENDED PCB LAYOUT FOR WITH
INSULATING TAPE PART
SCALE 8:1

THIS DRAWING IS A CONTROLLED DOCUMENT.		OWN: PETER PAN 17MAR2015	TE Connectivity
DIMENSIONS: mm		CHK: SEAN HAN 17MAR2015	
TOLERANCES UNLESS OTHERWISE SPECIFIED:		APVD: SEAN HAN 17MAR2015	
0 PLC ±0.1 1 PLC ±0.1 2 PLC ±0.1 3 PLC ±0.05 4 PLC ±0.05 ANGLES ±0.05 MATERIAL FINISH		NAME: SFP+ IXI CAGE ASSEMBLY, PRESS-FIT PRESS-FIT, EMI SPRINGS WITH HEATSINK	
MATERIAL		PRODUCT SPEC: 108-2364	SIZE: A1
		APPLICATION SPEC: 114-13120	CAGE CODE: 00779
		WEIGHT: -	DRAWING NO: C=2291634
		CUSTOMER DRAWING	RESTRICTED TO: -
		SCALE: 2	SHEET: 5 OF 5
			REV: A4

单击下面可查看定价，库存，交付和生命周期等信息

[>>TE Connectivity\(泰科\)](#)