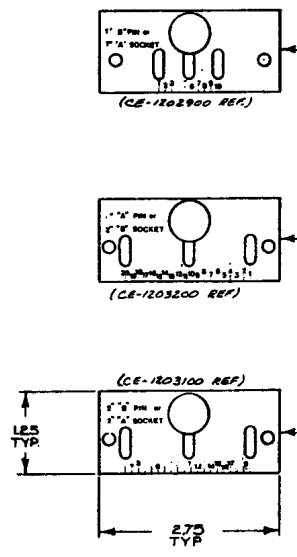
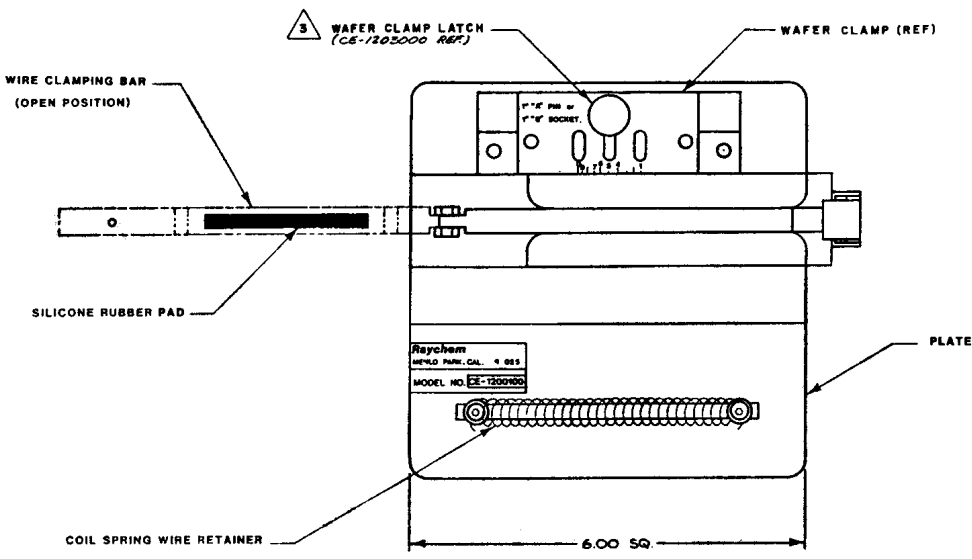
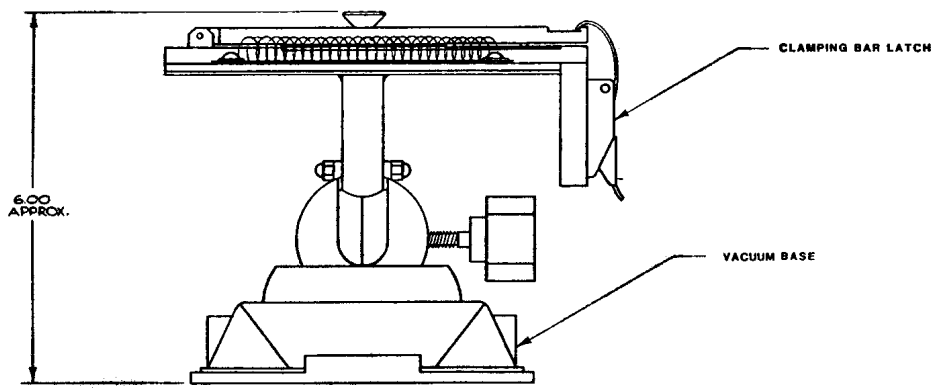


ZONE LTR		REVISIONS	DESCRIPTION	DATE	APPROVED
C					
D			CHANGED NOTE $\Delta$ PER ECR 00076	01/17/88	JHE
E			CHANGED TERM FROM COVER TO CLAMP PER ECR 00087.	11/10	JMC
F			ADDED DIM. NO. TO WAFER CLAMP ECR 00074	5-12-81	JMC
G			REV PER ECO 17-010935	CT 7-17	CD



WAFER CLAMP SET (4 PIECES) - TO INCLUDE CLAMP SHOWN ON FIXTURE



**NOTES:**

1. THIS FIXTURE FOR USE WITH MTC 100 ELECTRICAL CONNECTOR. WAFERS MANUFACTURED BY RAYCHEM CORPORATION
  2. REFER TO ES 81102 FOR FURTHER OPERATING INSTRUCTIONS
- $\Delta$  SPARE PART ITEM- GROMMET P/N 22556-9 AND PLUNGER P/N 26855-5

**CONNECTOR SPECIFICATION CONTROL DRAWING**

ITEM	QTY.	PART NUMBER	DWG. OR SPEC.	PARTS LIST		DESCRIPTION	
THIS DRAWING AND THE INFORMATION SET FORTH HEREON ARE THE PROPERTY OF RAYCHEM CORPORATION, AND ARE TO BE HELD IN TRUST AND CONFIDENCE. PUBLICATION, DUPLICATION, DISCLOSURE, OR USE FOR ANY PURPOSE NOT EXPRESSLY AUTHORIZED IN WRITING BY RAYCHEM CORPORATION IS PROHIBITED.				DRAWN CHECKED APPROVED APPROVED	RJB ES [Signature] [Signature]	12/27/77 1/10/80 1/10/80	
				MATERIAL FINISH		<b>Raychem</b> TITLE <b>BENCH TERMINATION FIXTURE, MTC WAFERS</b>	
DO NOT SCALE THIS DRAWING		NEXT ASSY APPLICATION	USED ON	PART NUMBER <b>965003</b>	SIZE D	CODE IDENT. NO. 06080	DWG. NO. <b>CE-1200100</b>
				SCALE FULL	1 SHEET 1 of 1	REV G	

If this document is printed it becomes uncontrolled. Check with the web for latest revision.

单击下面可查看定价，库存，交付和生命周期等信息

[>>TE Connectivity\(泰科\)](#)