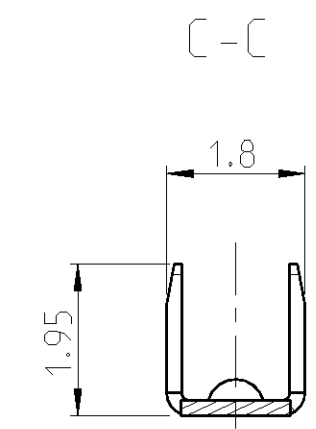
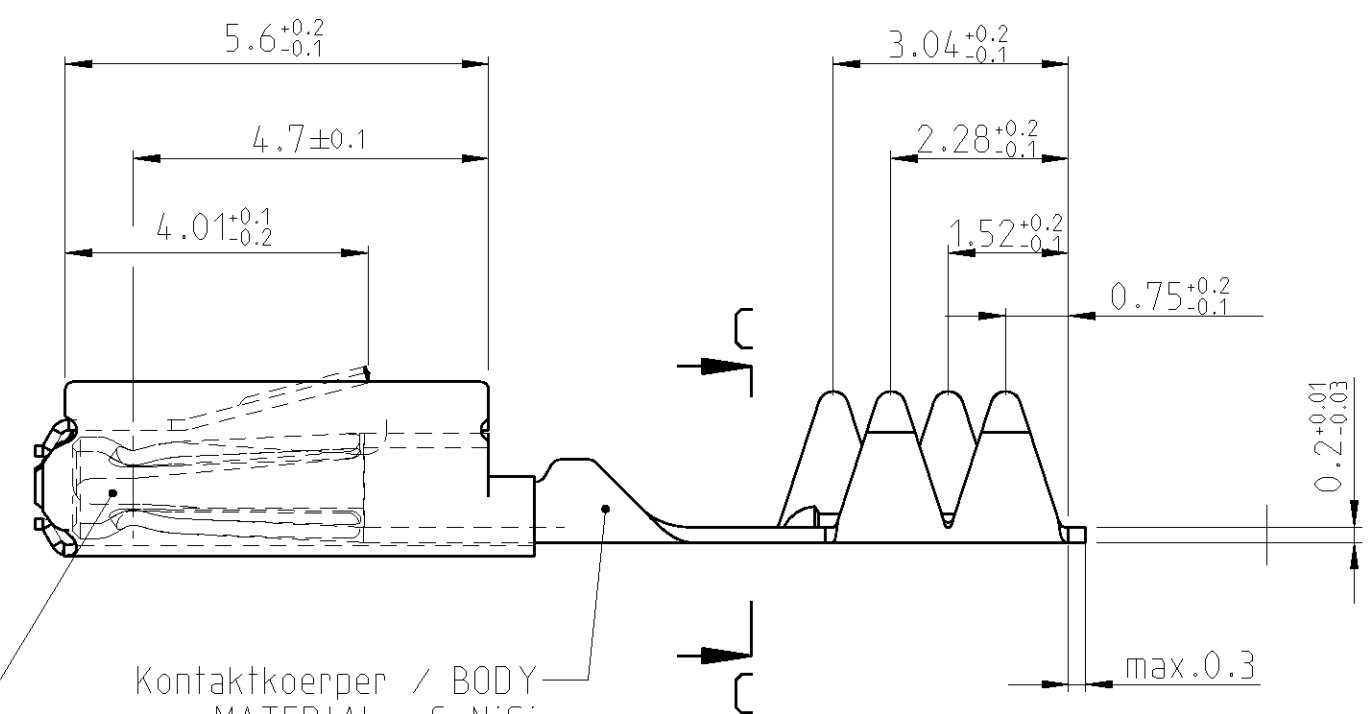


THIS DRAWING IS UNPUBLISHED. RELEASED FOR PUBLICATION 2004
 © COPYRIGHT 1999 - ALL RIGHTS RESERVED.

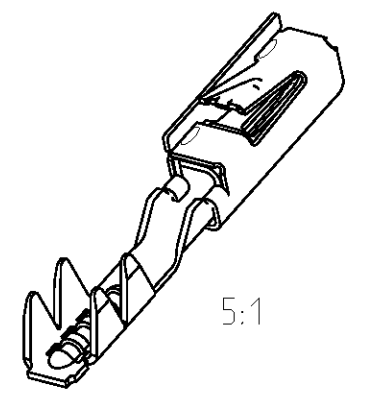
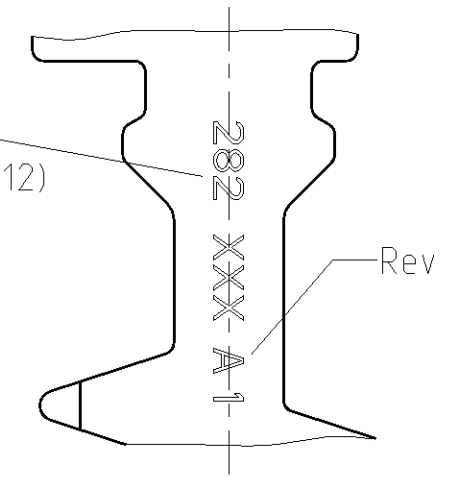
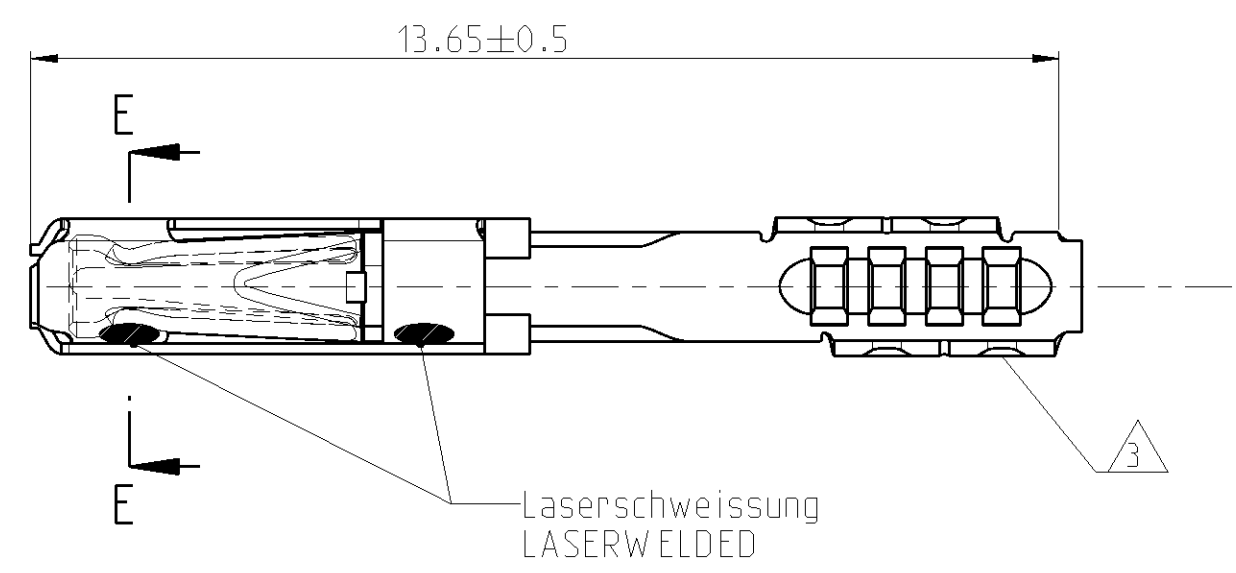
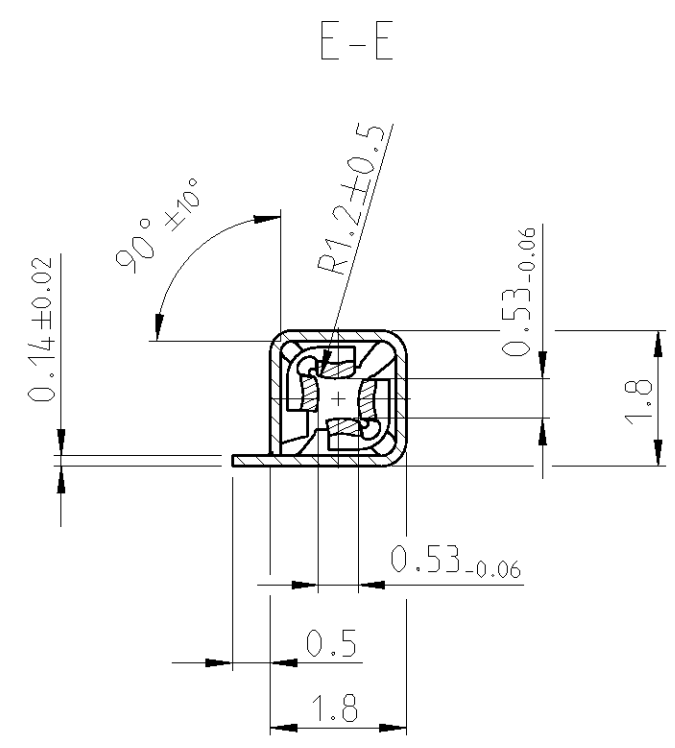
LOC		DIST		REVISIONS			
P	LTR	DESCRIPTION	DATE	DWN	APVD		
A1	-	EG00 0129 99	19FEB1999	SG	RJ		
A2	-	EGAO 0795 04	05APR2004	Abr	HK		
A3	-	ECR-11-016077	08NOV2012	Abr	Brun		
A4	-	ECR-13-015135	27SEP2013	Abr	Brun		



Ueberfeder / SPRING MATERIAL : X10CrNi 18 8
 Oberflaeche / SURFACE : BLANK
 Kontaktkoerper / BODY MATERIAL : CuNiSi
 Oberflaeche : siehe Tabelle
 SURFACE : SEE CHART

Bemerkungen
 NOTES

- Einzelheiten der Ausfuehrung bleiben dem Hersteller ueberlassen
 DETAILS OF DESIGN ARE LEFT TO MANUFACTURER
- Passend zu Stifkontakt siehe Zeichnung : 929453
 SUITABLE FOR PIN CONTACT SEE DRAWING : 929453
- passend fuer flexiblen Flachleiter PN 88586
 SUITABLE FOR FFC PN 88586
- Datumscode (Woche / Jahr, z.B. KW28 / Jahr 2012)
 und TE-Revision (z.B.Rev.A)
 DATE-CODE WEEK / YEAR (E.G. WEEK NUMBER 28/ YEAR 2012)
 AND TE REVISION (E.G. REV. A)



968987-1	A	Sn	0.1
Bandware Bestell-Nr	REV.	Oberflaeche SURFACE	Gewicht WEIGHT
STRIP ORDER NO.			g

THIS DRAWING IS A CONTROLLED DOCUMENT.		DWN S. Garcia 30APR1998	TE Connectivity	
DIMENSIONS: mm		CHK R. Jetter 30APR1998		
TOLERANCES UNLESS OTHERWISE SPECIFIED:		APVD Bleicher M. 05APR2004	NAME Micro Quadlok System	
0-PLC ±0.2		PRODUCT SPEC 108-18030	MQS-Buchsenkontakt mit FFC Crimp	
1-PLC ±0.2		APPLICATION SPEC 114-18287	FLEXIBLE FLAT CABLE SOCKET CONTACT	
2-PLC ±0.2		WEIGHT -	SIZE A2	CAGE CODE 00779
3-PLC ±0.2		Customer Drawing	DRAWING NO C-968987	RESTRICTED TO -
4-PLC ±1°			SCALE 10:1	SHEET 1 OF 1
ANGLES ±1°				REV A4
FINISH -				

单击下面可查看定价，库存，交付和生命周期等信息

[>>TE Connectivity\(泰科\)](#)