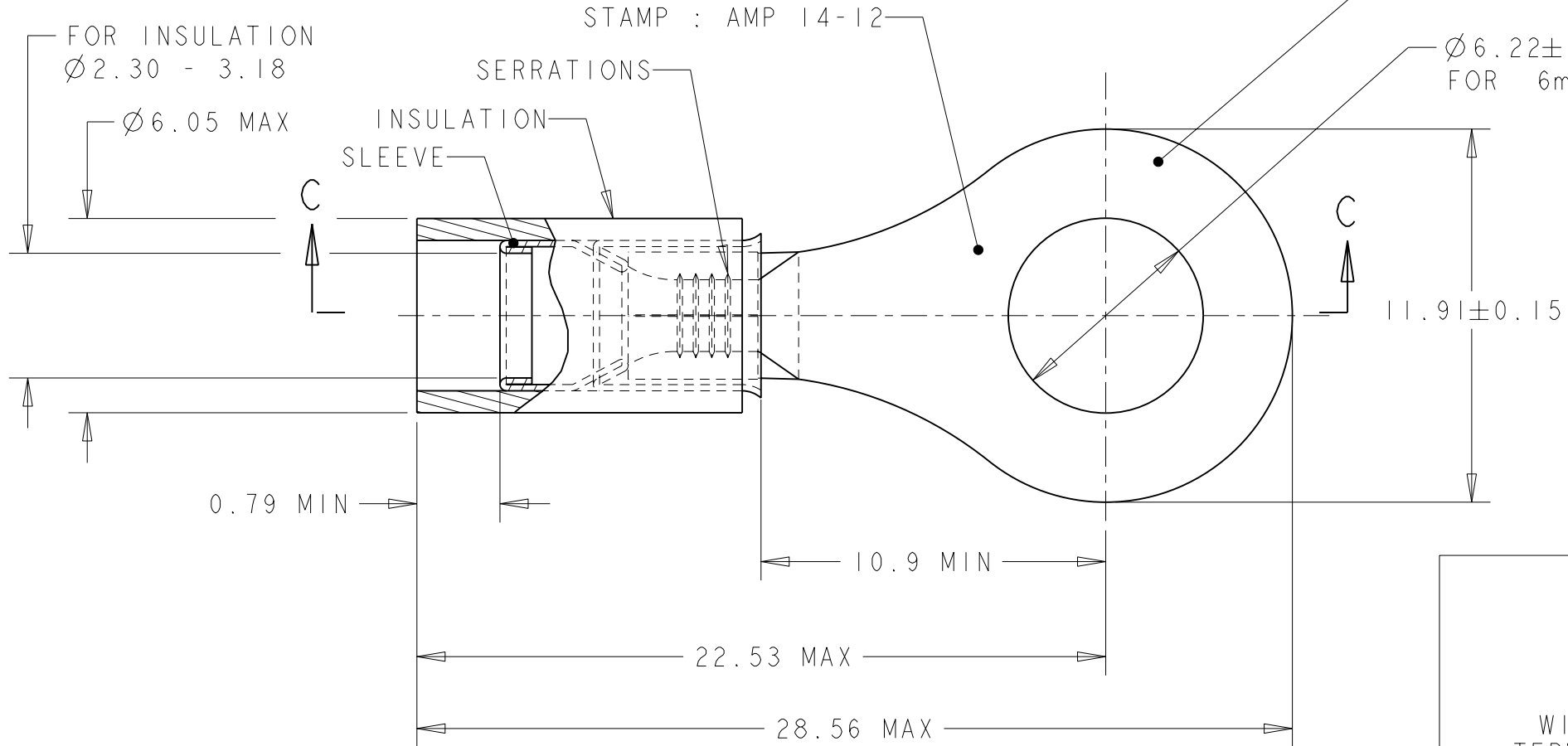
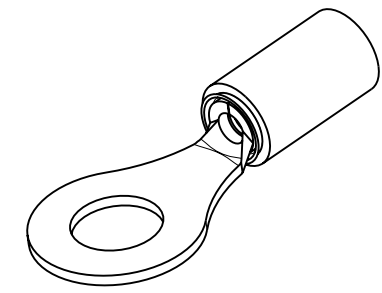
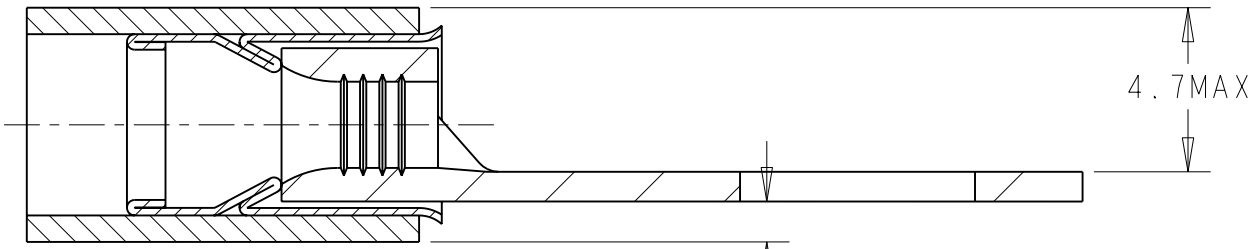


THIS DRAWING IS UNPUBLISHED. RELEASED FOR PUBLICATION 20
 © COPYRIGHT 20 BY TYCO ELECTRONICS CORPORATION. ALL RIGHTS RESERVED.

LOC	DIST	REVISIONS			
P	LTR	DESCRIPTION	DATE	DWN	APVD
F	00	A	NEW RELEASE	25MAR2008	PK YP
-	-	-	-	-	-
-	-	-	-	-	-

COUPE C-C



WIRE TERMINAL	1577966-1	BODY : COPPER ANNEALED FINISH : NICKEL PLATED
		SLEEVE : COPPER ANNEALED FINISH : NICKEL PLATED
		INSULATION : PEEK COLOR : BEIGE
DESCRIPTION	PART NUMBER	MATERIAL & FINISH

THIS DRAWING IS A CONTROLLED DOCUMENT FOR TYCO ELECTRONICS CORPORATION. IT IS SUBJECT TO CHANGE AND THE CONTROLLING ENGINEERING ORGANIZATION SHOULD BE CONTACTED FOR THE LATEST REVISION.		DWN 25MAR2008 PRAVEEN K	Tyco Electronics France SAS 95300 Pontoise, France			
DIMENSIONS: mm		CHK 25MAR2008 G. ROBERT	NAME TERMINAL, PEEK PIDG STRATO, 14-12 AWG			
TOLERANCES UNLESS OTHERWISE SPECIFIED:		APVD 25MAR2008 Y. PETRONIN				
0 PLC \pm		PRODUCT SPEC 108-15356	SIZE	CAGE CODE	DRAWING NO	RESTRICTED TO
1 PLC ± 0.3		APPLICATION SPEC 114-15102	A3	00779	C=1577966	-
2 PLC \pm		WEIGHT 1,54 gr	SCALE 5:1 SHEET 1 OF 1 REV A			
3 PLC \pm		CUSTOMER DRAWING				
4 PLC \pm						
ANGLES ± 5						
FINISH						
MATERIAL SEE TABLE						

单击下面可查看定价，库存，交付和生命周期等信息

[>>TE Connectivity\(泰科\)](#)