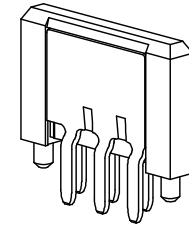


This drawing involves proprietary design rights of Tyco Electronics Corporation, and all design, manufacture, reproduction, use and sale rights regarding the same are expressly reserved. It is submitted for a specific purpose and the recipient by accepting this drawing, assumes custody and control and agrees to take reasonable precautions: (a) that this drawing will not be copied and reproduced, in whole or in part, or its contents revealed in any manner, or to any person except to meet the purpose for which it was delivered and (b) that any special features peculiar to this design will not be incorporated in other projects without the expressed written permission of Tyco Electronics Corporation.

REVISIONS			
EC	REV	DESCRIPTION	DATE
-	A	RELEASED	06APR06



7. SEE DRAWING 6651867 FOR MATING SOCKET CONNECTOR.

6. ITEMS PROVIDED TO THIS SPECIFICATION TO BE BAGGED AND TAG IDENTIFIED PER THE FOLLOWING IDENTIFIER:



5. OUTLINE SPECIFICATION WHEN USED WITH SOCKET CONNECTOR 6651867-1:
- CURRENT OF 25 AMPS PER CONTACT AT 30° TEMPERATURE RISE, 250 VOLTS.
 - CONNECTOR HOUSING GATHERABILITY OF ±0.64(.025) PRIOR TO MATE.
 - MATING FORCES OF 3-4 POUNDS TYPICAL.
 - NON-POLARIZED INSULATOR HOUSING

4. A REFERENCE DIMENSION (.XXX) IS WITHOUT TOLERANCE AND USED FOR INFORMATION PURPOSES ONLY.

3. FINISHES:
- CONTACT PLATING: SELECTIVE GOLD PLATE 0.00076 MM MIN THICK OVER NICKEL 0.00127 MIN THICK.
 - PCB TERMINATION: SELECTIVE TIN PLATE 0.00305 MIN THK. OVER NICKEL 0.00127 MIN THK.

2. MATERIALS:
- INSULATORS: THERMOPLASTIC, GLASS REINFORCED, COLOR-BLACK UL94V-0 FLAMMABILITY RATED
 - CONTACTS: COPPER ALLOY

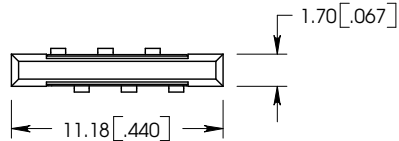
1. PART NUMBER CHANGES AND OR DESIGN CHANGES AFFECTING ITEM INTERCHANGEABILITY REQUIRE PRIOR TYCO APPROVAL AND AUTHORIZATION BY REVISION TO THIS DRAWING.

NOTES: UNLESS OTHERWISE SPECIFIED

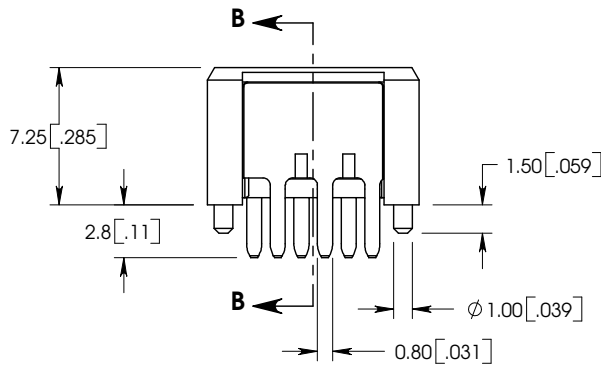
6651866-1
PART NUMBER

<p>THIRD ANGLE PROJECTION</p> <p>UNLESS OTHERWISE SPECIFIED DIMENSIONS ARE IN MILLIMETERS (INCH)</p> <p>TOLERANCES</p> <p>ANGLES ± 2.0°</p> <p>DECIMALS</p> <p>.XX ± 0.25 (.010)</p> <p>.X ± 0.5 (.02)</p>	<p>DRAWN</p> <p>R.GRZYBOWSKI</p>	<p>DATE</p> <p>06APR06</p>	<p>Tyco Electronics Corporation Menlo Park, CA 94025</p>	
	<p>CHECKED</p>		<p>TITLE</p> <p>BLADE CONNECTOR, CROWN EDGE SINGLE POWER SEGMENT</p>	
	<p>APPROVED</p>			
	<p>APPROVED</p> <p>S.FLICKINGER</p>	<p>DATE</p> <p>06APR06</p>	<p>SIZE</p> <p>B</p>	<p>DWG NUMBER</p> <p>C-6651866</p>
<p>FILE NAME</p> <p>SC6651866A.SLDDRW</p>		<p>DWG SCALE: 2 = 1</p>		<p>SH 1 OF 3</p>

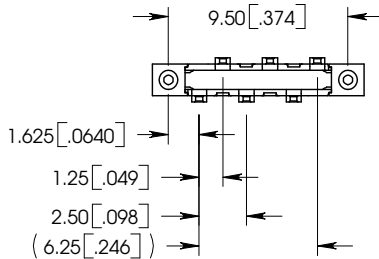
This drawing involves proprietary design rights of Tyco Electronics Corporation, and all design, manufacture, reproduction, use and sale rights regarding the same are expressly reserved. It is submitted for a specific purpose and the recipient by accepting this drawing, assumes liability and control and agrees to take reasonable precautions: (a) that this drawing will not be copied and reproduced, in whole or in part, or its contents revealed in any manner, or to any person except to meet the purpose for which it was delivered and (b) that any special features peculiar to this design will not be incorporated in other projects without the expressed written permission of Tyco Electronics Corporation.



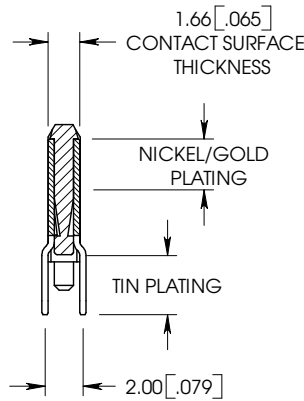
TOP VIEW



FRONT VIEW

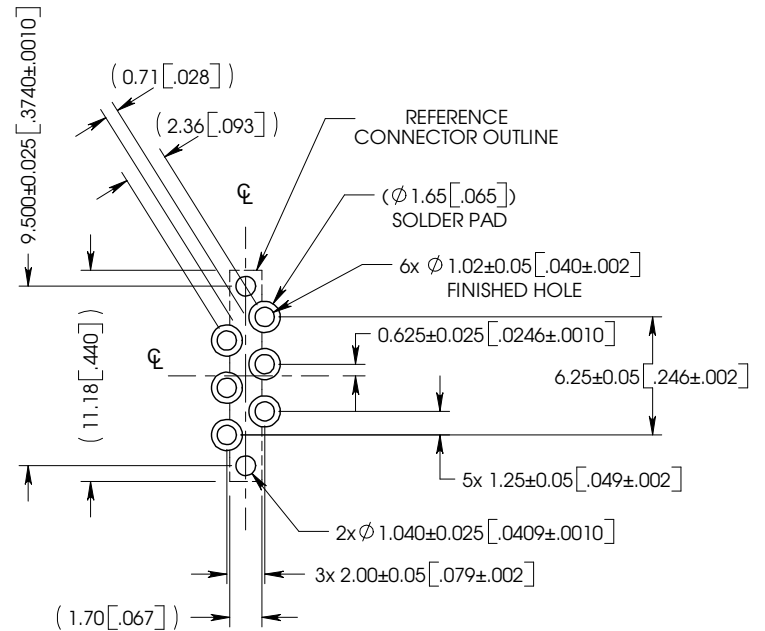


BOTTOM VIEW



SECTION B-B

EC		REV	REVISIONS	DATE
			DESCRIPTION	
			SEE SHEET 1	



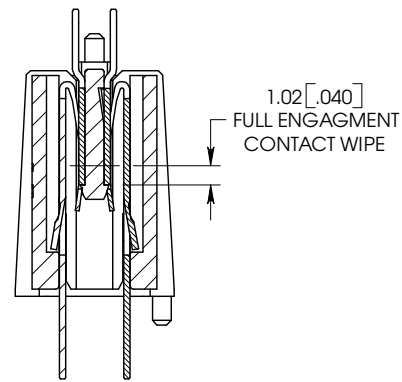
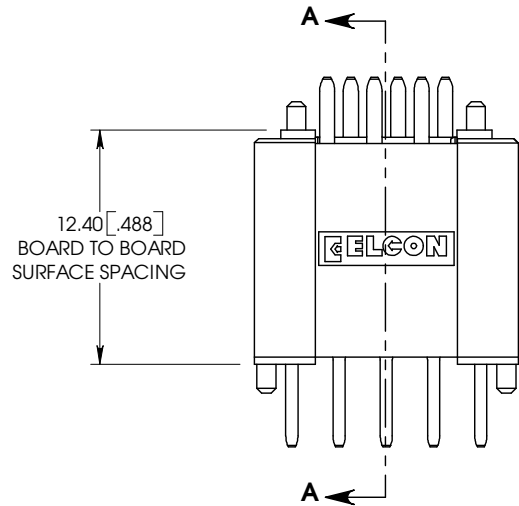
PRINTED CIRCUIT LAYOUT
BLADE CONNECTOR
SOLDER LEAD HOLE & PAD GUIDELINES

COMPONENT SIDE VIEW (TOP VIEW)
CENTERLINES ARE COMMON REFERENCE
BETWEEN BLADE & SOCKET LAYOUTS

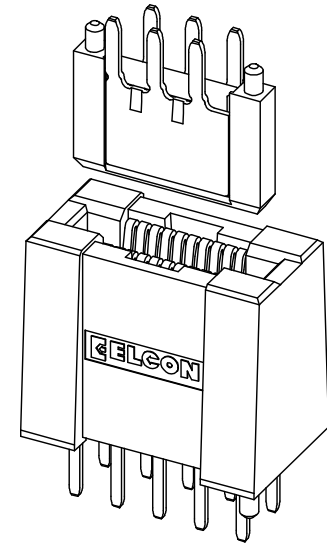
<p>THIRD ANGLE PROJECTION UNLESS OTHERWISE SPECIFIED DIMENSIONS ARE IN MILLIMETERS (INCH)</p> <p>TOLERANCES ANGLES ± 2.0° DECIMALS .XX ± 0.25 (.010) .X ± 0.5 (.02)</p>	<p>DRAWN R.GRZYBOWSKI</p> <p>CHECKED</p> <p>APPROVED</p> <p>APPROVED S.FLICKINGER</p> <p>DCA APPROVED</p> <p>FILE NAME SC6651866A.SLDDRW</p>	<p>DATE 06APR06</p> <p>DATE 06APR06</p>	<p>Tyco Electronics Corporation Menlo Park, CA 94025</p> <p>ELCON</p> <p>TITLE BLADE CONNECTOR, CROWN EDGE SINGLE POWER SEGMENT</p>	<p>SIZE B</p> <p>DWG NUMBER C-6651866</p>	<p>REV. A</p>
	<p>DATE 06APR06</p>		<p>DWG SCALE: 2 = 1</p>		<p>SH 2 OF 3</p>
	<p>DATE 06APR06</p>		<p>DWG SCALE: 2 = 1</p>		<p>SH 2 OF 3</p>
	<p>DATE 06APR06</p>		<p>DWG SCALE: 2 = 1</p>		<p>SH 2 OF 3</p>

This drawing involves proprietary design rights of Tyco Electronics Corporation, and all design, manufacture, reproduction, use and other rights regarding the same are expressly reserved. It is submitted for a specific purpose and the recipient by accepting this drawing, assumes custody and control and agrees to take reasonable precautions: (a) that this drawing will not be copied and reproduced, in whole or in part, or its contents revealed in any manner, or to any person except to meet the purpose for which it was delivered and (b) that any special features peculiar to this design will not be incorporated in other projects without the expressed written permission of Tyco Electronics Corporation.

REVISIONS		DATE
EC	REV	DESCRIPTION
		SEE SHEET 1



SECTION A-A



<p>THIRD ANGLE PROJECTION</p> <p>UNLESS OTHERWISE SPECIFIED DIMENSIONS ARE IN MILLIMETERS (INCH)</p> <p>TOLERANCES</p> <p>ANGLES ± 2.0°</p> <p>DECIMALS</p> <p>.XX ± 0.25 (.010)</p> <p>.X ± 0.5 (.02)</p>	<p>DRAWN R.GRZYBOWSKI</p>	<p>DATE 06APR06</p>	Tyco Electronics Corporation Menlo Park, CA 94025 	
	CHECKED			TITLE
	APPROVED			MINI-CROWN EDGE BLADE & CROWN EDGE SOCKET CONNECTOR SINGLE POWER SEGMENT MATING CONDITION
	APPROVED S.FLICKINGER	06APR06		SIZE DWG NUMBER
DCA APPROVED			B C-6651866	REV. A
FILE NAME	SC6651866A.SLDDRW		DWG SCALE: 2 = 1	SH 3 OF 3

单击下面可查看定价，库存，交付和生命周期等信息

[>>TE Connectivity\(泰科\)](#)