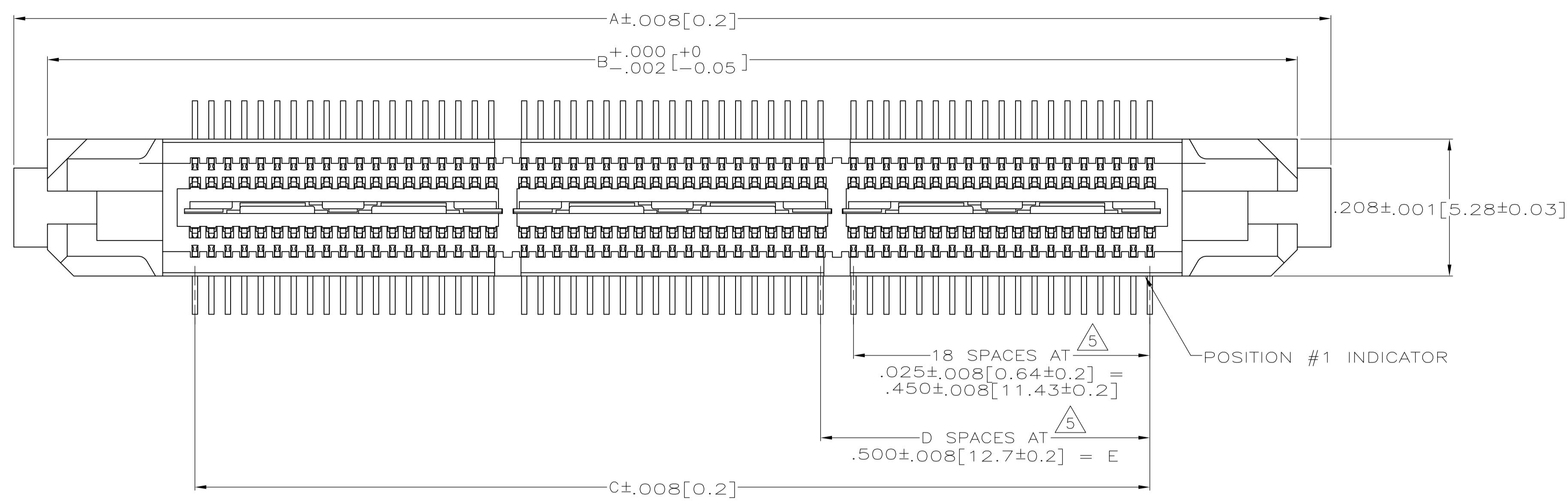
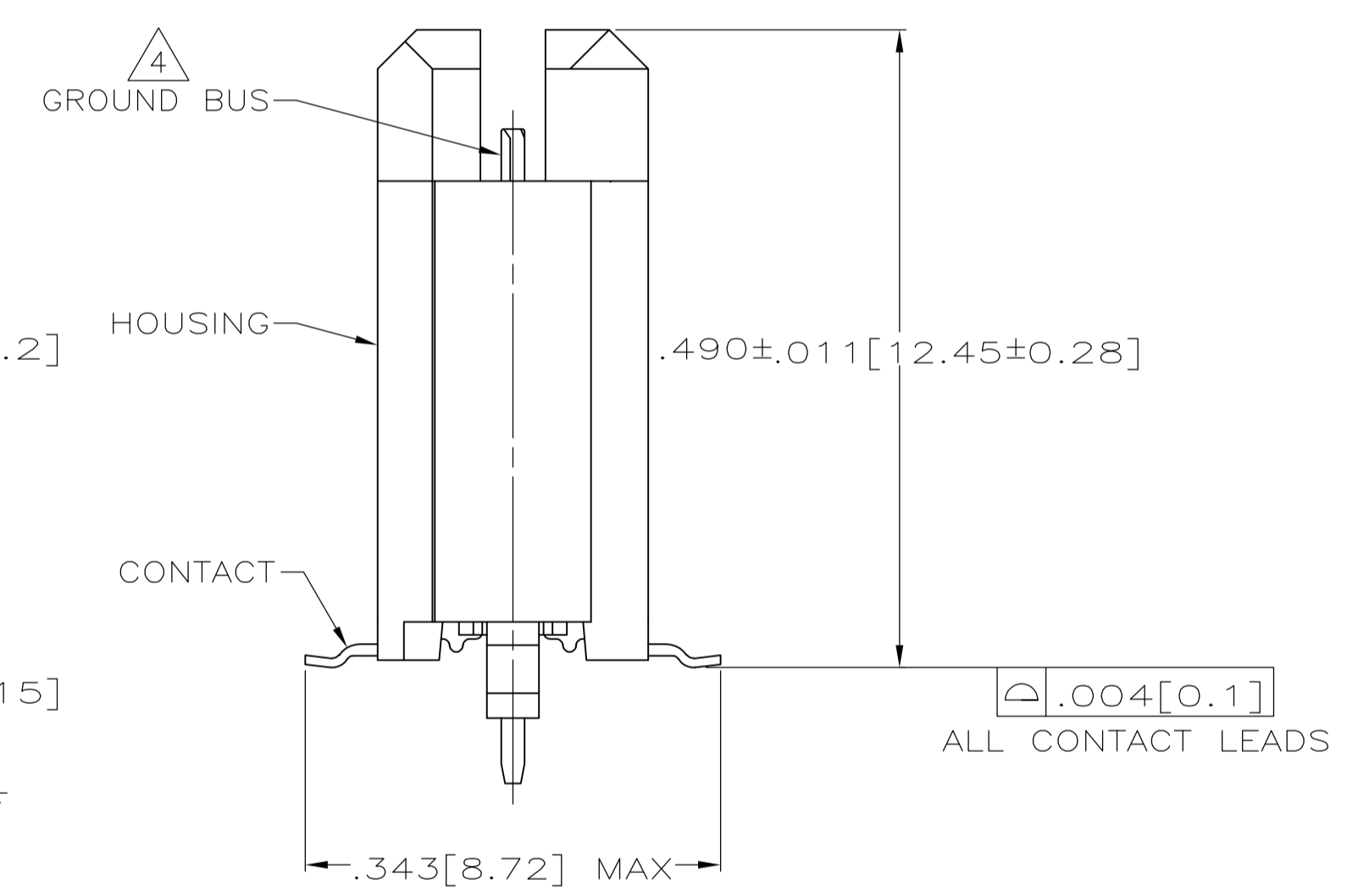
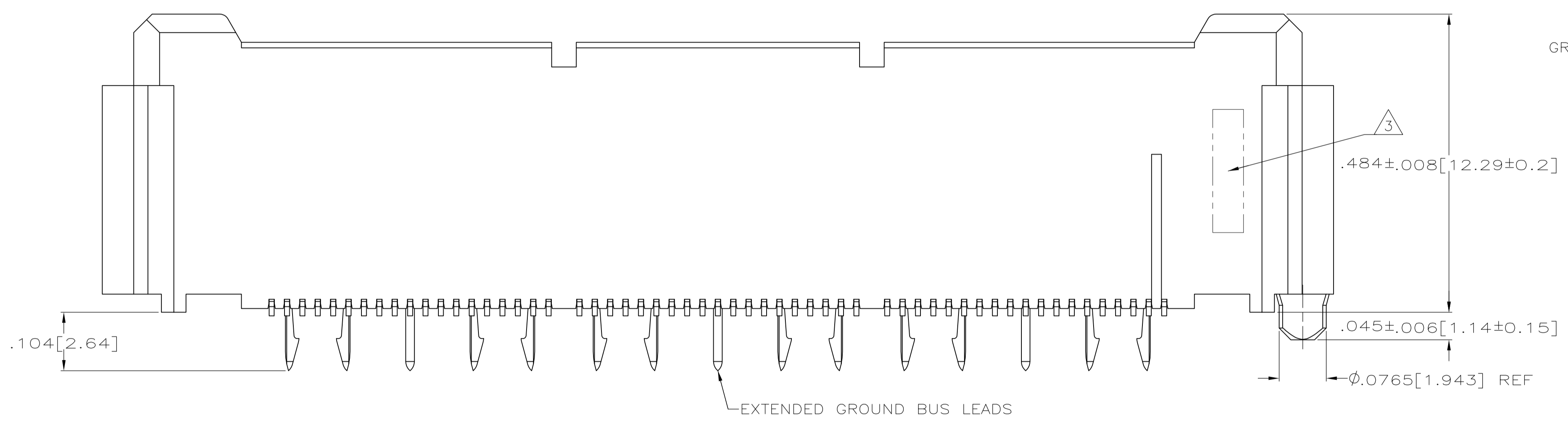


| LOC | | DIST | | REVISIONS | | | | |
|-----|----|---------------------------|---------|-------------|------|----|------|--|
| AD | 47 | REV | DATE | DESCRIPTION | DATE | BY | APPV | |
| E2 | | REVISED PER ECO-12-007590 | 19JUL12 | | | KH | MH | |



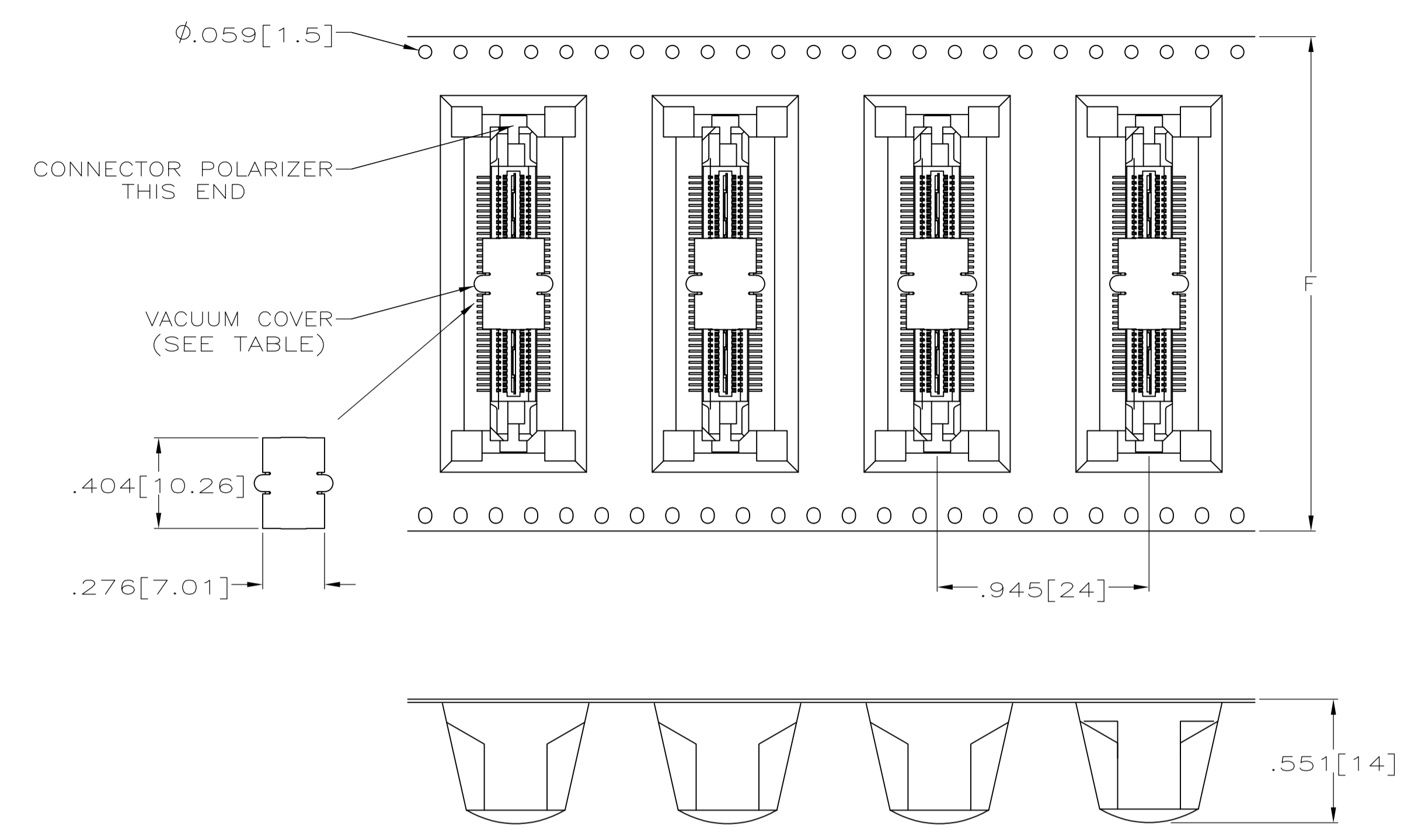
- $\triangle 1$ HOUSING: LIQUID CRYSTAL POLYMER, COLOR BLACK.
CONTACTS: HIGH RELIABILITY COPPER ALLOY.
GROUND BUSSES: BRASS, UNS C26000
- $\triangle 2$ CONTACTS & GROUND BUSES: NICKEL UNDERPLATE ALL OVER, MATING SURFACE PLATED TO MEET LEVEL 2 PERFORMANCE REQUIREMENTS OF TE PRODUCT SPECIFICATION 108-1422, SOLDER TAILS PLATED TIN-LEAD.
- $\triangle 3$ DATE CODE MARKED IN AREA INDICATED ON SIDE OPPOSITE POSITION #1.
- $\triangle 4$ ONE GROUND BUS WITH 5 TAILS PER EACH MODULE.
- $\triangle 5$ TOLERANCE NON-ACCUMULATIVE.
- $\triangle 6$ FOR STANDARD APPLICATIONS, ORIENTATION HOLE TO BE $\phi .094 \pm .002 [2.39 \pm 0.05]$.
FOR SLIP-FIT APPLICATIONS, ORIENTATION HOLE TO BE $\phi .079 \pm .001 [2.00 \pm 0.03]$.
- $\triangle 7$ CONNECTORS PACKAGED ON 13 INCH DIA REELS PER EIA 481.



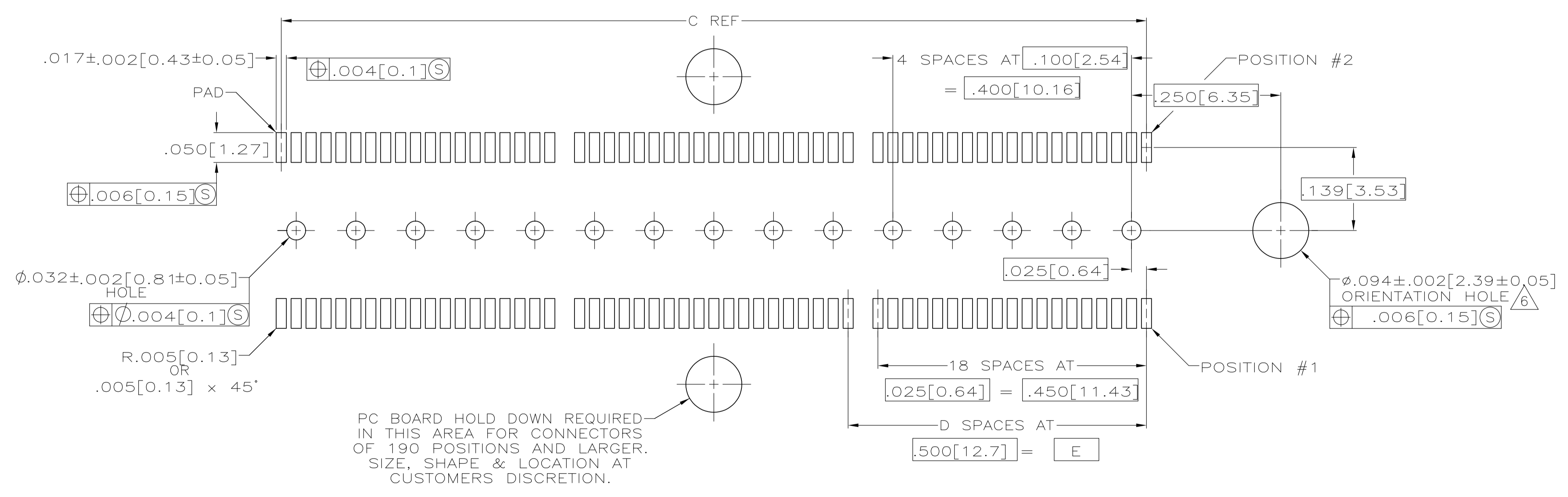
SEE SHEET 2 FOR RECOMMENDED PC BOARD LAYOUT AND PACKAGING DETAIL

| | | | | | | | | | |
|---------------|-----------------------|-------------|--------------|---|---------------|---------------|---------------|-----------|-------------|
| $\triangle 8$ | NO | 4.724 [120] | 3.000 [76.2] | 6 | 3.450 [87.63] | 3.898 [99.01] | 4.000 [101.6] | 266 | 1-767151-4 |
| | VACUUM COVER INCLUDED | F | E | D | C | B | A | NO OF POS | PART NUMBER |

| | | | | | |
|---|--|---|--|---|--|
| THIS DRAWING IS A CONTROLLED DOCUMENT. | | BIN J GERACE 07JUN00 | | STE TE Connectivity | |
| DIMENSIONS: INCHES | | TOLERANCES UNLESS OTHERWISE SPECIFIED: | | NAME D DIXON | |
| ϕ 0 PLC \pm - 1 PLC \pm - 2 PLC \pm - 3 PLC \pm .005(0.13) 4 PLC \pm - ANGLES \pm - | | PRODUCT SPEC 108-1422 APPLICATION SPEC 114-11004 | | PLUG ASSEMBLY, .495 [12.57] VERTICAL, .025 [0.64] CL, GULL WING LEADS, POCKET TAPE PACKAGED, MICTOR | |
| MATERIAL $\triangle 1$ | | FINISH $\triangle 2$ | | SIZE A1 WEIGHT - CUSTOMER DRAWING | |
| | | SCALE 8:1 | | SHEET 1 OF 2 | |



PACKAGING DETAIL \triangle
SCALE 2:1
DIMENSIONS ARE FOR REFERENCE



RECOMMENDED PC BOARD LAYOUT
(VIEWED FROM CONNECTOR SIDE)

| | | | | | |
|---|--|--|--|---|--|
| THIS DRAWING IS A CONTROLLED DOCUMENT. | | DIN J.GERACE 07JUN00 | | TE Connectivity | |
| DIMENSIONS: INCHES | | TOLERANCES UNLESS OTHERWISE SPECIFIED: | | | |
| ϕ 0 PLC ± - 1 PLC ± - 2 PLC ± - 3 PLC ± .005(0.13) 4 PLC ± - ANGLES ± - | | APVD D.DIXON 07JUN00 NAME PRODUCT SPEC APPLICATION SPEC | | SIZE A1 CASE CODE 00779 DRAWING NO. C=767151 RESTRICTED TO | |
| MATERIAL | | FINISH | | WEIGHT CUSTOMER DRAWING | |
| | | | | SCALE 8:1 SHEET 2 OF 2 REV E2 | |

单击下面可查看定价，库存，交付和生命周期等信息

[>>TE Connectivity\(泰科\)](#)