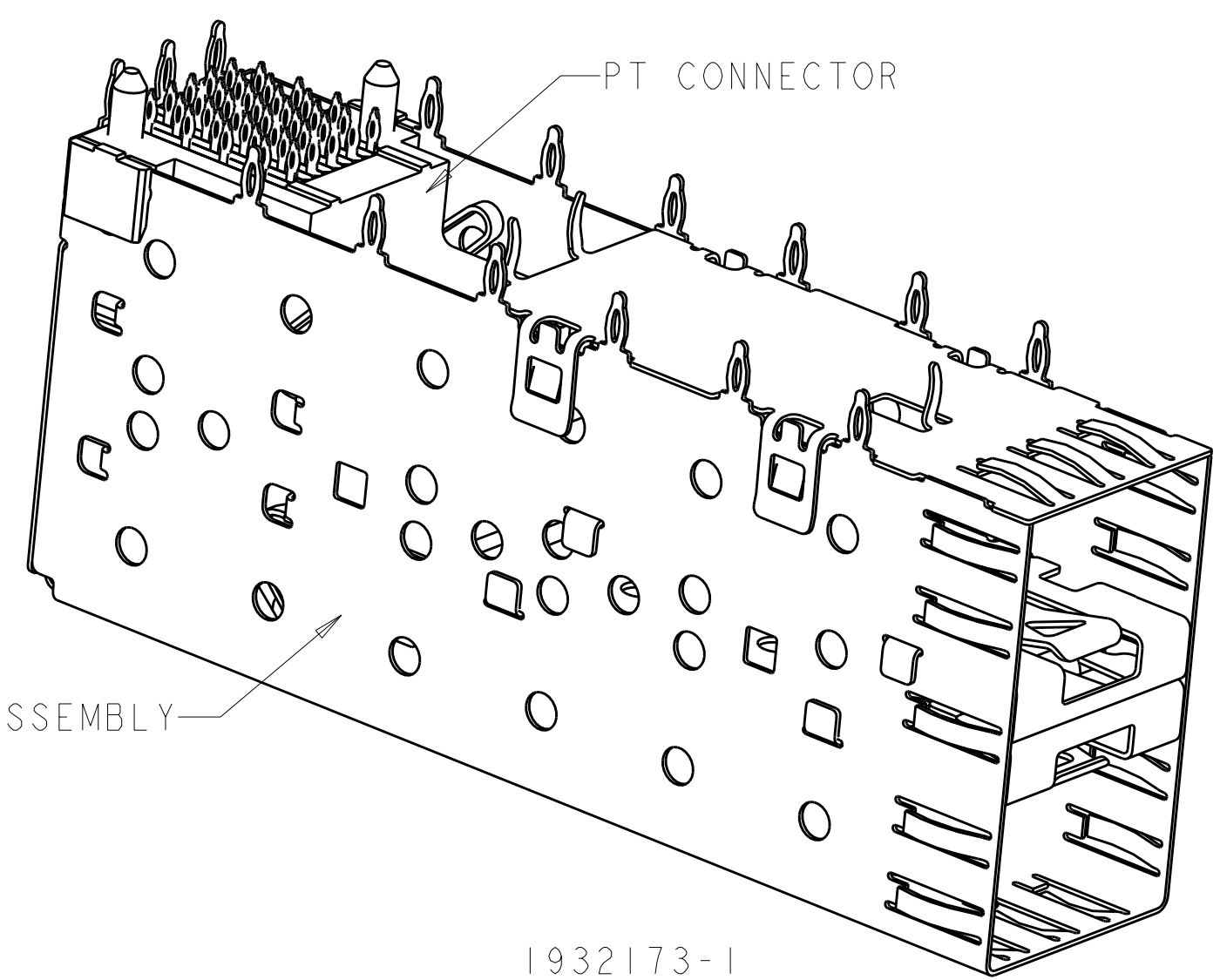
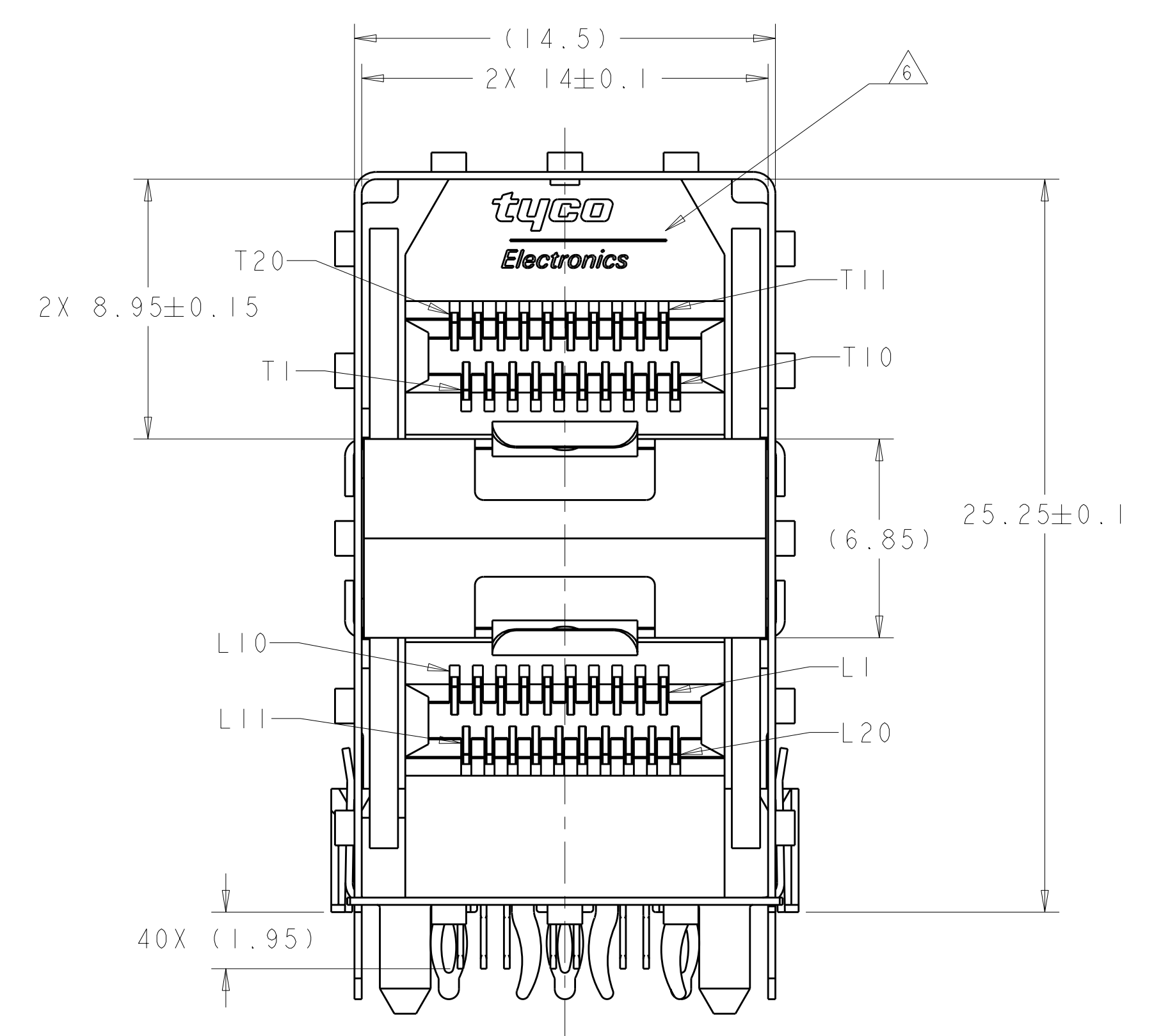
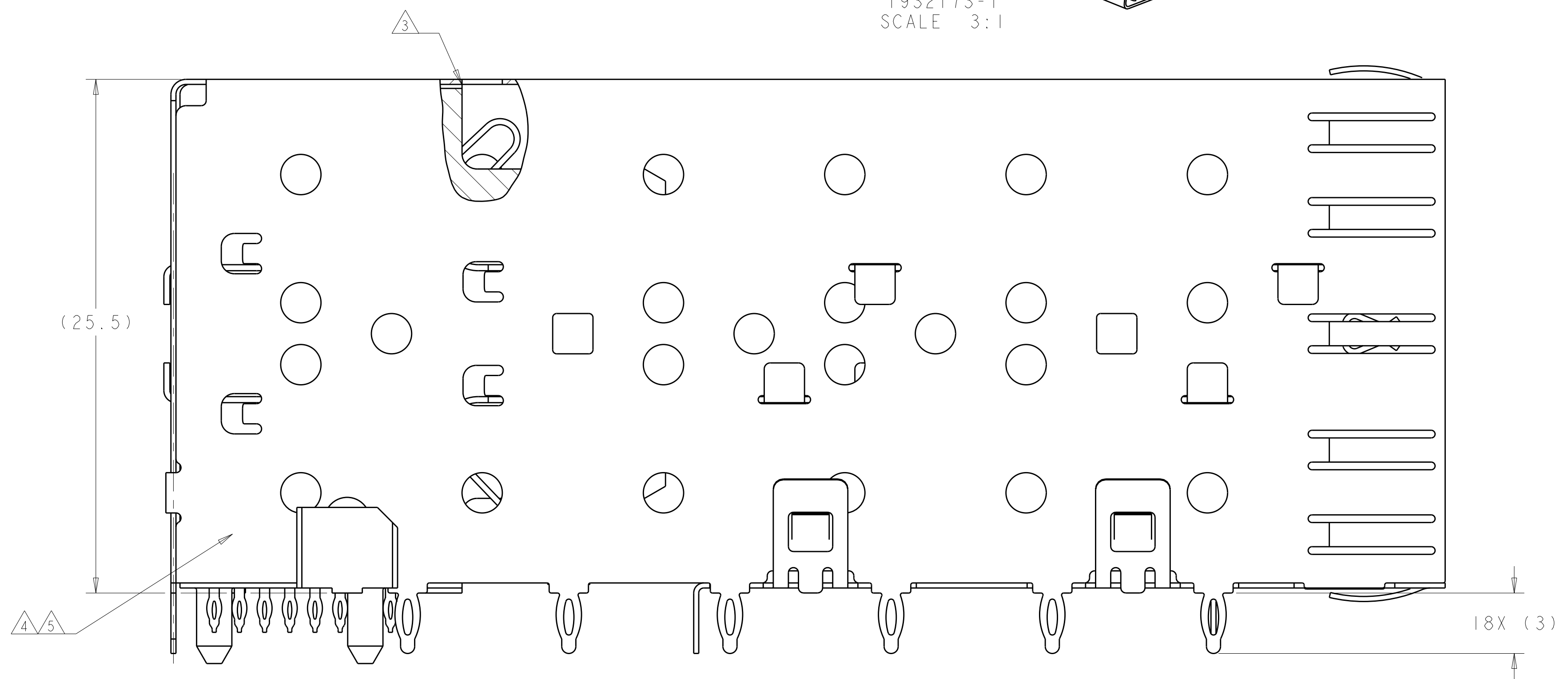


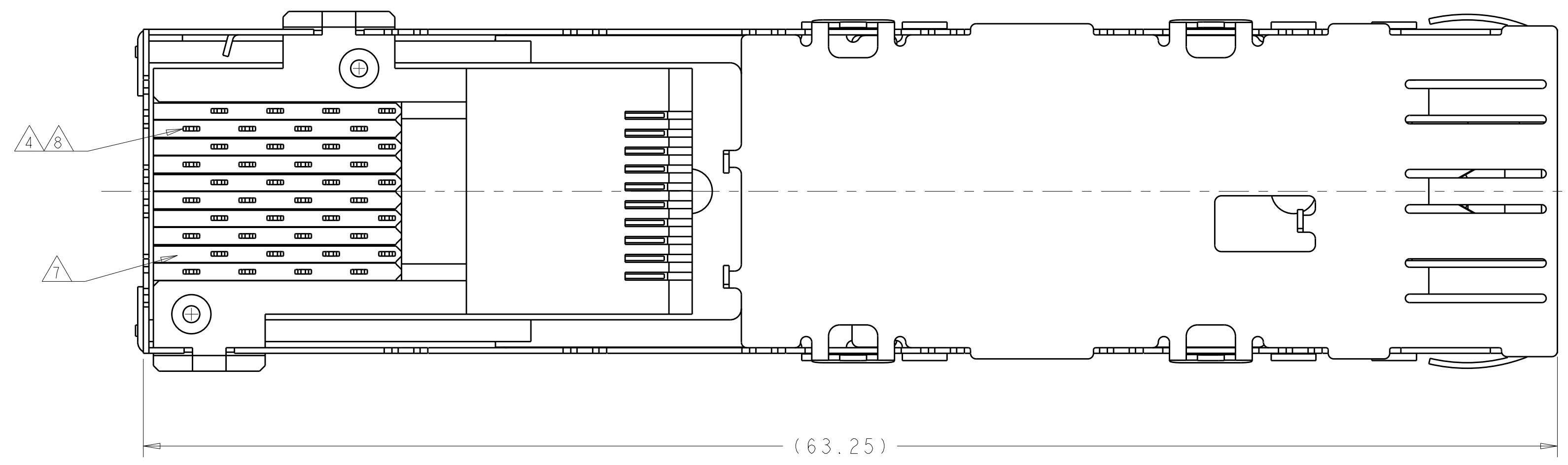
LOC	DIST	REVISIONS					
ES	00	P	LTN	DESCRIPTION	DATE	DWN	APVD
		A		ECR-08-025165	07OCT2008	A.L	S.Y
		A1		ECR-08-025337	12OCT2008	A.L	S.Y



1932173-1
SCALE 3:1



- △ DATUM AND BASIC DIMENSION TO BE DETERMINED BY CUSTOMER.
- △ INTERPRETATION OF DATUM REFERENCE FRAME IN ACCORDANCE WITH SECT 4.4.1.1 OF ASME Y14.5M-1994.
- △ TOP OF PT CONNECTOR TO BE 0-0.15 FROM INSIDE SURFACE OF CAGE.
- △ COPPER ALLOY.
- △ 1.25µm MIN TIN PER ASTM B 545 OVER NICKEL FLASH PER QQ-N-290. NON-PLATED EDGES PERMISSIBLE.
- △ LCP, HIGH TEMPERATURE, UL 94V-0 RATED, BLACK.
- △ POLYESTER, UL 94V-0 RATED, BLACK.
- △ CONTACT MATING AREA: SURFACE TREATMENT OVER 0.76µm MIN GOLD PER ASTM B 488 OVER 1.27µm MIN NICKEL PER QQ-N-290. NEEDLE EYE: 1.25µm MIN TIN PER ASTM B 545 OVER 1.27µm MIN NICKEL PER QQ-N-290. REMAINDER OF CONTACT: 0.76µm MIN NICKEL PER QQ-N-290.

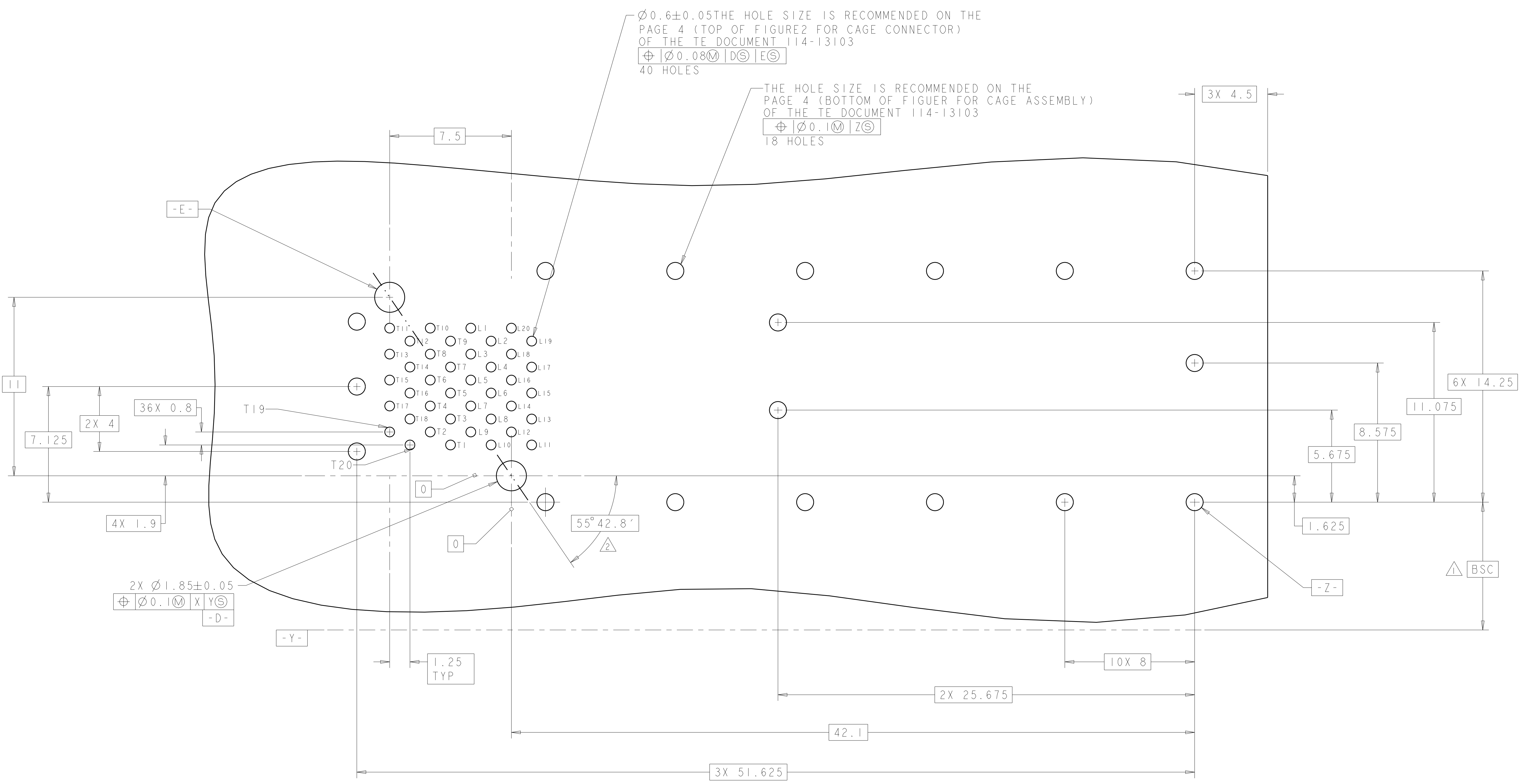


1932173-1
PART NUMBER

<small>THIS DRAWING IS UNPUBLISHED. RELEASED FOR PUBLICATION BY TYCO ELECTRONICS CORPORATION. ALL RIGHTS RESERVED.</small>		DWN ADAMS LV 23SEP2008 CHK MARTIN LI 23SEP2008 APVD STEVEN YAO 23SEP2008	Tyco Electronics Corporation Shanghai, P.R.C. 200233
DIMENSIONS: mm	TOLERANCES UNLESS OTHERWISE SPECIFIED: 9 PLC ± 1 PLC ±0.1 5 PLC ± 4 PLC ± ANGLES ±	PRODUCT SPEC 108-2161 APPLICATION SPEC 114-13103 WEIGHT CUSTOMER DRAWING	NAME CAGE AND PT CONNECTOR ASSEMBLY, 2x1, PRESS FIT, STANDARD PROFILE, SFP SIZE CAGE CODE DRAWING NO 00779 C=1932173 RESTRICTED TO
MATERIAL FINISH		SCALE 2:1 SHEET 1 OF 3 REV A1	

LOC	DIST	REV	DATE	BY	APPD
ES	00				

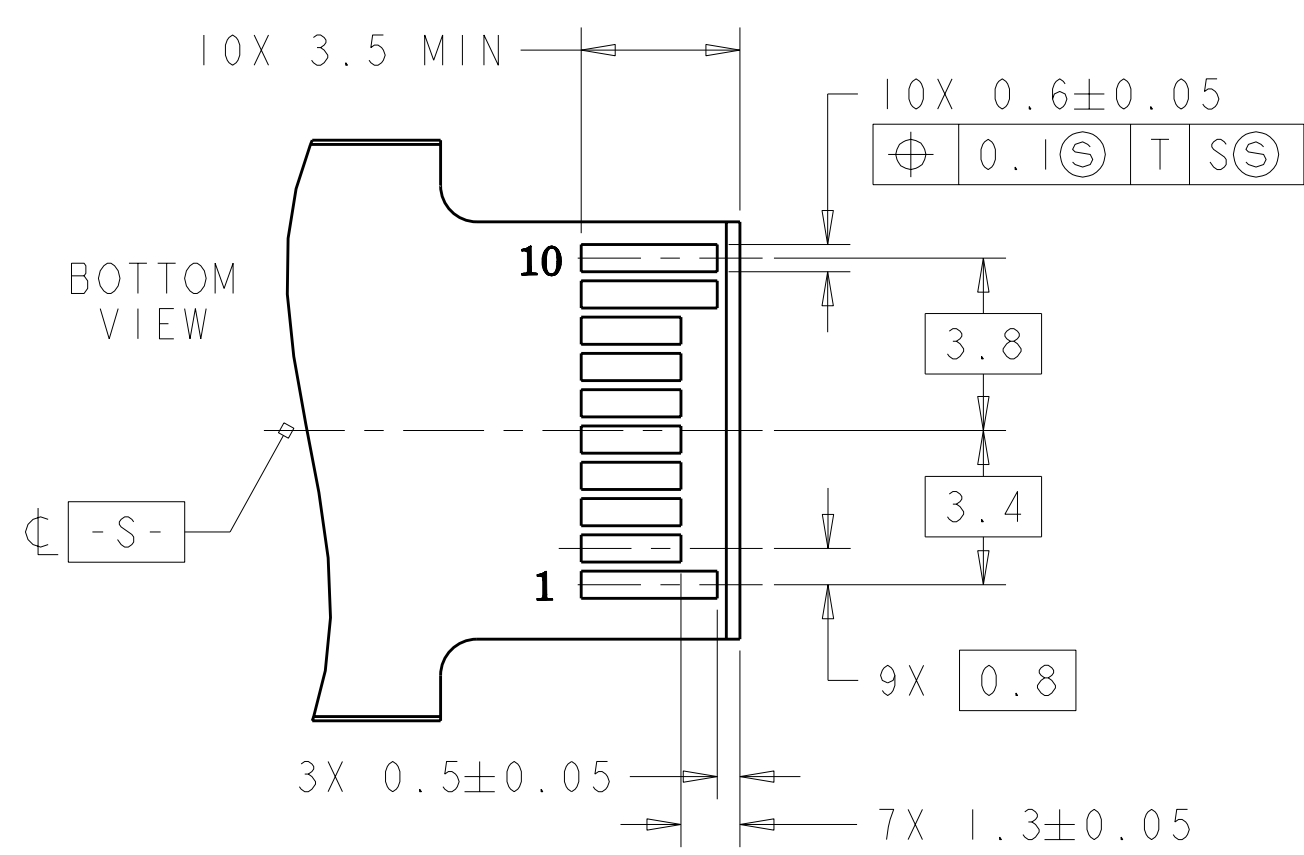
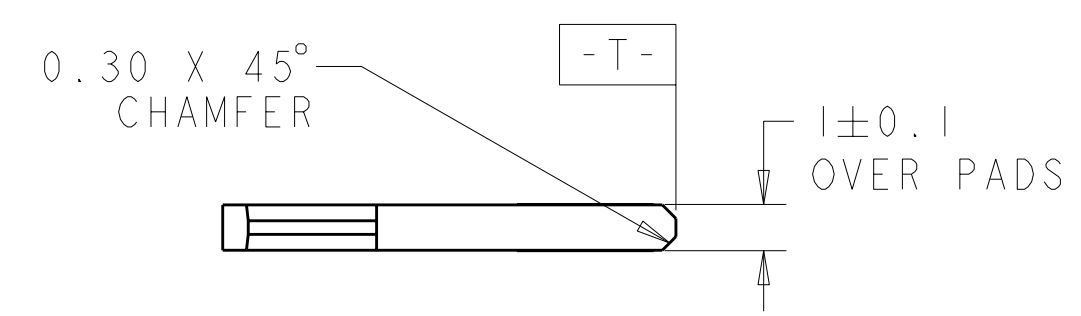
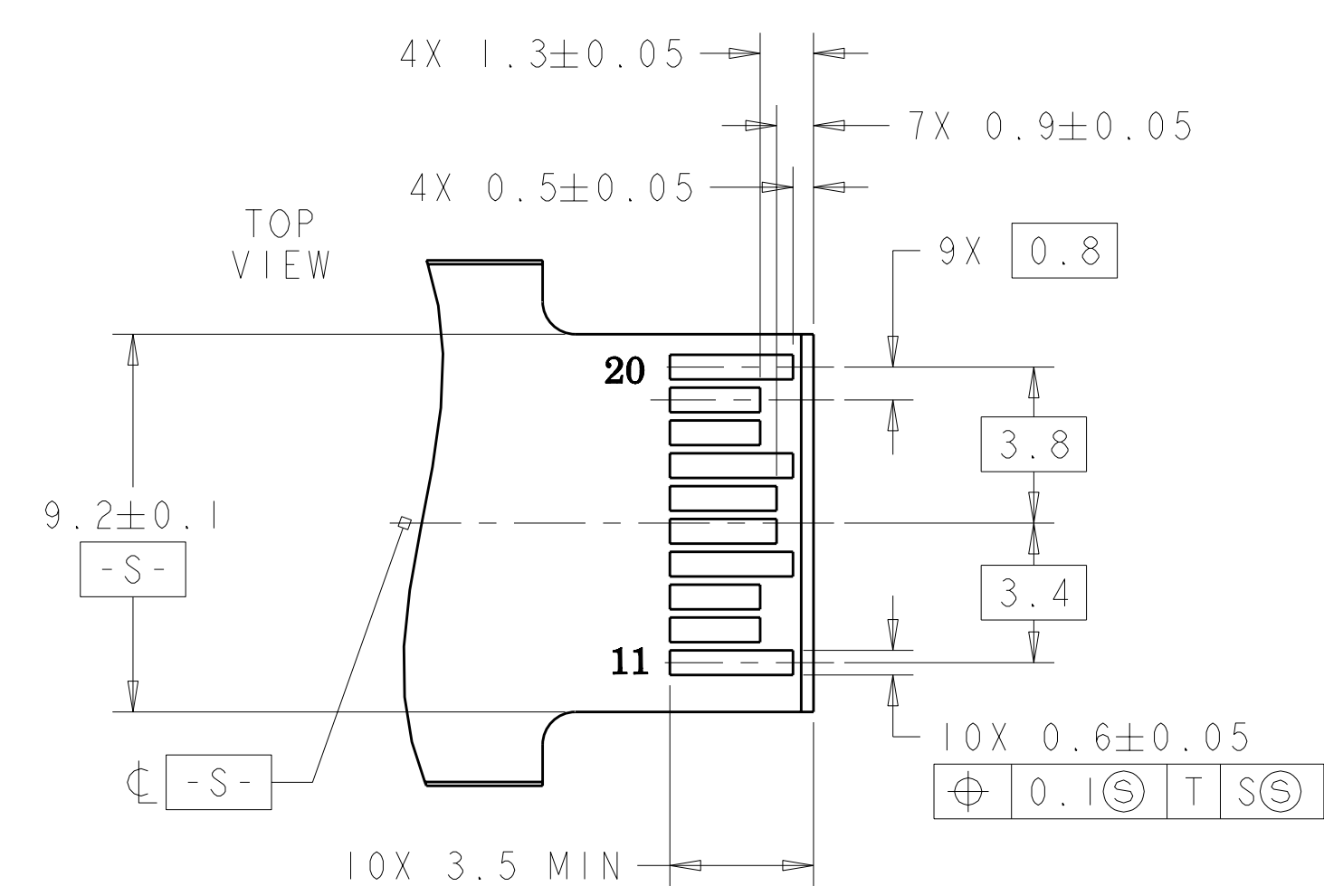
REVISIONS		DATE	BY	APPD
-	SEE SHEET 1	-	-	-



SFP HOST BOARD
 MECHANICAL LAYOUT
 SCALE 8:1

<small>THIS DRAWING IS UNPUBLISHED. RELEASED FOR PUBLICATION BY TYCO ELECTRONICS CORPORATION. ALL RIGHTS RESERVED.</small>		DWN: ADAMS LV 23SEP2008 CHK: MARTIN LI 23SEP2008 APVD: STEVEN YAO 23SEP2008	Tyco Electronics Corporation Shanghai, P.R.C. 200233
DIMENSIONS: mm 	TOLERANCES UNLESS OTHERWISE SPECIFIED: 9 PLC ± 1 PLC ±0.1 5 PLC ± 4 PLC ± ANGLES ±	NAME: CAGE AND PT CONNECTOR ASSEMBLY, 2x1, PRESS FIT, STANDARD PROFILE, SFP PRODUCT SPEC: 108-2161 APPLICATION SPEC: 114-13103	SIZE: A1 CAGE CODE: 00779 DRAWING NO: C=1932173
MATERIAL: -	FINISH: -	WEIGHT: -	RESTRICTED TO: -
CUSTOMER DRAWING		SCALE: 2:1	SHEET 2 OF 3 REV A1

LOC	DIST	REVISIONS			
ES	00	REV	DATE	BY	APPD
-	-	SEE SHEET 1	-	-	-



RECOMMENDED LAYOUT FOR
 MATING TRANSCEIVER PCB
 SCALE 6:1

<small>THIS DRAWING IS UNPUBLISHED. RELEASED FOR PUBLICATION. ALL RIGHTS RESERVED. THIS DRAWING IS UNPUBLISHED. RELEASED FOR PUBLICATION. ALL RIGHTS RESERVED. THIS DRAWING IS UNPUBLISHED. RELEASED FOR PUBLICATION. ALL RIGHTS RESERVED.</small>		DWN ADAMS LV 23SEP2008 CHK MARTIN LI 23SEP2008 APVD STEVEN YAO 23SEP2008	Tyco Electronics Corporation Shanghai, P.R.C. 200233
DIMENSIONS: mm 		TOLERANCES UNLESS OTHERWISE SPECIFIED: 9 PLC ± 1 PLC ±0.1 2 PLC ± 3 PLC ± 4 PLC ± ANGLES ±	NAME: CAGE AND PT CONNECTOR ASSEMBLY, 2x1, PRESS FIT, STANDARD PROFILE, SFP PRODUCT SPEC: 108-2161 APPLICATION SPEC: 114-13103 WEIGHT: - FINISH: -
MATERIAL: - FINISH: -		SIZE: A CAGE CODE: 00779 DRAWING NO: C=1932173 CUSTOMER DRAWING	RESTRICTED TO: - SCALE: 1:1 SHEET: 3 OF 3 REV: A1

单击下面可查看定价，库存，交付和生命周期等信息

[>>TE Connectivity\(泰科\)](#)