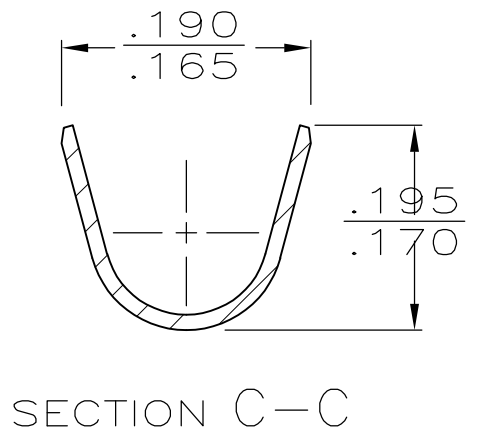
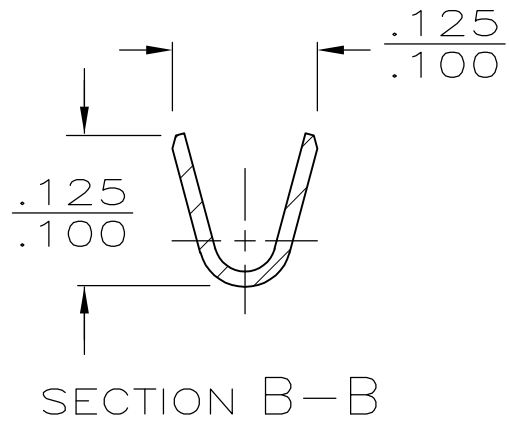
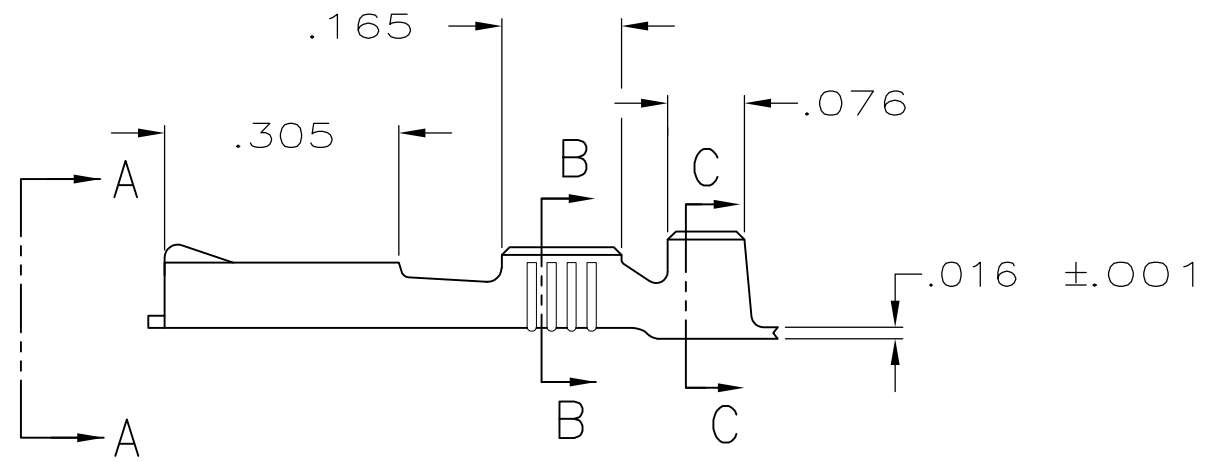
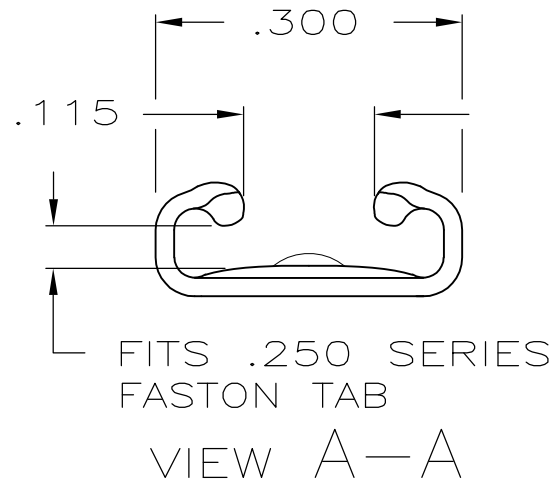
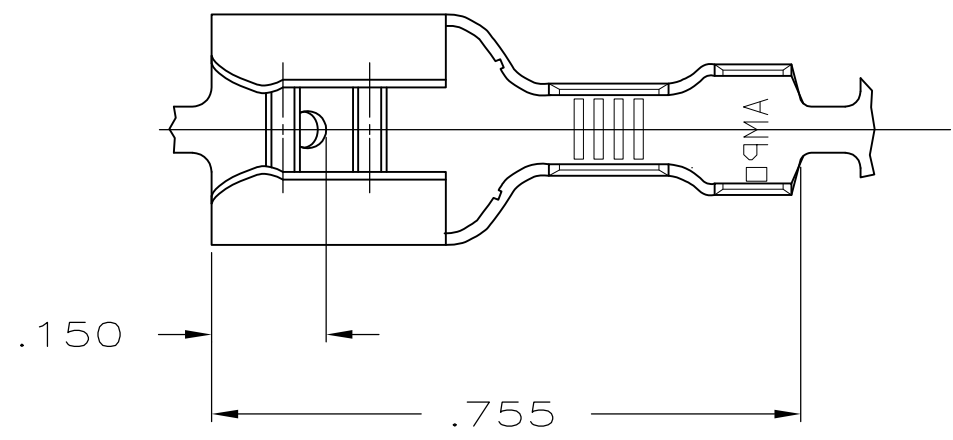



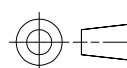
THIS DRAWING IS UNPUBLISHED. RELEASED FOR PUBLICATION  
 © COPYRIGHT - By - ALL RIGHTS RESERVED.

LOC	DIST	REVISIONS			
P	LTR	DESCRIPTION	DATE	DWN	APVD
AF	50	D	REVISED PER ECR-12-013459	29NOV2012	KH PD

- CONTINUOUS STRIP ON REELS.
- WIRE SIZE IS #22-#18 AWG.
- INSULATION RANGE IS .090-.130 DIA.
- MATING TAB THK IS .032±.001.



61404-1  
PART NO.

THIS DRAWING IS A CONTROLLED DOCUMENT.		DWN	JR RUTH	1/29/98	 TE Connectivity	NAME		RECEPTACLE, FASTON, .250 SERIES		
DIMENSIONS: INCHES		CHK	MS FEHER	1/29/98		PRODUCT SPEC		SIZE	CAGE CODE	DRAWING NO
		APVD	J HUMMEL	1/29/98		APPLICATION SPEC		A3	00779	C-61404
MATERIAL BRASS		TOLERANCES UNLESS OTHERWISE SPECIFIED:		FINISH		WEIGHT		RESTRICTED TO		
		0 PLC ± -		-		CUSTOMER DRAWING		SCALE	4:1	
		1 PLC ± -		-				SHEET	1 OF 1	
		2 PLC ± -		-				REV	D	
		3 PLC ± .015		-						
		4 PLC ± -		-						
		ANGLES ± -		-						

单击下面可查看定价，库存，交付和生命周期等信息

[>>TE Connectivity\(泰科\)](#)