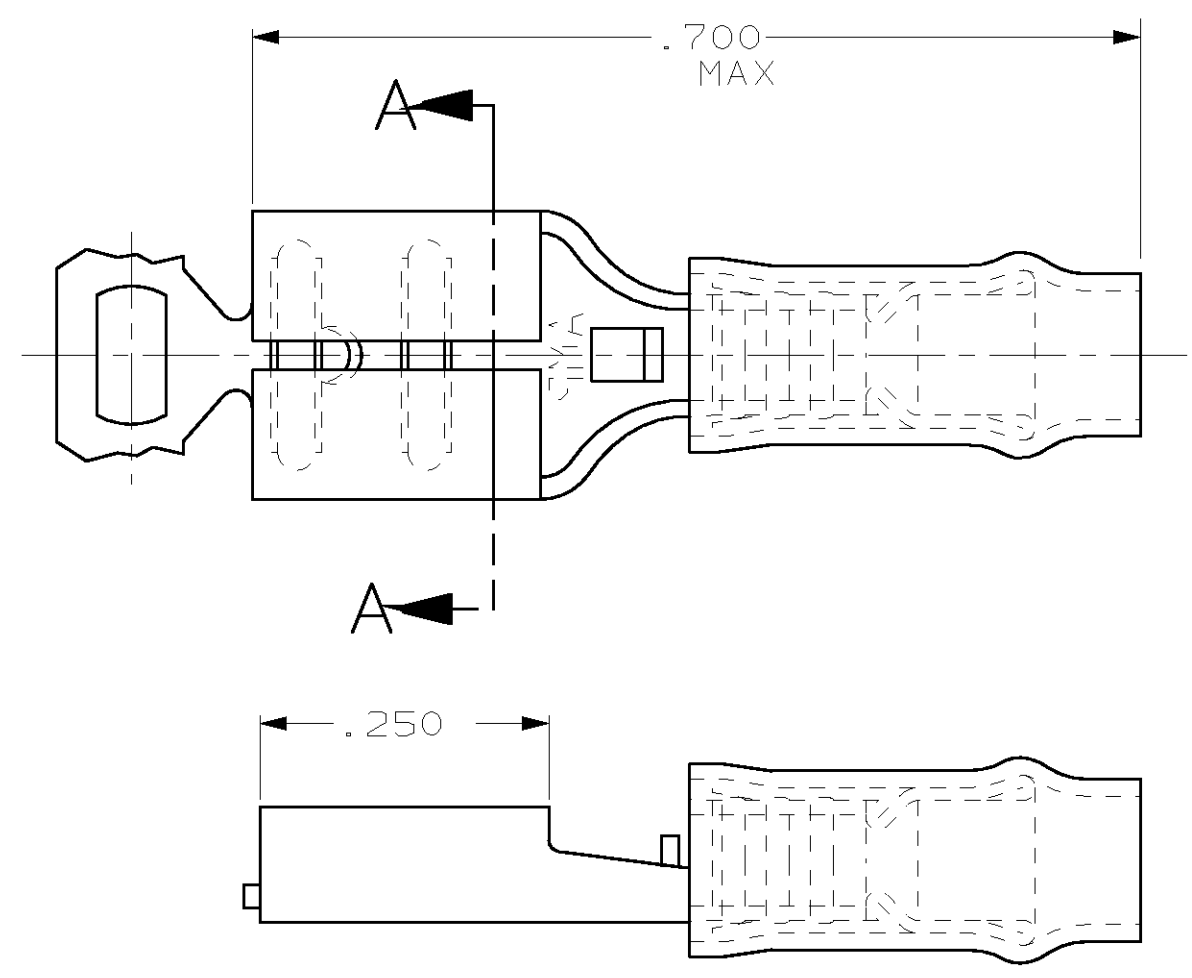
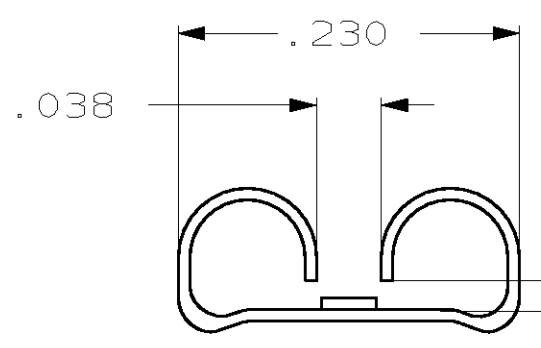


THIS DRAWING IS UNPUBLISHED. RELEASED FOR PUBLICATION ,19 .
 © COPYRIGHT 19 BY AMP INCORPORATED. ALL RIGHTS RESERVED.

LOC		DIST		REVISIONS			
P	LTR	DESCRIPTION		DATE	DWN	APVD	
G	14	G	REV PER 0G3A-0176-02	08APR02	JR	TM	



- 1. INSULATION DIA .082 MAX
- 2. FITS TAB .020±.001



FITS "187" SERIES FASTON TAB (REFER TO CP-15978 FOR TAB DETAILS)

SECT A-A

-	-	641320-1
QTY	PACKAGE TYPE	PART NO

AMP INCORPORATED CUSTOMER SERVICE SYSTEM	
FOR ADDITIONAL PRODUCT INFORMATION OR COPIES OF DRAWINGS AND TECHNICAL DOCUMENTS	PRODUCT INFORMATION CENTER 1-800-522-6752
FOR APPLICATION TOOLING INFORMATION	TOOLING ASSISTANCE CENTER 1-800-722-1111
FOR ORDER ENTRY	1-800-526-5142

MAX RECOMMENDED OPERATING TEMPERATURE: -
VOLTAGE RATING: -
CIRCULAR MIL AREA: -

THIS DRAWING IS A CONTROLLED DOCUMENT FOR AMP INCORPORATED. IT IS SUBJECT TO CHANGE AND THE CONTROLLING ENGINEERING ORGANIZATION SHOULD BE CONTACTED FOR THE LATEST REVISION.	
DIMENSIONS: INCHES	TOLERANCES UNLESS OTHERWISE SPECIFIED:
	0 PLC ±-
	1 PLC ±-
	2 PLC ±.015
	3 PLC ±-
	4 PLC ±-
	ANGLES ±-
MATERIAL BODY, BRASS .016 SLV, NYLON, COLOR, YELLOW	FINISH BODY, TIN -

DWN L OLMEDA	26 JUN 95
CHK M ELLIS	26 JUN 95
APVD B BARE	26 JUN 95
PRODUCT SPEC	-
APPLICATION SPEC	-
WEIGHT	-
CUSTOMER DRAWING	

AMP Incorporated Harrisburg, PA 17105-3608		
NAME RECEPTACLE, 187 SERIES, FASTON™, PIDG™, WIRE SIZE, 26-24 AWG		
SIZE A3	CAGE CODE 00779	DRAWING NO C-641320
SCALE NT5	SHEET 1 OF 1	REV G

单击下面可查看定价，库存，交付和生命周期等信息

[>>TE Connectivity\(泰科\)](#)