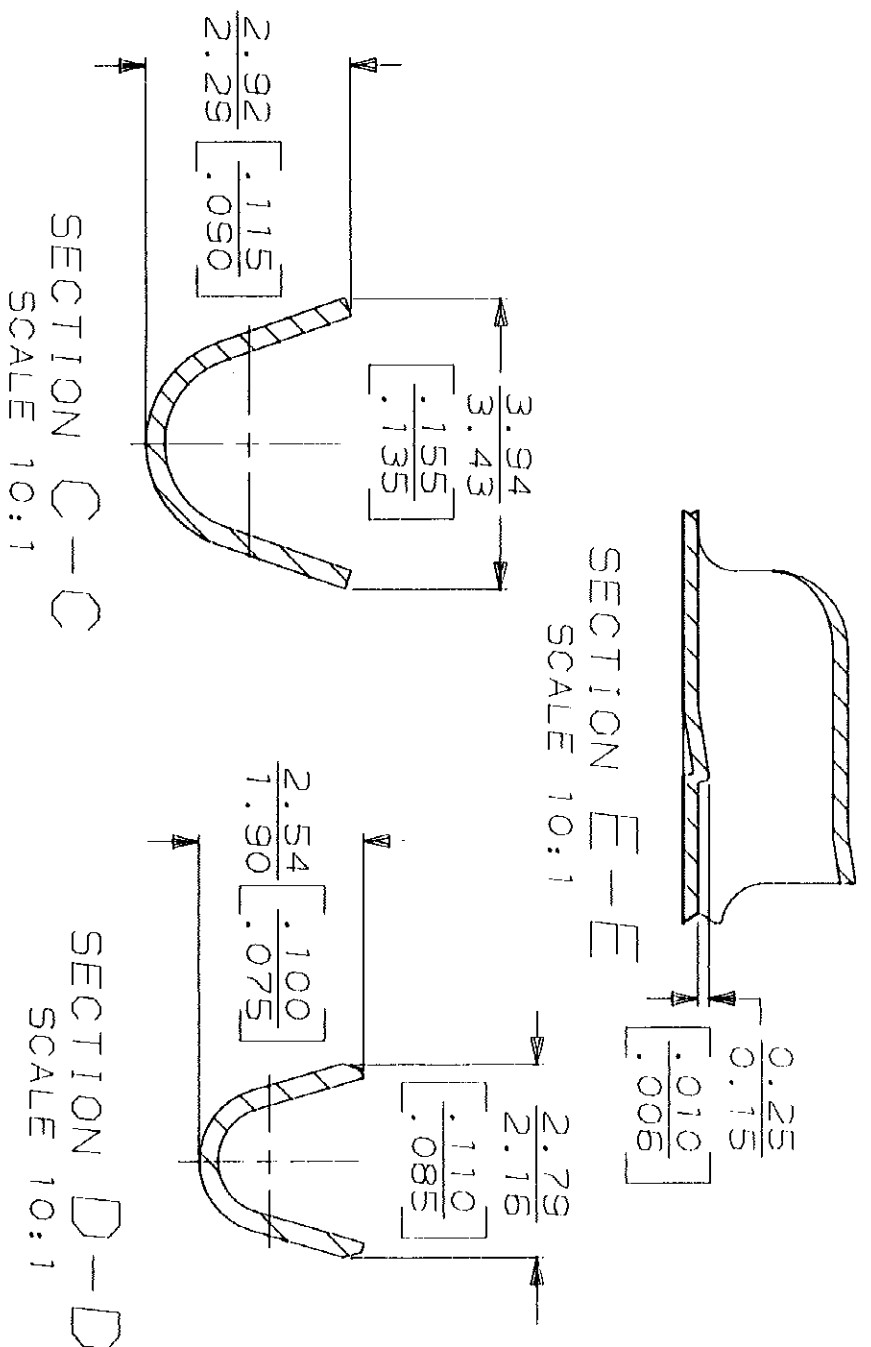
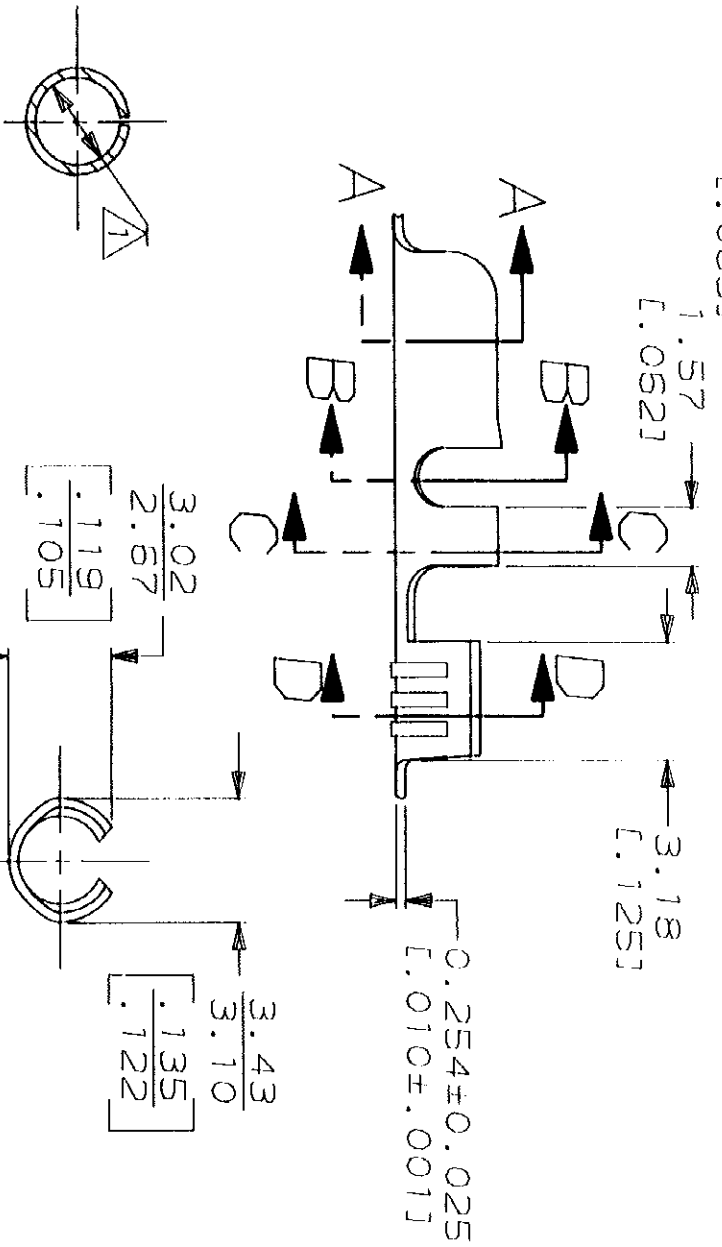
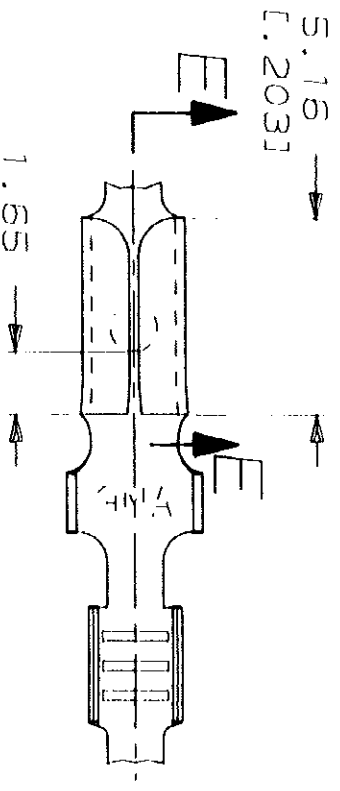


| LOC | DIST | P | ZONE | TR | REVISIONS | DESCRIPTION | DATE | APPD |
|-----|------|---|------|----|-----------|-------------------|----------|-------|
| AF | 50 | | | | | REDWN PER AF-6983 | | |
| | | | | | | | 11/29/91 | PF/GY |



- 1 2.89 [±.090] DIA PIN MUST NOT ENTER, 2.21 [±.087] DIA PIN MUST ENTER.
- 2 CONTINUOUS STRIP ON REELS.
- 3 RECEPTACLE DIA MAY BE 0.13 [±.005] MAX OUT OF ROUND, SEE SECTION AA.

METRIOR

| | | | | |
|---------------|-------------------|----------------|--------------|-------------------------|
| 4.70 [±.185] | F | 1.78 [±.070] | 1.14 [±.045] | 0.8mm ² [18] |
| ±0.38 [±.015] | WIRE BARREL CRIMP | ±0.051 [±.002] | 0.99 [±.039] | 0.5mm ² [20] |
| | | | 0.91 [±.036] | 0.3mm ² [22] |

| | |
|---|--------------------------|
| DO NOT SCALE PRINT. UNLESS SPECIFIED DIMENSIONS IN mm [INCHES] TOLERANCES ON: 2 PLC DEC ± 0.25 [0.10] 3 PLC DEC ± . . . | DR 1/30/91 P FORNEY |
| MATERIAL #4 HARD BRASS | CHK 1/30/91 JR RUTH |
| FINISH | APPD 3/7/91 G YETTER |
| | APPD 3/7/91 R MEAVILL |
| | PRODUCT SPEC |
| | APPLICATION SPEC |
| | WEIGHT |

| | |
|--------------------------------------|---|
| 0.3 - 0.8mm ² [22-18] AWG | 60440-1 |
| WIRE RANGE | PART NO |
| AMP | AMP Incorporated Harrisburg, PA 17105-3608 |
| RECEPTACLE, PIN, 2.36 [±.093] DIA | |
| SIZE B | CAGE CODE 00779 |
| SCALE 5:1 | DRAWING NO 60440 |
| | SHEET 1 OF 1 |

CUSTOMER DRAWING

单击下面可查看定价，库存，交付和生命周期等信息

[>>TE Connectivity\(泰科\)](#)