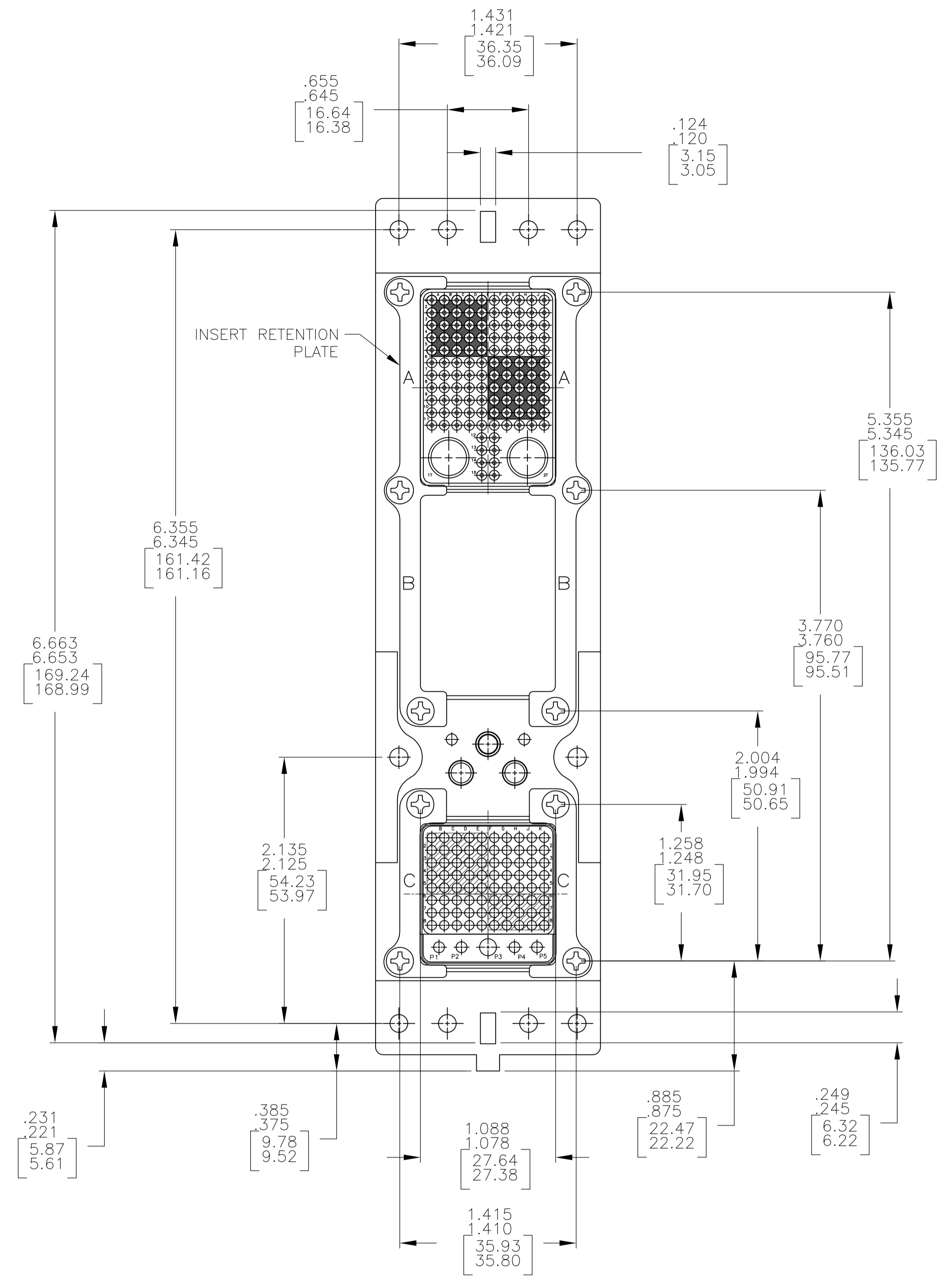
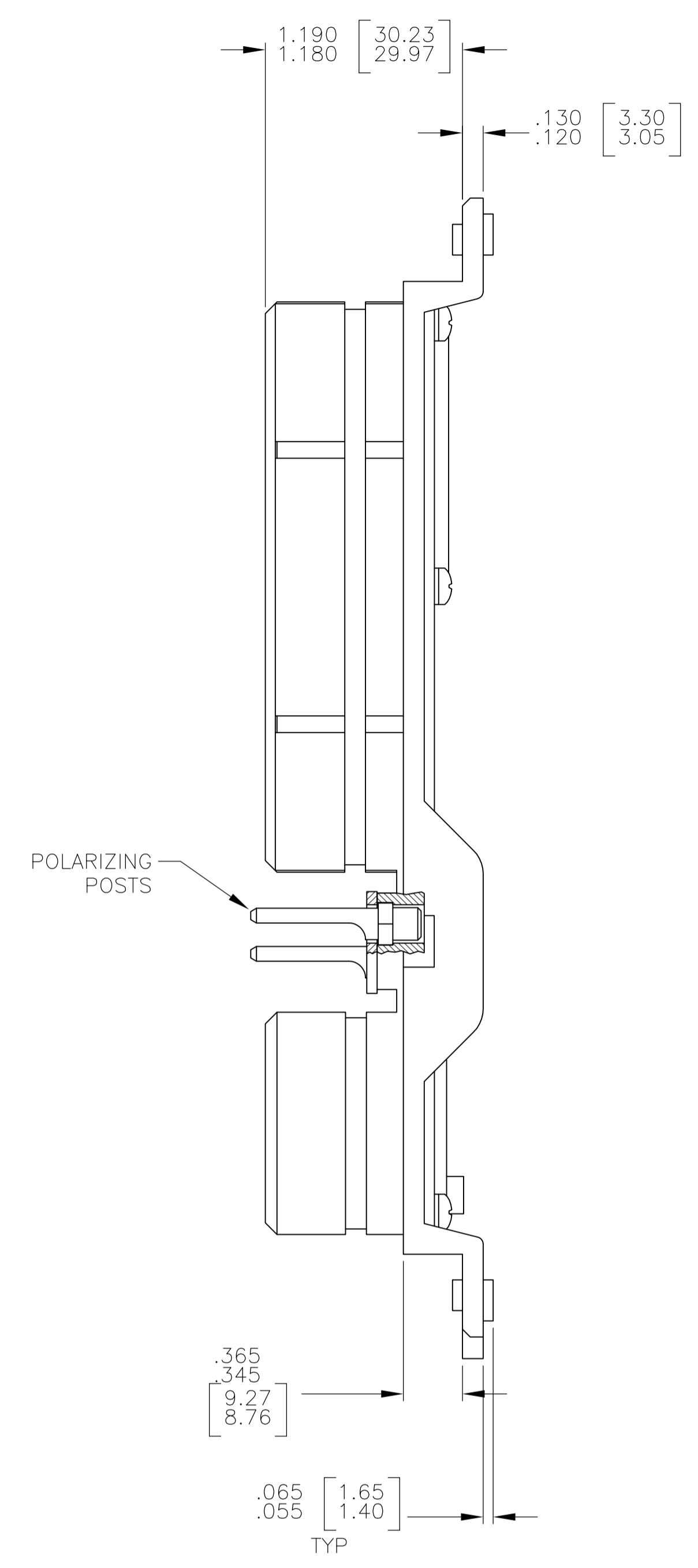
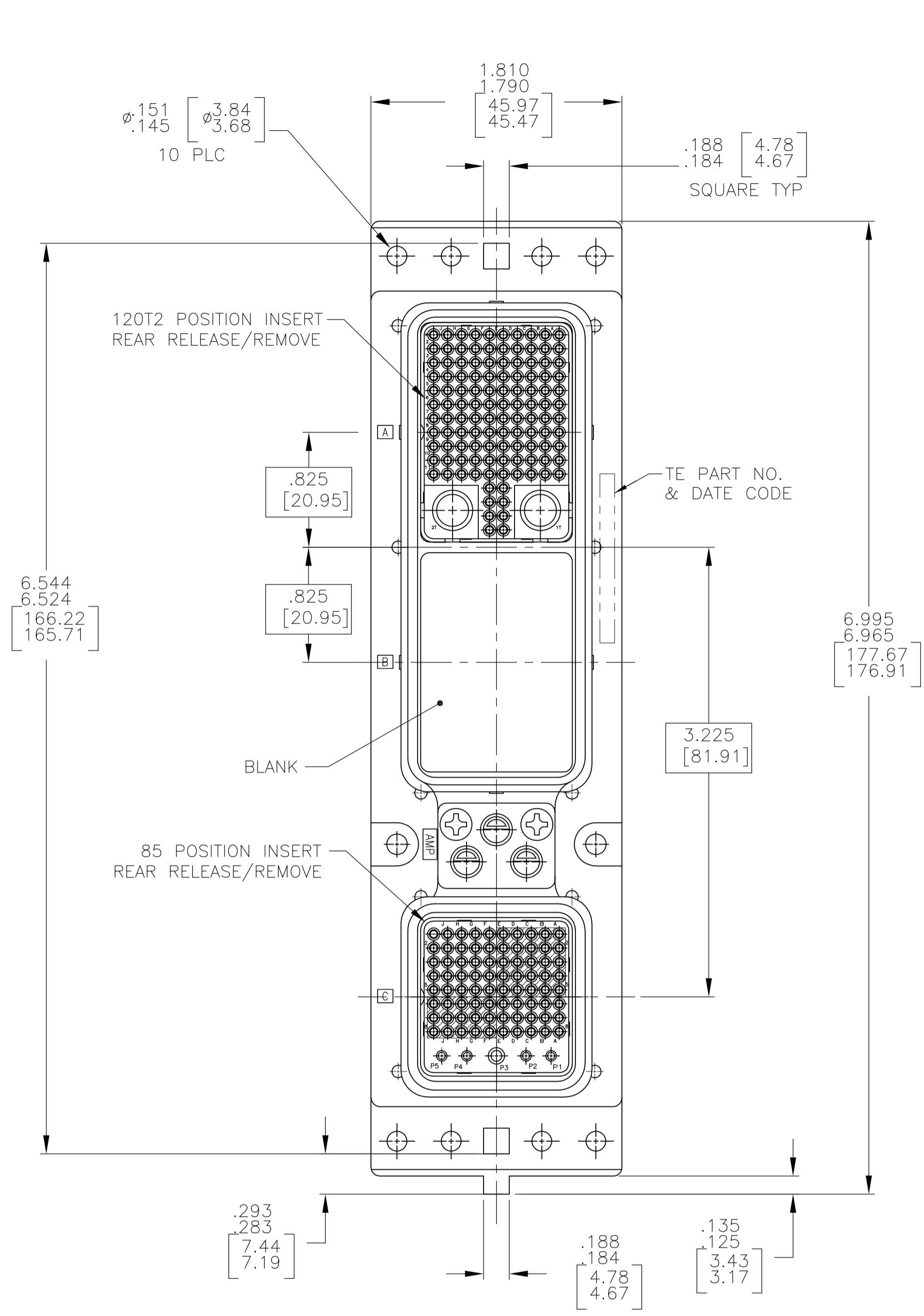


REVISONS		DATE	DNW	APVD
LOC	DIST	DESCRIPTION		
A	RELEASED		11-5-09	CT KT



- CONNECTOR DIMENSIONS ARE PER ARINC 600 SPECIFICATION.
- CONNECTOR IS SUPPLIED WITH CONTACTS AS LISTED IN TABLE (NOT INSTALLED).
- KEYING SHOWN IN POSITION "01" FOR ILLUSTRATION ONLY. CONNECTORS SHIPPED WITH KEYING INSTALLED IN POSITION PER TABLE. FOR POSITION "00" KEYING HARDWARE SHIPPED UNASSEMBLED.
- DUST COVER INSTALLED FOR SHIPPING (NOT SHOWN).

COMPONENT	MATERIAL	FINISH
SHELL	DIE CAST ALUMINUM PER ASTM-B-85	ELECTROLESS NICKEL PER MIL-C-26074
INSERT RETENTION PLATES	ALUMINUM ALLOY PER ASTM-B-209	ELECTROLESS NICKEL PER MIL-C-26074
SCREWS AND LOCKWASHERS	STAINLESS STEEL	PASSIVATED
POLARIZING KEYS	ZINC ALLOY PER ASTM-B-86	-
120T2 & 85 INSERTS	THERMOSET OR THERMOPLASTIC PPS PER MIL-M-24519	-
POLARIZING KEY RETAINING PLATE	ALUMINUM ALLOY PER ASTM-B-209	BLUE ANODIZED PER MIL-A-8625

130	MODULE A: SIZE 22: 208262-3 (QTY=118) SIZE 8: 1218820-1 (QTY=2)	2101651-1
	MODULE B: NONE MODULE C: SIZE 22: 208262-3 (QTY=80) SIZE 20: 208267-2 (QTY=4) SIZE 16: 208270-2 (QTY=1)	
KEYING POSITION	CONTACTS INCLUDED AND NOT INSTALLED	PART NUMBER

THIS DRAWING IS A CONTROLLED DOCUMENT.

DIMENSIONS: INCHES [mm]	TOLERANCES UNLESS OTHERWISE SPECIFIED:	0 PLC ± .005	1 PLC ± .005	2 PLC ± .005	3 PLC ± .005	4 PLC ± .005	ANGLES ± .005				
MATERIAL SEE TABLE	FINISH SEE TABLE	WEIGHT	—	SIZE	A1	CAGE CODE	00779	DRAWING NO.	2101651	RESTRICTED TO	—
CUSTOMER DRAWING		SCALE	3:2	SHEET	1	OF	1	REV	A		

**Tyco Electronics**  
 Tyco Electronics Corporation  
 Harrisburg, Pa 17105-3608  
 NAME: K. THACKSTON  
 PRODUCT SPEC: PLUG ASSY, SIZE 2, ARINC 600. (120T2/BLANK/85)  
 APPLICATION SPEC: —  
 DATE: 11-5-09

单击下面可查看定价，库存，交付和生命周期等信息

[>>TE Connectivity\(泰科\)](#)