

LOC	DIST	REVISIONS					
DS		P	LTR	DESCRIPTION	DATE	DWN	APVD
			A	RELEASED	09.SEP.'11	YH	HG
			B	REVISED (ECR-13-007729)	10.DEC.'13	SJ	HG
			C	REVISED (ECR-14-000406)	14.JUL.'14	SJ	HG

SEE P/NO 2005475

THIS P/NO IS ADDED BY ANOTHER LOCAL CUSTOMER REQUIREMENT.
EACH P/NO(2005475, 2109432) HAS SAME PREFIX/SUFFIX P/NO.

PACKING SPECS ARE SAME.


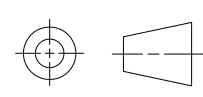
LOCAL	EXPORT	DESCRIPTION	OTHER
2005475-2	2109432-2	105P PLUG LH-A TYPE	ISUZU
1-2005475-2	1-2109432-2	105P PLUG RH-A TYPE	
2-2005475-2	2-2109432-2	105P PLUG LH-B TYPE	
3-2005475-2	3-2109432-2	105P PLUG RH-B TYPE	

RELEASED FOR PUBLICATION

ALL RIGHTS RESERVED.

THIS DRAWING IS UNPUBLISHED.

© COPYRIGHT

DIMENSIONS: MM	DWN SJ CHOI	MATERIAL	FINISH
TOLERANCES UNLESS OTHERWISE SPECIFIED:	CHK JW JUNG	 TE Connectivity	
0 PLC ± 1 PLC ± 2 PLC ± 3 PLC ± 4 PLC ± ANGLES ±	APVD HG CHO		
	PRODUCT SPEC	SIZE	RESTRICTED TO
	APPLICATION SPEC	CAGE CODE	
WEIGHT	A4 00779 ©= 2109432		
CUSTOMER DRAWING	SCALE	SHEET	REV
	N/A	1 OF 1	C

单击下面可查看定价，库存，交付和生命周期等信息

[>>TE Connectivity\(泰科\)](#)