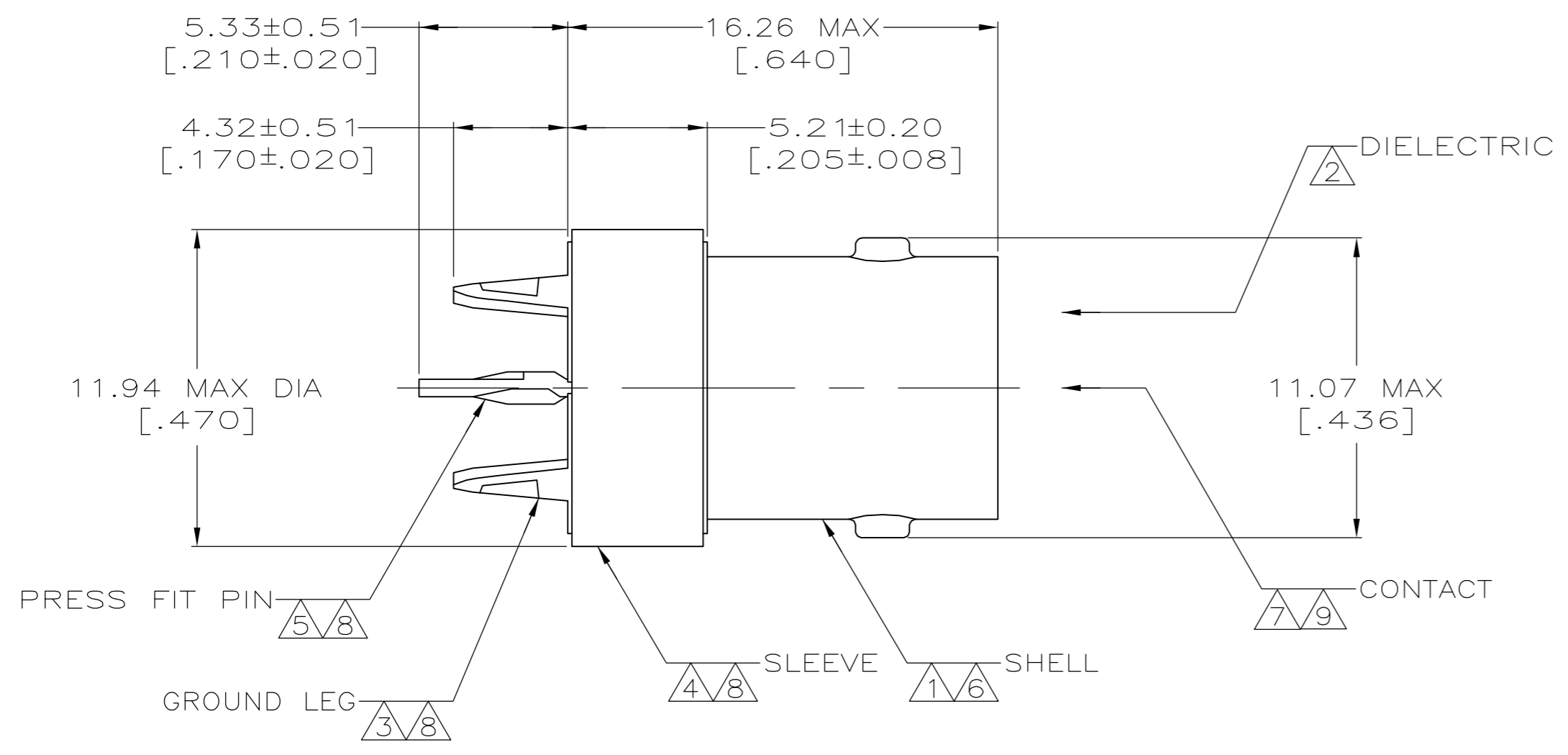
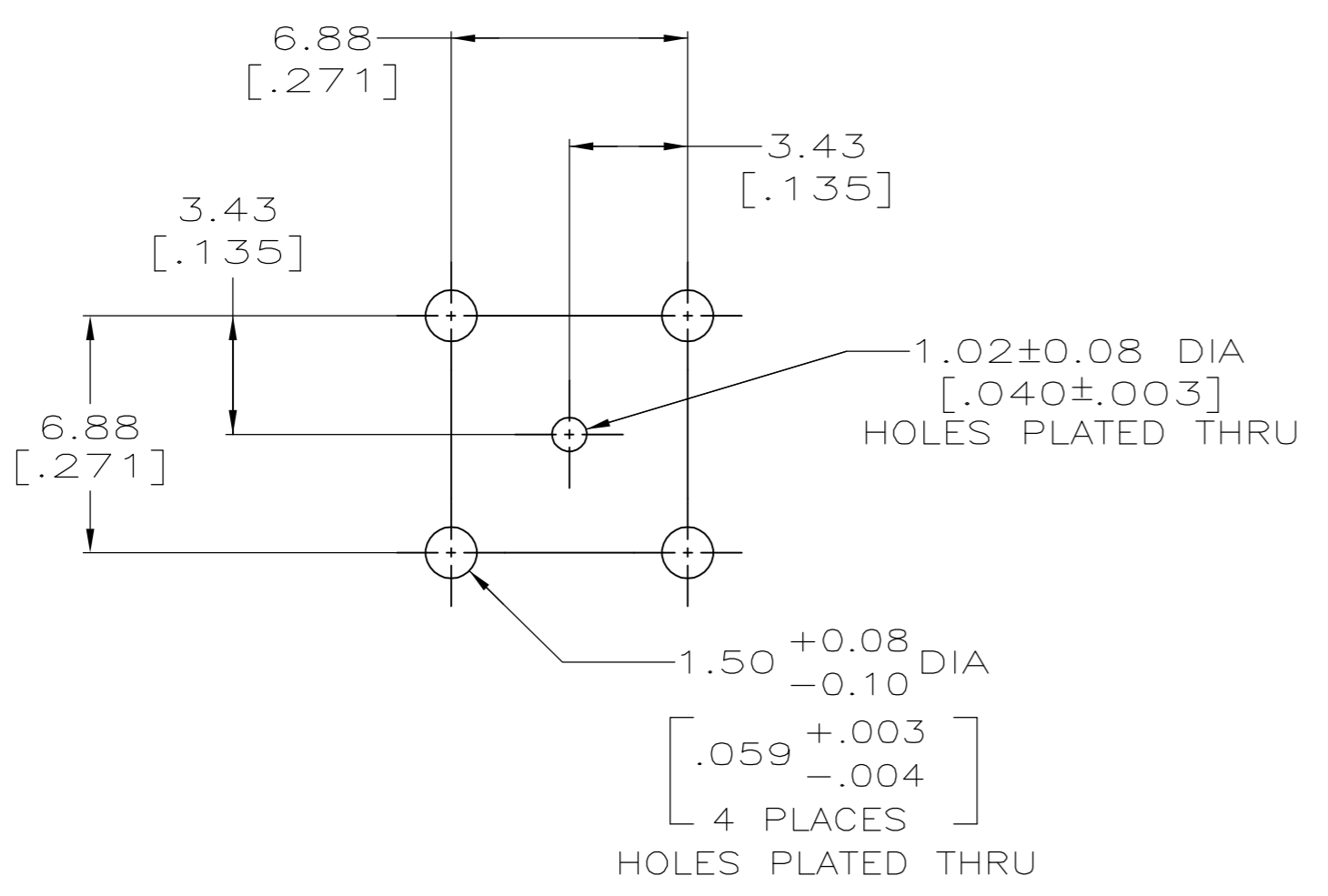


THIS DRAWING IS UNPUBLISHED. RELEASED FOR PUBLICATION  
 © COPYRIGHT BY TYCO ELECTRONICS CORPORATION. ALL RIGHTS RESERVED.

LOC	DIST	REVISIONS			
P	LTR	DESCRIPTION	DATE	DWN	APVD
AJ	16	B	REVISED PER ECO 07-002853	21MAR2007	DW JL



- ① ZINC PER QQ-Z-363.
- ② PTFE PER ASTM D 1710.
- ③ COPPER-IRON ALLOY PER ASTM B 465.
- ④ COPPER PER QQ-C-576.
- ⑤ COPPER-NICKEL ALLOY PER ASTM B 122.
- ⑥ NICKEL PLATE PER QQ-N-290  
3.81 μm [.000150] MINIMUM THICK.
- ⑦ GOLD PLATE PER ASTM B 488  
0.76 μm [.000030] MINIMUM THICK.
- ⑧ TIN PLATE PER ASTM B 545,  
2.54 μm [.000100] MIN THICK.
- ⑨ BERYLLIUM COPPER PER ASTM B 643.
- 10. INTERFACE DIMENSIONS PER LUCENT SPEC WP-92009.
- 11. CONNECTOR PRESS FIT IS DESIGNED TO PROVIDE 100 LB. MINIMUM AXIAL RETENTION TO PCB COMPLIANT WITH TYCO APPLICATION SPEC 114-12001. AS A RESULT, DEFORMATION OF PLATED THROUGH HOLES WILL OCCUR. CUSTOMER VALIDATION AND ACCEPTANCE OF THIS DEFORMATION IS RECOMMENDED PRIOR TO SPECIFYING USE OF THIS PRODUCT.



PCB CONFIGURATION

5414088-1  
PART NUMBER

THIS DRAWING IS A CONTROLLED DOCUMENT.		DWN A. FERNANDEZ-DOCK5 22APR2005	tyco Electronics Tyco Electronics Corporation Harrisburg, PA 17105-3608																					
DIMENSIONS: mm [INCHES]		CHK J. HAVENER 22APR2005	NAME JACK, PCB, HIGH RETENTION PRESS FIT, 75 OHM, BNC																					
TOLERANCES UNLESS OTHERWISE SPECIFIED:		APVD J. LIPPERT 22APR2005	PRODUCT SPEC	RESTRICTED TO																				
<table border="0"> <tr><td>0 PLC</td><td>±</td><td>-</td></tr> <tr><td>1 PLC</td><td>±</td><td>-</td></tr> <tr><td>2 PLC</td><td>±</td><td>0.05 [.002]</td></tr> <tr><td>3 PLC</td><td>±</td><td>-</td></tr> <tr><td>4 PLC</td><td>±</td><td>-</td></tr> <tr><td>ANGLES</td><td>±</td><td>-</td></tr> <tr><td>FINISH</td><td>±</td><td>-</td></tr> </table>		0 PLC	±	-	1 PLC	±	-	2 PLC	±	0.05 [.002]	3 PLC	±	-	4 PLC	±	-	ANGLES	±	-	FINISH	±	-	APPLICATION SPEC	SIZE A2
0 PLC	±	-																						
1 PLC	±	-																						
2 PLC	±	0.05 [.002]																						
3 PLC	±	-																						
4 PLC	±	-																						
ANGLES	±	-																						
FINISH	±	-																						
MATERIAL NOTES 1-5, 9	FINISH NOTES 6-8	WEIGHT -	CAGE CODE 00779	DRAWING NO 5414088																				
CUSTOMER DRAWING		SCALE 5:1	SHEET 1 of 1	REV B																				

单击下面可查看定价，库存，交付和生命周期等信息

[>>TE Connectivity\(泰科\)](#)