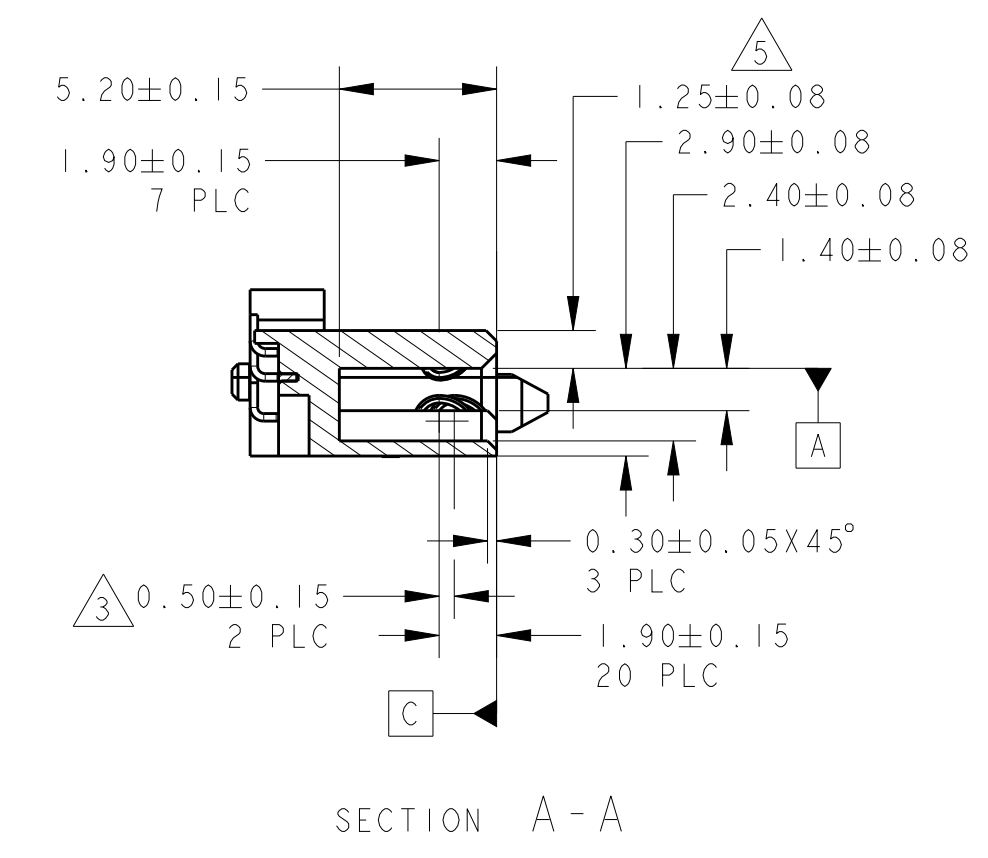
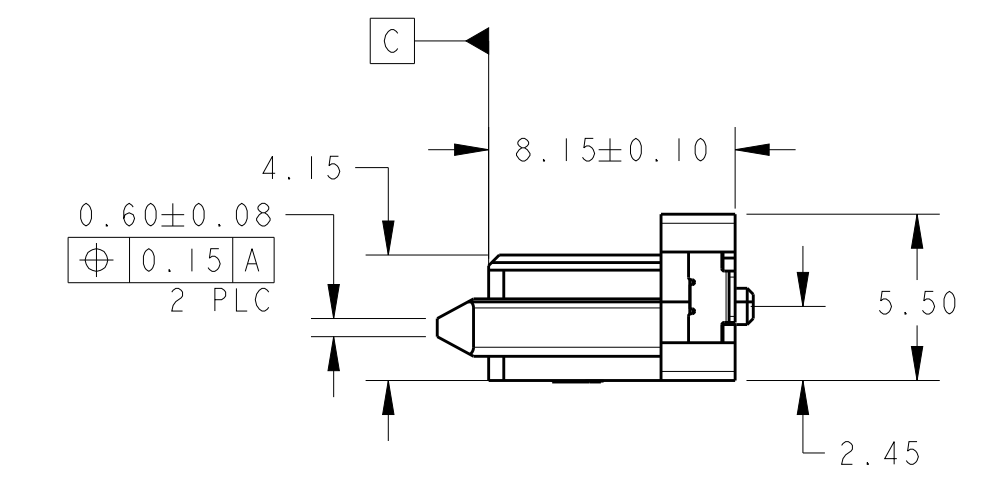
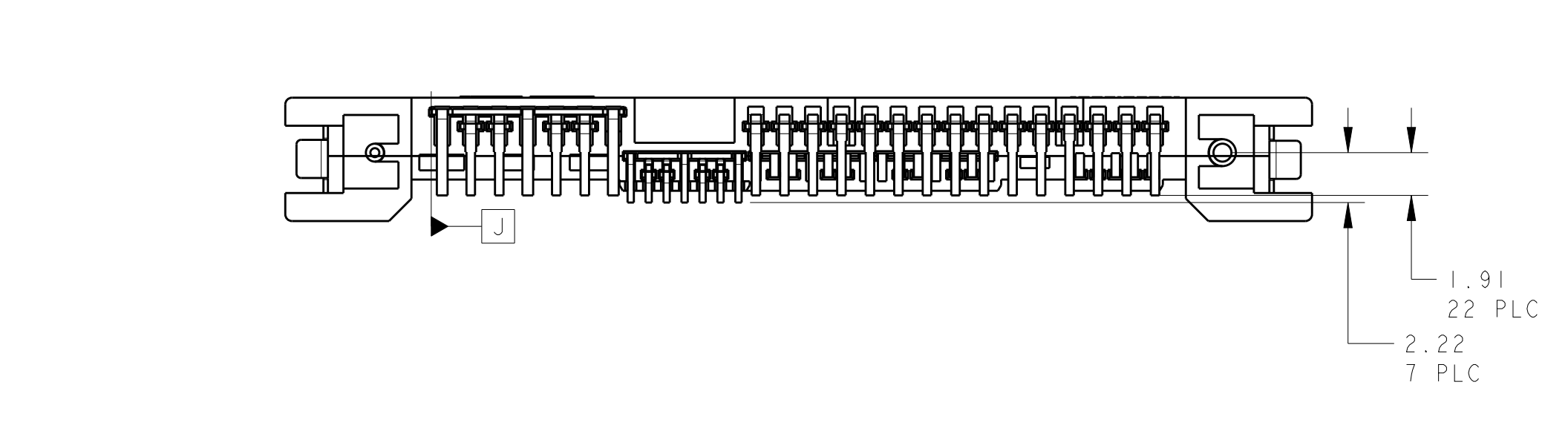
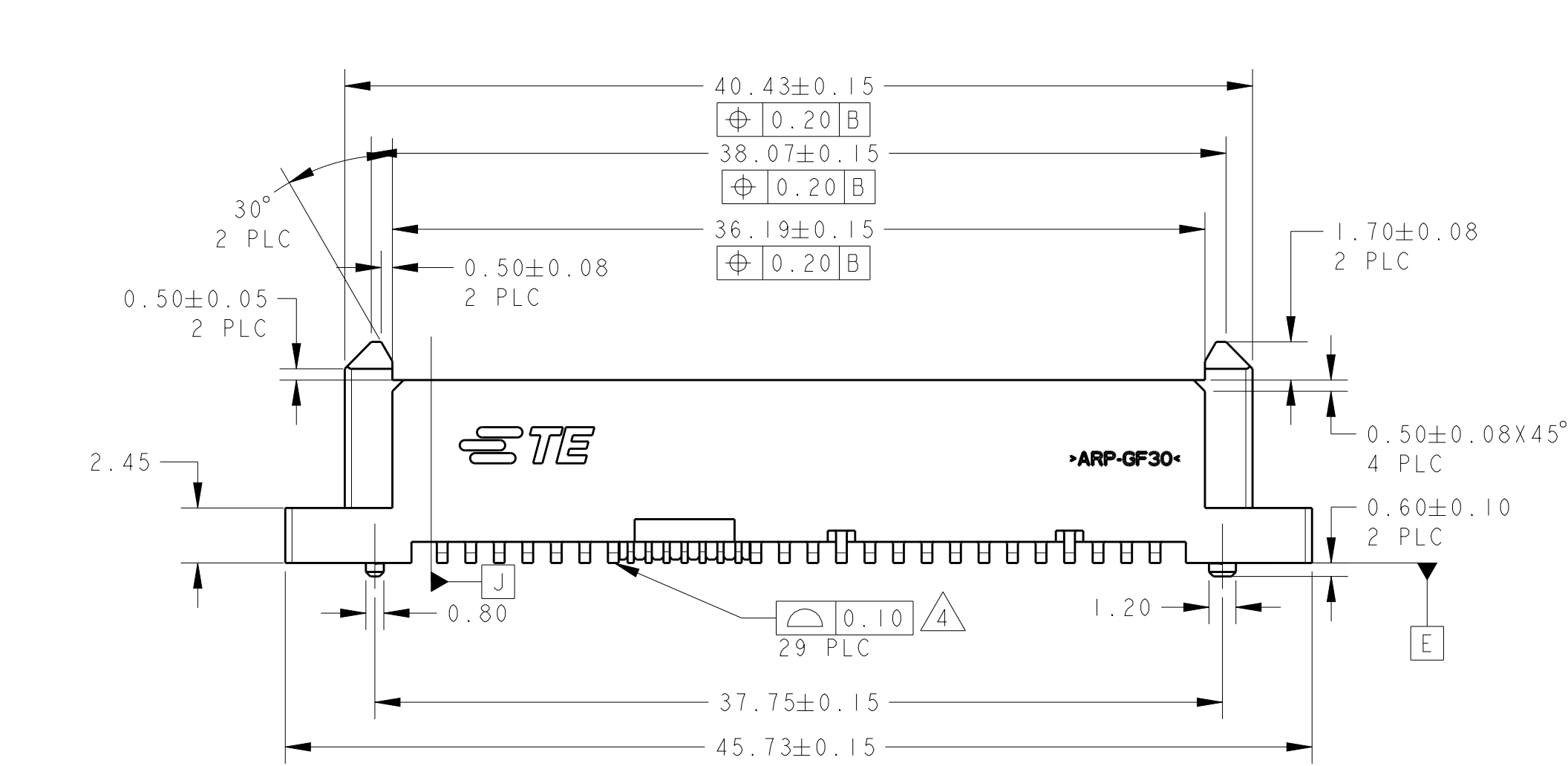
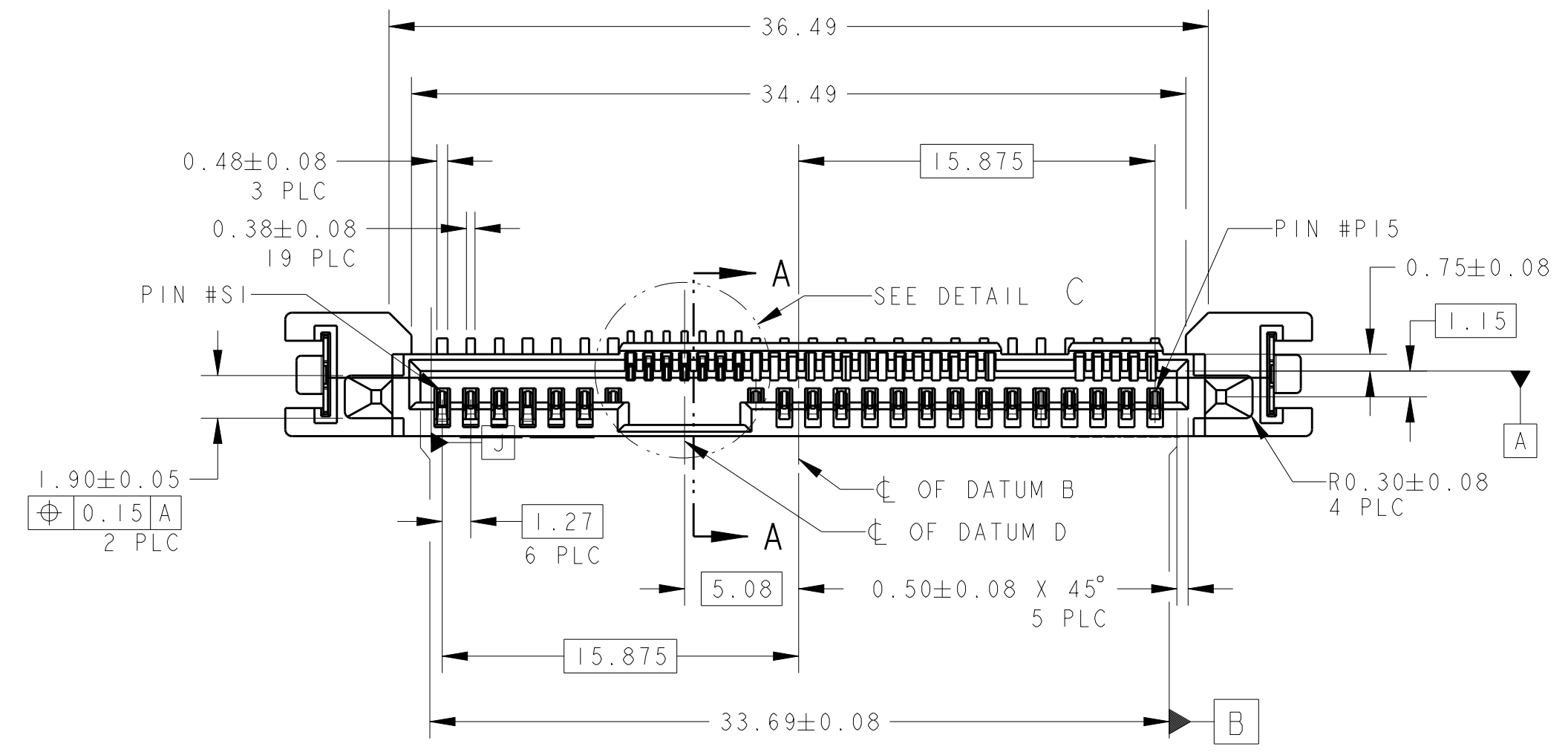
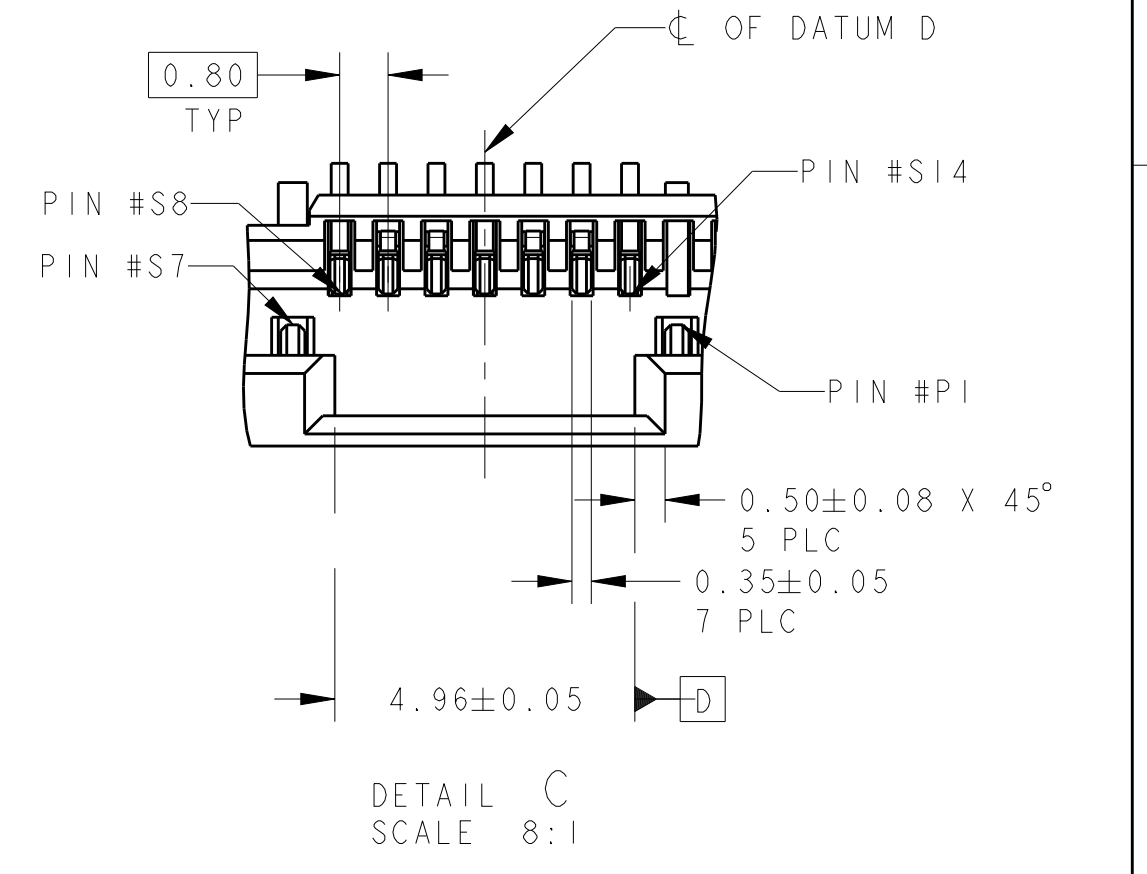


THIS DRAWING IS UNPUBLISHED. RELEASED FOR PUBLICATION 20
 © COPYRIGHT 20 BY - ALL RIGHTS RESERVED.

REVISIONS					
P	LTR	DESCRIPTION	DATE	DWN	APVD
-	A	RELEASED FOR PRODUCTION	07MAR2016	TX	SH



- NOTES:
- 1 MATERIAL:
HOUSING: HIGH TEMP THERMOPLASTIC, UL94V-0,
COLOR: BLACK
CONTACT: COPPER ALLOY
HOLD DOWN: COPPER ALLOY
 - 2 FINISH:
CONTACT AREA: MIN 0.76um GOLD PLATING
SOLDERTAIL: MIN 2.54um MATTE TIN PLATING
UNDERPLATE: MIN 1.27um NICKEL PLATING
 - 3 PIN #P4 AND #P12 ONLY
 - 4 SOLDERTAIL TO BE 0.05 MAX ABOVE AND 0.10 MAX BELOW DATUM E
 - 5 1.33 MAX MEASURED AT DATUM C



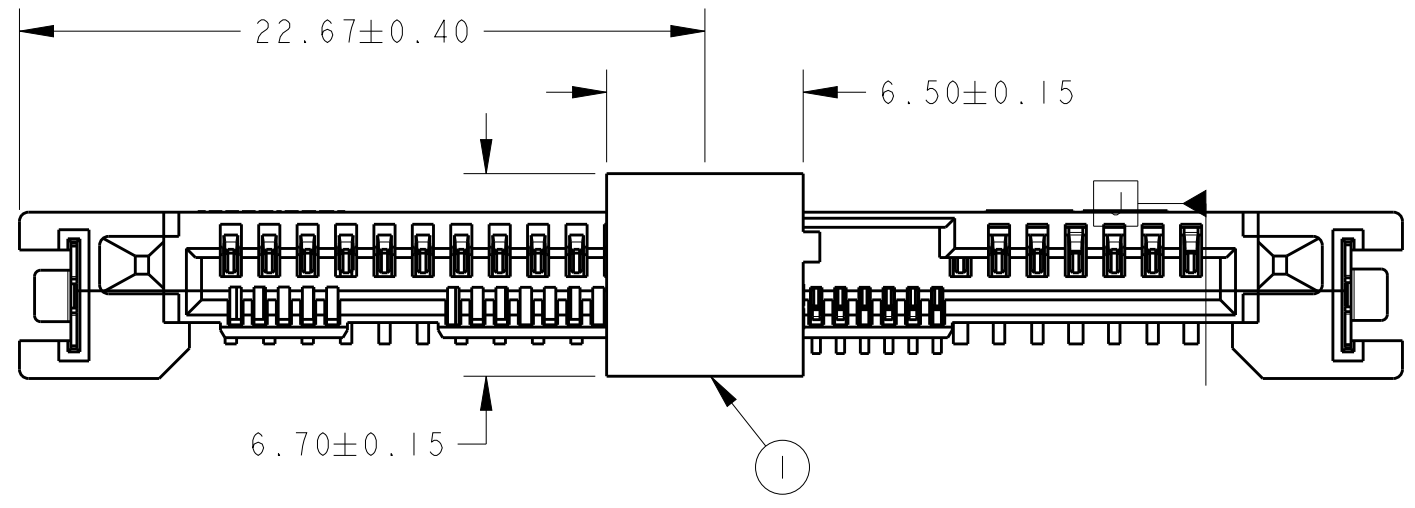
P/N: 1735880-1 AS SHOWN

TAPE AND REEL	YES	1735880-2
TAPE AND REEL	NO	1735880-1
PACKAGE	PICK-UP CAP (1)	PART NUMBER

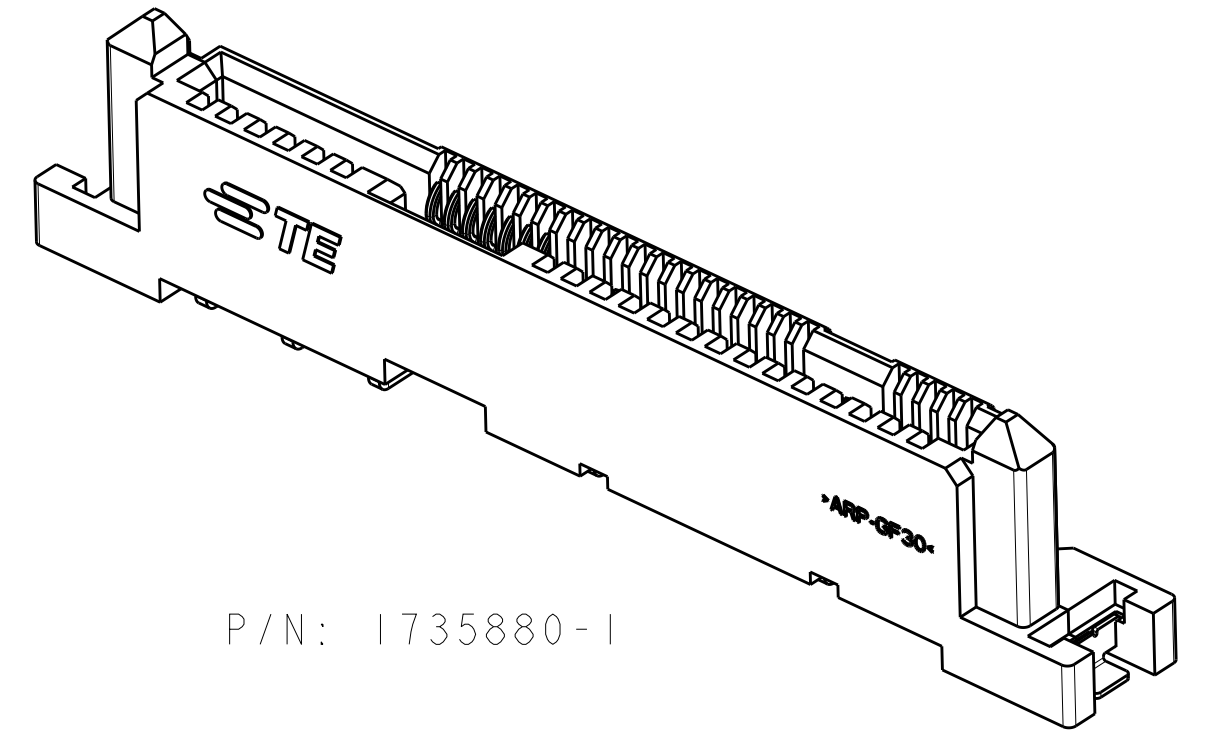
THIS DRAWING IS A CONTROLLED DOCUMENT.		DWN TY PANG 16FEB2011	TE Connectivity	
DIMENSIONS: mm		CHK SF LEONG 27JUN2011		
TOLERANCES UNLESS OTHERWISE SPECIFIED:		APVD SF LEONG 27JUN2011	NAME 12G SAS BACKPLANE RECEPTACLE, VERTICAL, SMT, SMT SOLDER PEG DUAL PORT	
0 PLC ± 1 PLC ±0.20 2 PLC ±0.15 3 PLC ± 4 PLC ±		PRODUCT SPEC 108-51109	SIZE A2	
ANGLES FINISH ±3°		APPLICATION SPEC 114-60017	CAGE CODE C-1735880	
MATERIAL 1 -		WEIGHT -	DRAWING NO 114-60017	
2 -		CUSTOMER DRAWING	RESTRICTED TO -	
		SCALE 4:1	SHEET 1 OF 2 REV A	

THIS DRAWING IS UNPUBLISHED. RELEASED FOR PUBLICATION 20
 © COPYRIGHT 20 BY - ALL RIGHTS RESERVED.

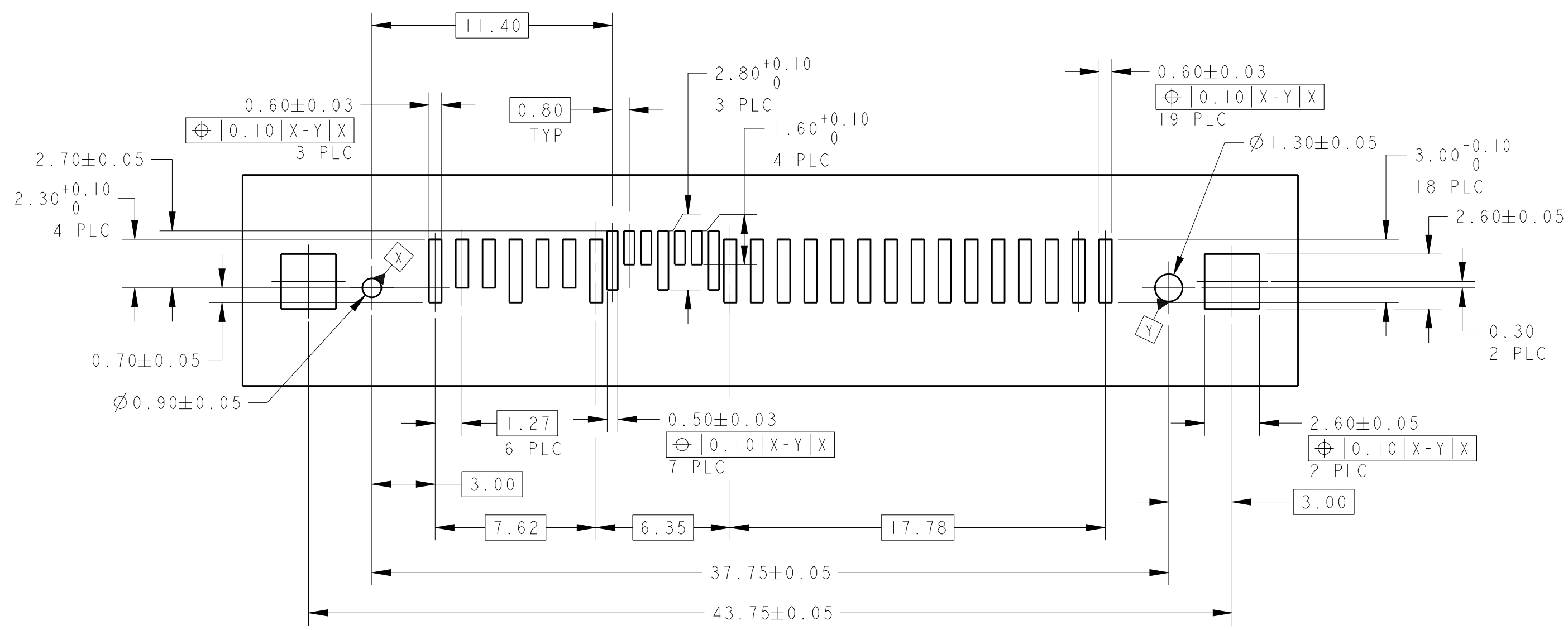
LOC	DIST	REVISIONS			
P	LTR	DESCRIPTION	DATE	DWN	APVD
-	-	SEE SHEET 1	-	-	-



P/N: 1735880-2 AS SHOWN



P/N: 1735880-1



RECOMMENDED PCB LAYOUT
 SCALE 5:1

THIS DRAWING IS A CONTROLLED DOCUMENT.		DWN TY PANG 16FEB2011	TE Connectivity	
DIMENSIONS: mm		CHK SF LEONG 27JUN2011		
TOLERANCES UNLESS OTHERWISE SPECIFIED:		APVD SF LEONG 27JUN2011	NAME 12G SAS BACKPLANE RECEPTACLE, VERTICAL, SMT, SMT SOLDER PEG DUAL PORT	
		PRODUCT SPEC 108-51109	SIZE A200779	
MATERIAL		APPLICATION SPEC 114-60017	DRAWING NO C-1735880	
FINISH		WEIGHT	RESTRICTED TO	
-		CUSTOMER DRAWING	SCALE 4:1 SHEET 2 OF 2 REV A	

单击下面可查看定价，库存，交付和生命周期等信息

[>>TE Connectivity\(泰科\)](#)