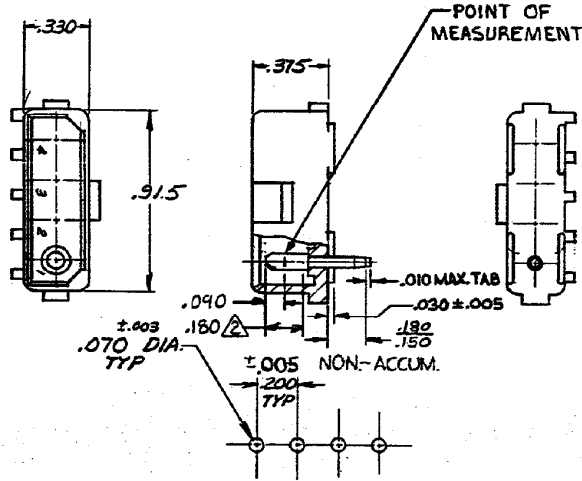


DRAWING MADE IN AMERICAN PROJECTION



RECOMMENDED LAYOUT FOR
.062 THICK P.C. BOARD

- PARTS COMPLY WITH TE SOLDERABILITY SPEC. 109-11-3
- CONTACT IS PLATED OVERALL WITH .000050 NICKEL, THEN .000030 GOLD OVER CONTACT LENGTH INDICATED AND TIN PLATED ON SOLDER TAIL END.
- DIMENSION SHOWN REPRESENT PRODUCT IN DRY CONDITION. ADDITIONAL 2% GROWTH DUE TO END USE LOCATION MOISTURE ABSORPTION MAY OCCUR AND SHOULD BE ACCOUNTED FOR.

WAS P-73-6103

ALL DIMENSIONS IN INCHES. DO NOT SCALE PRINT.

SUPERSEDED BY
1586534-2

5-350543-2	NYLON - GREEN	COPPER ALLOY-GOLD
350543-2	NYLON - NATURAL	COPPER ALLOY - GOLD
350543-1	NYLON - NATURAL	COPPER ALLOY PRE-TIN

REQUIRED PER ASSEMBLY		ASSEMBLY NO.		HSG. MATL & COLOR		PIN MATL & FINISH	
						CUSTOMER COPY REFERENCE ONLY	
OR 3-30-73 G. Eckman		MATERIAL AND FINISH SEE TABLE		TE Connectivity			
CHK 4/11/73 L.M. Howard		WIRE RANGE - INSULATION 7-1		GLASS .064 DIA. PIN		TYPE POSITIVE LOCK	
DE J. Hunter 4-10-73		TOLERANCE EXCEPTIONS AS NOTED ±.10		SCALE N		L.C.B. NO. 350543 N4	
APP J. Hunter 4-10-73		MAKE 4 CIRCUIT MATE-N-LOK		P.C. BOARD HEADER			

N4	REVISED PER ECR-21-117185	VS	PJ	29OCT2022
N3	REVISED PER ECR-18-008156	JB	DZ	12NOV 2013
N2	REVISED PER ECR-13-008342	AV	RP	12NOV 2013
N1	REVISED PER ECO-11-005294	RK	HMR	17APR 11
LTN	REVISION RECORDS	DR	CHK	DATE

350543-2	DESCRIPTION

单击下面可查看定价，库存，交付和生命周期等信息

[>>TE Connectivity\(泰科\)](#)