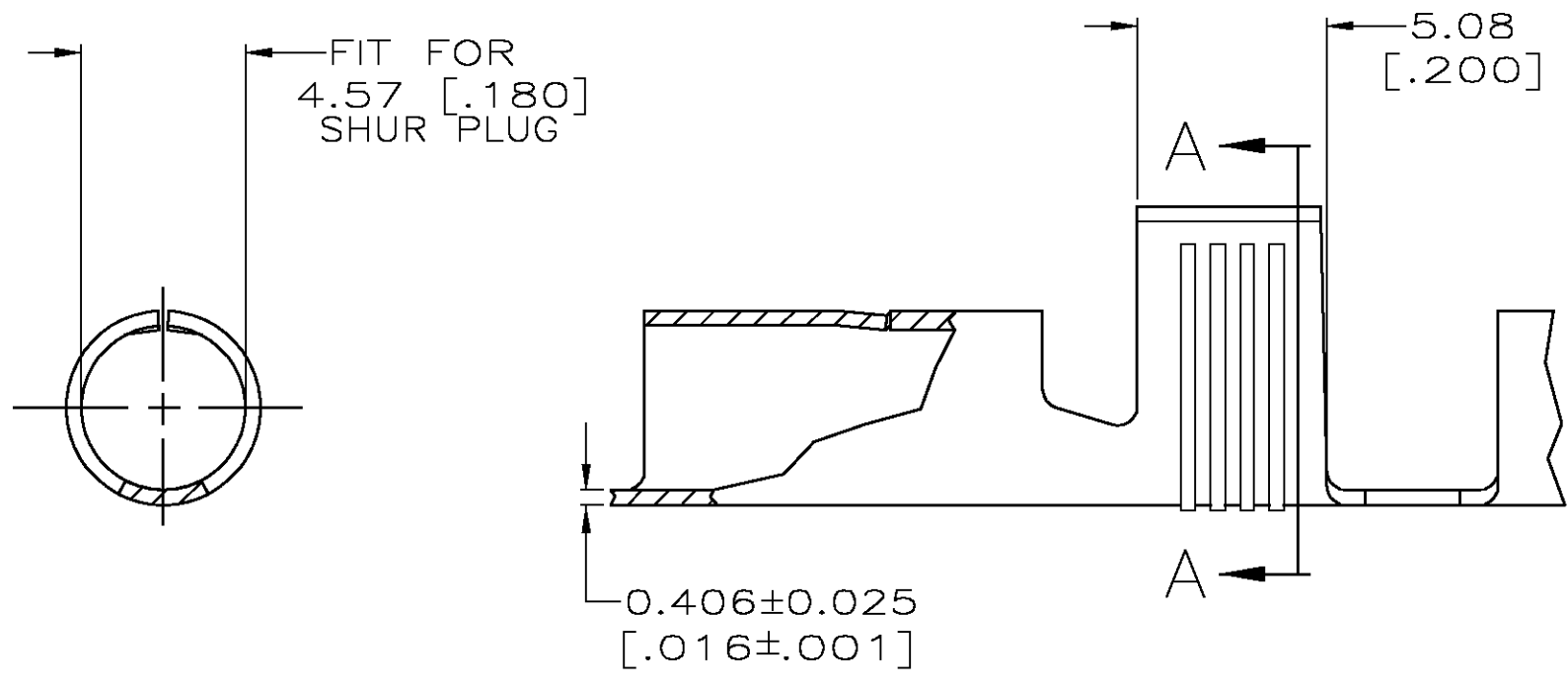
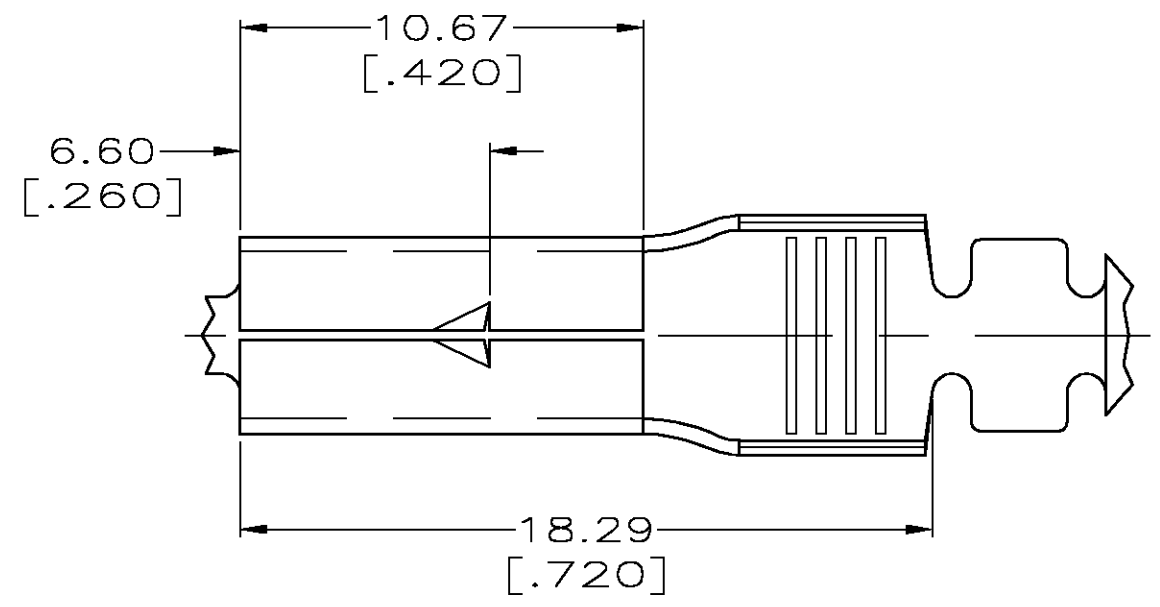
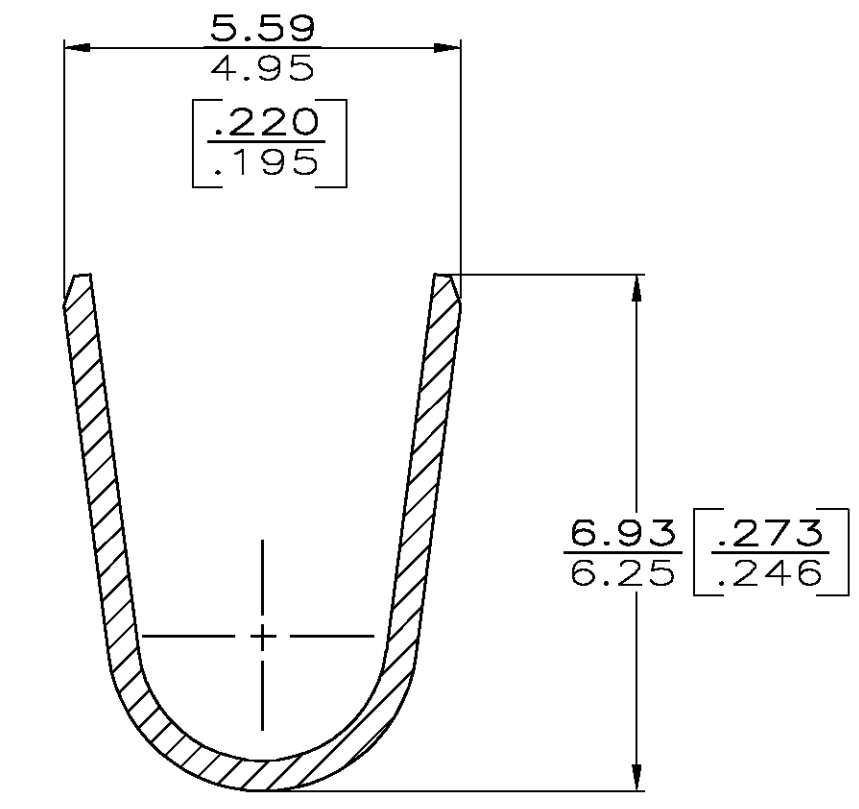


THIS DRAWING IS UNPUBLISHED. RELEASED FOR PUBLICATION
 © COPYRIGHT BY TYCO ELECTRONICS CORPORATION. ALL RIGHTS RESERVED.

LOC	DIST	REVISIONS			
P	LTR	DESCRIPTION	DATE	DWN	APVD
AF	50	C	REVISED PER 0G3A-0679-03	28OCT03	JR GY



- 1 CONTINUOUS STRIP ON REEL.
- △2 0.002032 [.000080] MIN TIN PLATE
- △3 0.00381 [.000150] MIN NICKEL PLATE
- △4 PRELIMINARY - NOT FOR PRODUCTION



SECTION A-A
SCALE 10:1

12-8 AWG	△3	△4 1217070-2
12-8 AWG	△2	1217070-1
WIRE RANGE	FINISH	PART NUMBER

THIS DRAWING IS A CONTROLLED DOCUMENT.		DWN 23/FEB/98 PHILLIP M FORTNEY	Tyco Electronics Corporation Harrisburg, PA 17105	
DIMENSIONS: MM		CHK 23/FEB/98 JEFF R RUTH	NAME RECEPTACLE, SHUR PLUG, 4.57 [.180] DIA	
TOLERANCES UNLESS OTHERWISE SPECIFIED:		APVD 23/FEB/98 GARY YETTER	PRODUCT SPEC	
0 PLC ± - 1 PLC ± - 2 PLC ± 0.25 [.010] 3 PLC ± - 4 PLC ± - ANGLES ± -		APPLICATION SPEC 114-2017		
MATERIAL 4M BRASS	FINISH SEE TABLE	WEIGHT -	SIZE A3	CAGE CODE 00779
CUSTOMER DRAWING			DRAWING NO C-1217070	RESTRICTED TO -
SCALE 5:1			SHEET 1 OF 1	REV C

单击下面可查看定价，库存，交付和生命周期等信息

[>>TE Connectivity\(泰科\)](#)