

THIS DRAWING IS UNPUBLISHED. RELEASED FOR PUBLICATION 20
 © COPYRIGHT 20 BY TYCO ELECTRONICS CORPORATION. ALL INTERNATIONAL RIGHTS RESERVED.

LOC	DIST	REVISIONS					
CE	16	P	LTR	DESCRIPTION	DATE	DWN	APVD
		B		ECR 09-021710	12-8-09	LGE	FA

1 MATERIAL: THERMOPLASTIC ELASTOMER
 ARNITEL PL460S
 FLAMABILITY RATING: UL94V-0
 COLOR : BLACK

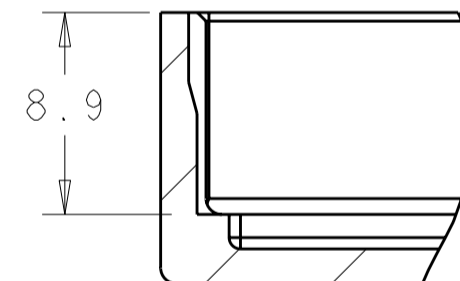
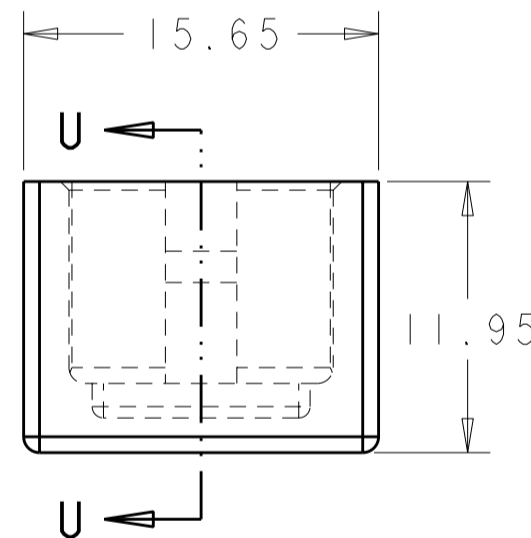
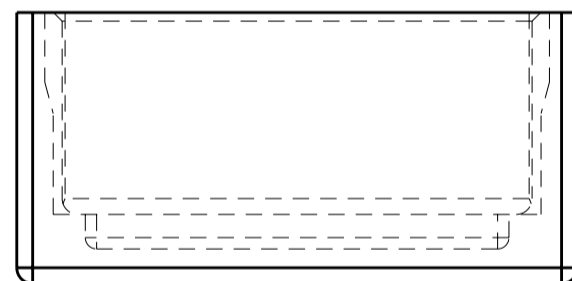
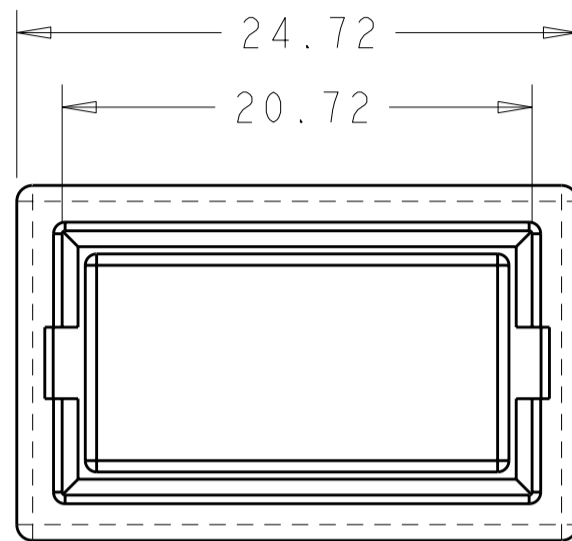
2 BULK PACKAGE 25 PCS.

3. RETENTION FORCE: 1/2 LB MIN.

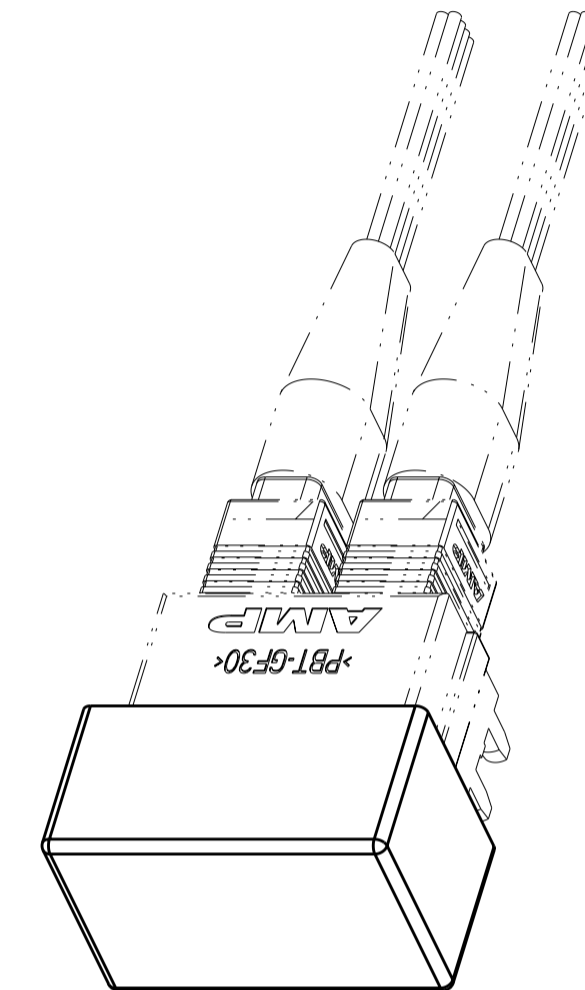
4 MATERIAL: THERMOPLASTIC ELASTOMER
 ARNITEL PL460S
 FLAMABILITY RATING: UL94V-0
 COLOR: RED

5 MATERIAL: THERMOPLASTIC ELASTOMER
 ARNITEL PL460S
 FLAMABILITY RATING: UL94V-0
 COLOR: GREEN

6 MATERIAL: THERMOPLASTIC ELASTOMER
 ARNITEL PL460S
 FLAMABILITY RATING: UL94V-0
 COLOR: BLUE



SECTION U-U



SCALE 2:1

BLUE	1	1374674-8
GREEN	6	1374674-7
RED	5	1374674-6
BLACK	4	1374674-5
BLACK	1	1374674-1
COLOR	MATERIAL	PART NO

DIMENSIONS:		TOLERANCES UNLESS OTHERWISE SPECIFIED:		DWN	Tyco Electronics	
mm		0 PLC	±	22MAY2000	Tyco Electronics	
		1 PLC	±0.2	L MORNINGSTAR	Harrisburg, PA 17105-3608	
		2 PLC	±0.13	CHK L BARKUS	NAME SYSTEM CARD HOUSING, DUST COVER	
		3 PLC	±	APVD E ABENDSCHEIN	IX2 VERTICAL, LIGHTRAY MPX	
		4 PLC	±	PRODUCT SPEC	SIZE	CAGE CODE
		ANGLES	±	APPLICATION SPEC	A200779	C-1374674
		FINISH	±	WEIGHT	SCALE	SHEET
				CUSTOMER DRAWING	3/1	1 OF 1

单击下面可查看定价，库存，交付和生命周期等信息

[>>TE Connectivity\(泰科\)](#)