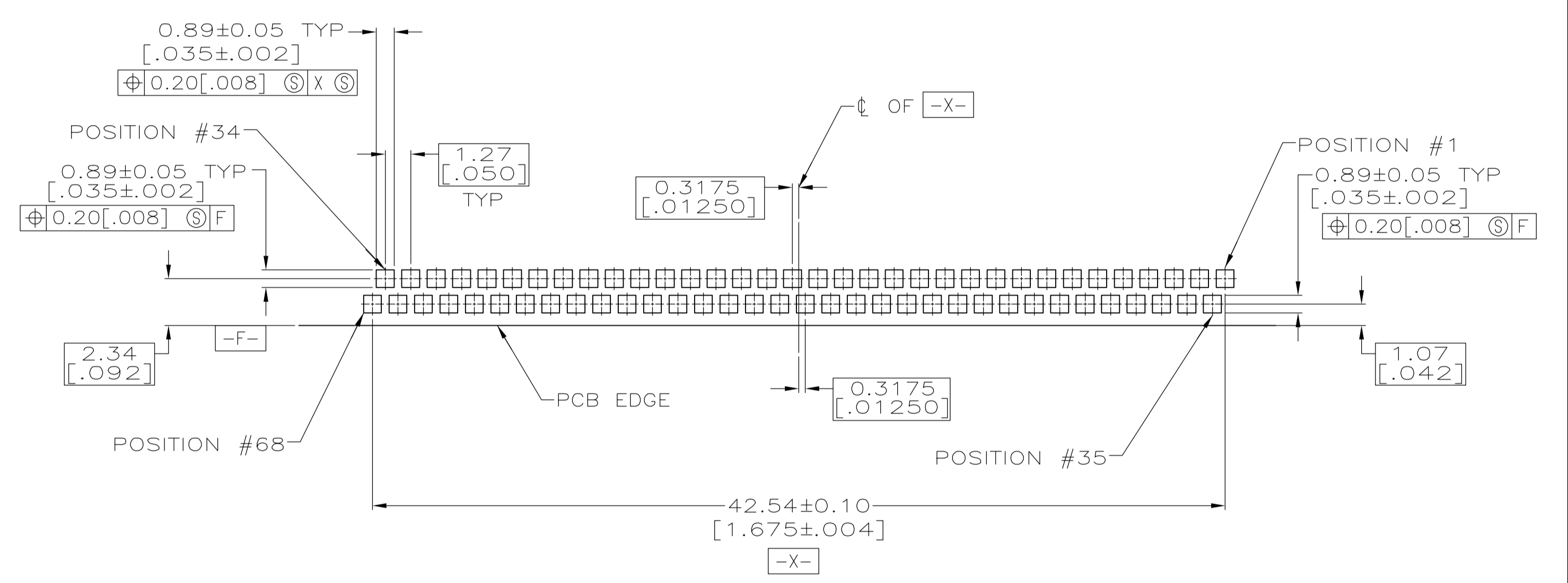
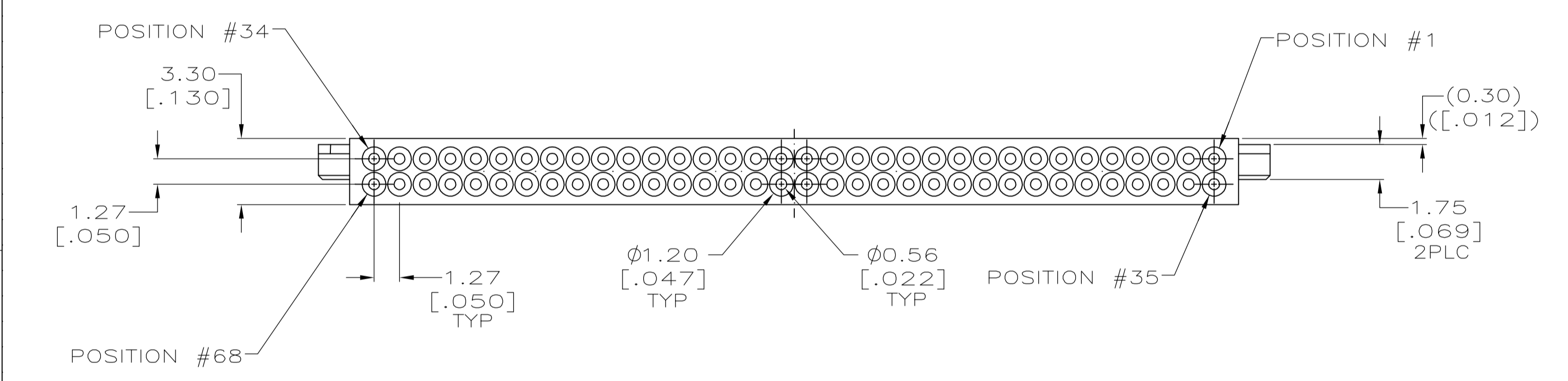
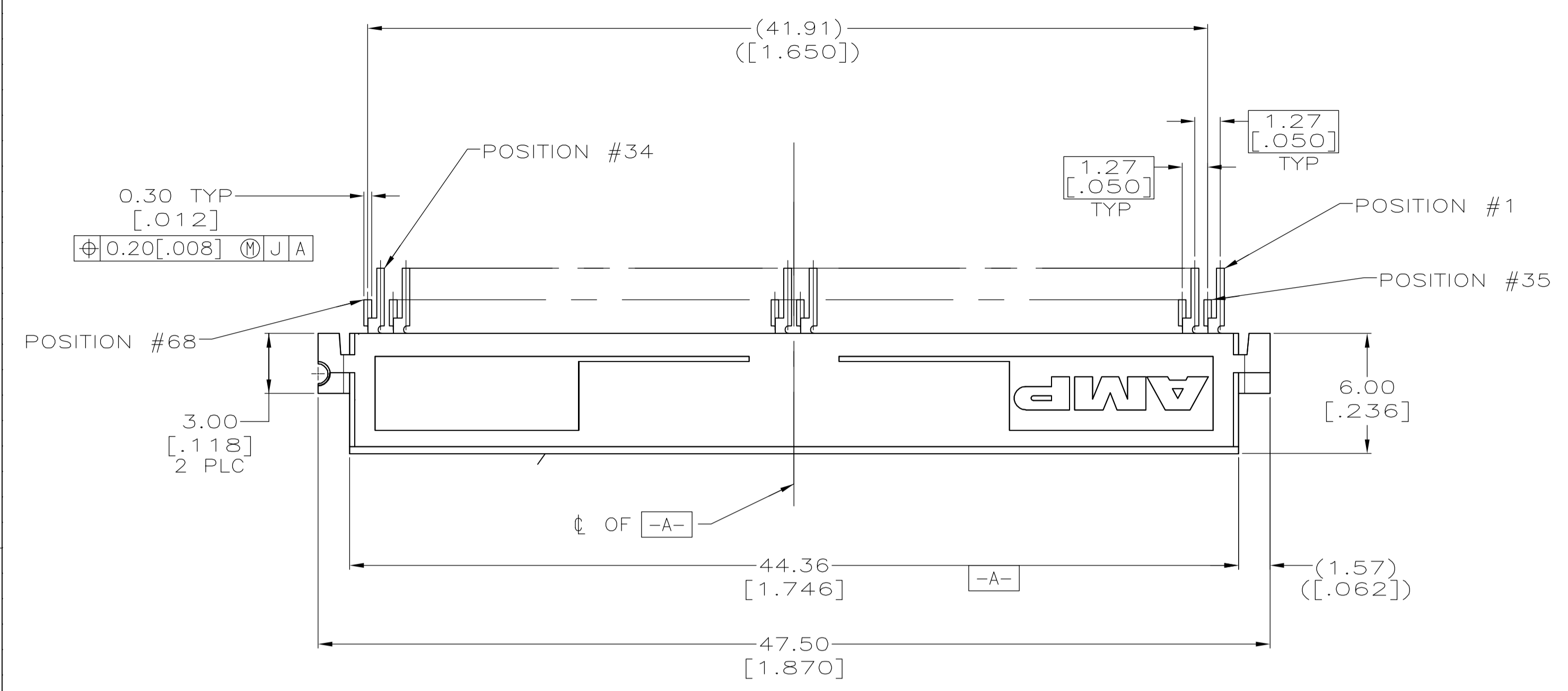
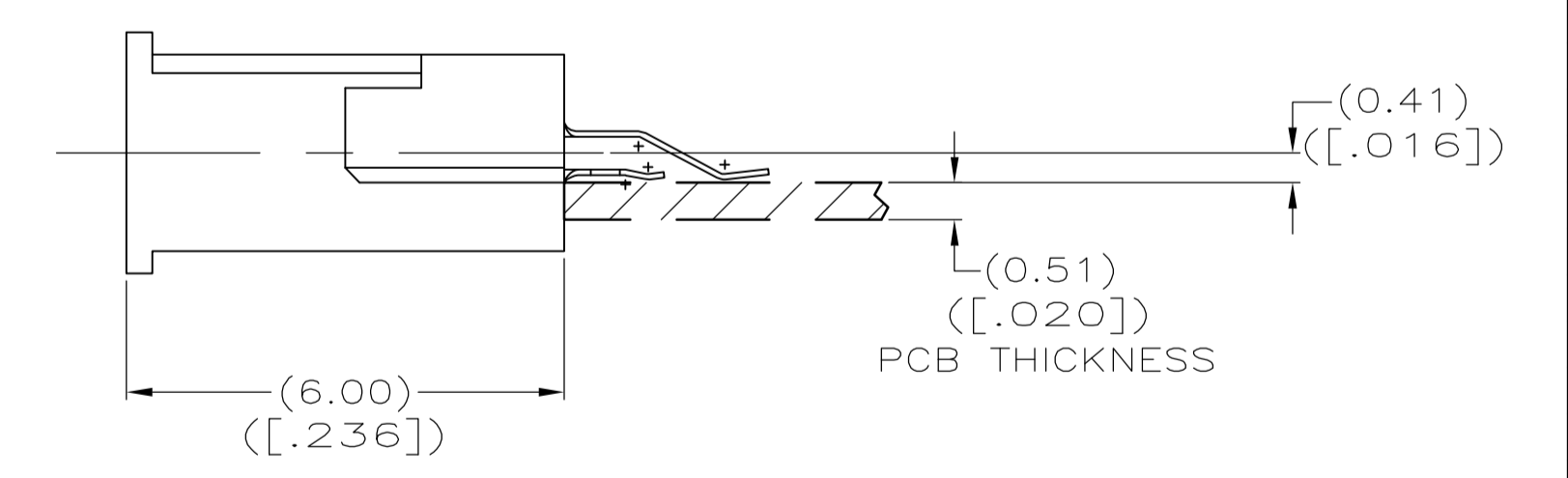
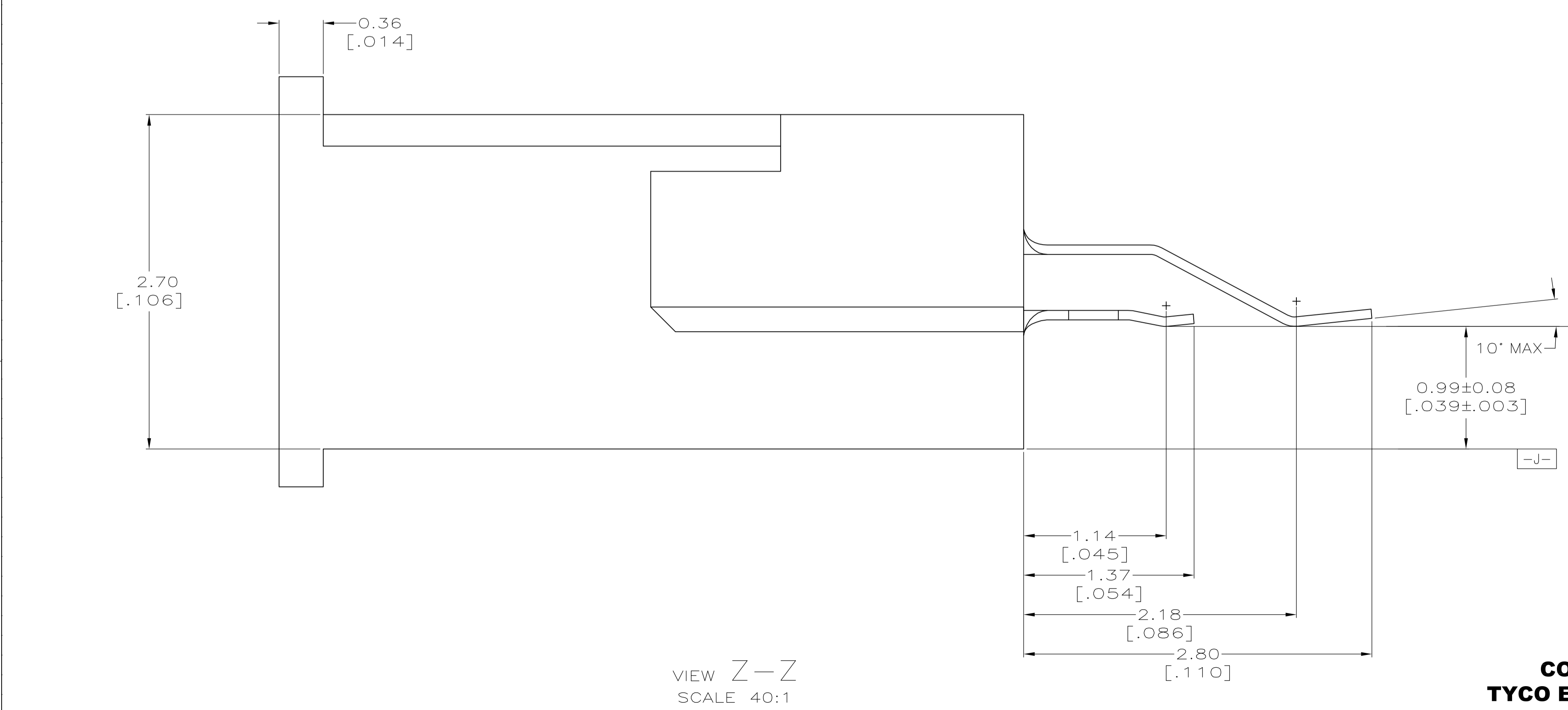


LOC		DIST		REVISIONS			
GP	00	REV	DATE	BY	APPV	DATE	BY
		0	02-18-05	GA	JG	RELEASED PER EC 0513-0006-05	



- 1. HOUSING: LCP, GLASS FILLED, COLOR: BLACK.
- 2. CONTACT: BERYLLIUM COPPER.
- 3. DIMENSION IN REFERENCE TO LOWEST POINT OF EACH LEAD.
- 4. POINT OF CONTACT 2.3[.091] REF FROM MATING FACE.
- 5. APPLIES TO ALL SOLDER TAILS.
- 6. PACKAGED IN 56mm WIDE TAPE AND REEL.
- 7. CONTACT: 0.00076[.000030] MINIMUM GOLD ON MATING AREA, 0.00064[.000025] MINIMUM SEMI-BRIGHT NICKEL ON MATING AREA, 0.00254[.000100] MINIMUM MATTE TIN ON SOLDER TAIL, ALL OVER 0.00127[.000050] MINIMUM MATTE NICKEL.



PC BOARD LOCATION (REF)
SCALE: 10:1

VIEW Z-Z
SCALE 40:1

**COPYRIGHT 2005
TYCO ELECTRONICS CORP
ALL RIGHTS RESERVED**

THIS DRAWING IS A CONTROLLED DOCUMENT.		DWG G. ATTADIA - 02-18-05	APVD M. WALMSLEY 02-18-05	NAME RCPT ASSEMBLY, SURFACE MOUNT, 68 POS. 0.41mm/.016in OFFSET, AMP MEMORY CARD	68	5146322-2
DIMENSIONS: mm[INCHES]		TOLERANCES UNLESS OTHERWISE SPECIFIED:		PRODUCT SPEC	POSITIONS	PART NUMBER
0 PLC ± -		1 PLC ± -		APPLICATION SPEC		
1 PLC ± -		2 PLC ± 0.13[.005]		SIZE	A1	
2 PLC ± -		3 PLC ± -		WEIGHT	000779C=5146322	
3 PLC ± -		4 PLC ± -		CUSTOMER DRAWING	SCALE 1:1	SHEET 1 of 1
4 PLC ± -		ANGLES ± ± 0° 30'		RESTRICTED TO		
MATERIAL		FINISH				

单击下面可查看定价，库存，交付和生命周期等信息

[>>TE Connectivity\(泰科\)](#)