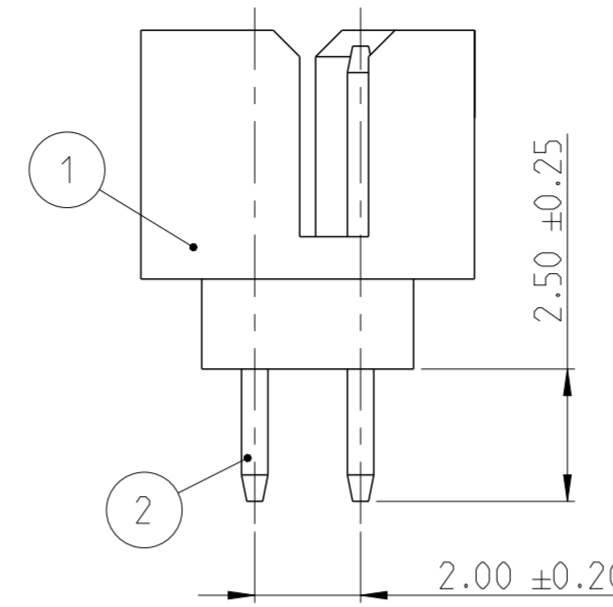
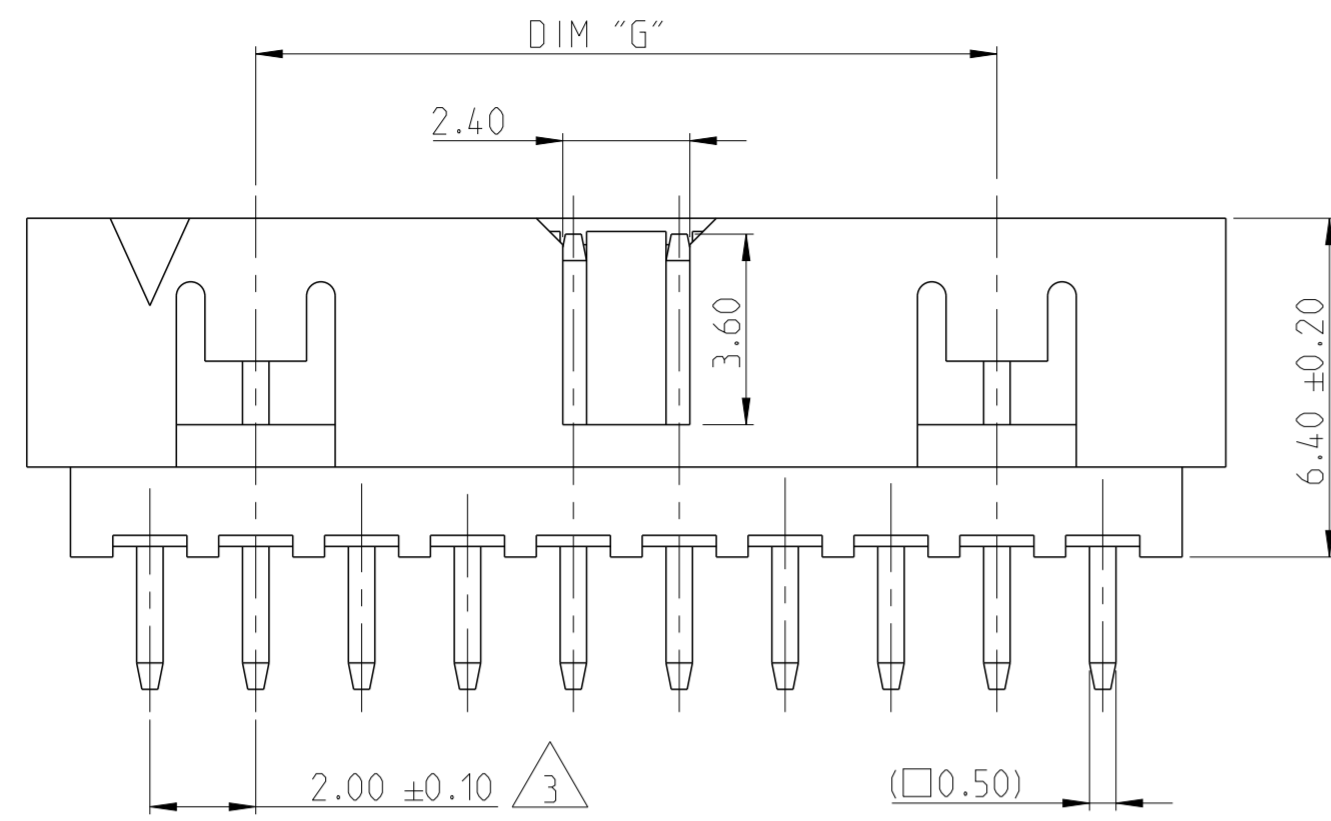
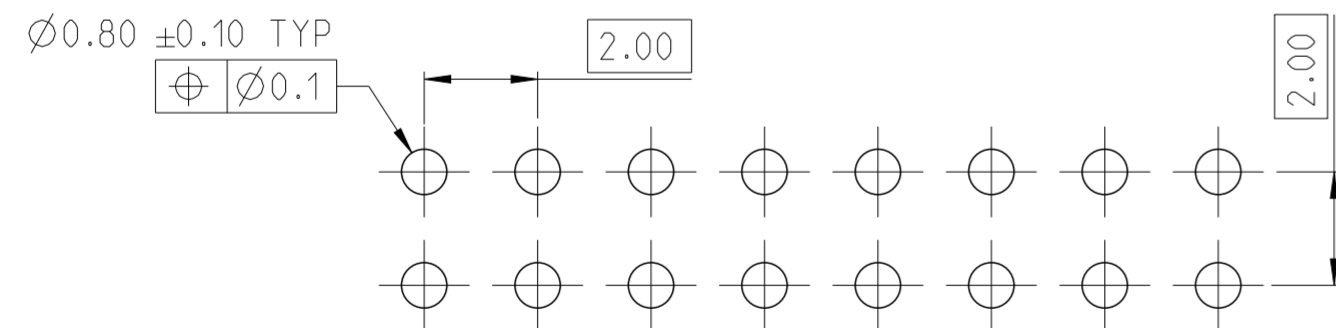
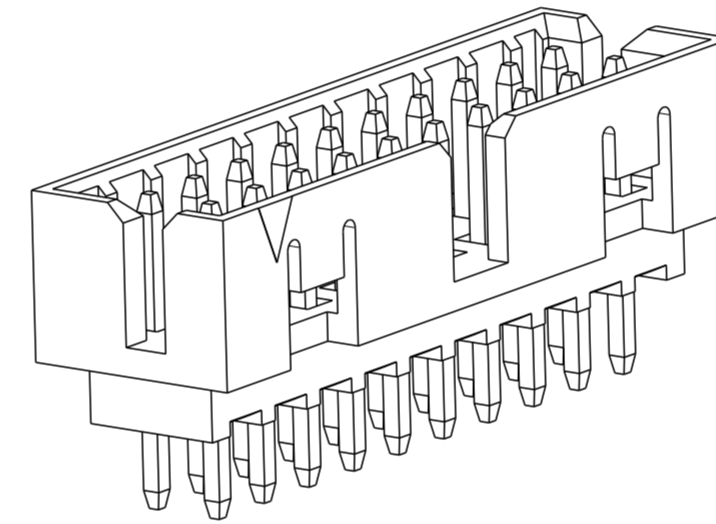
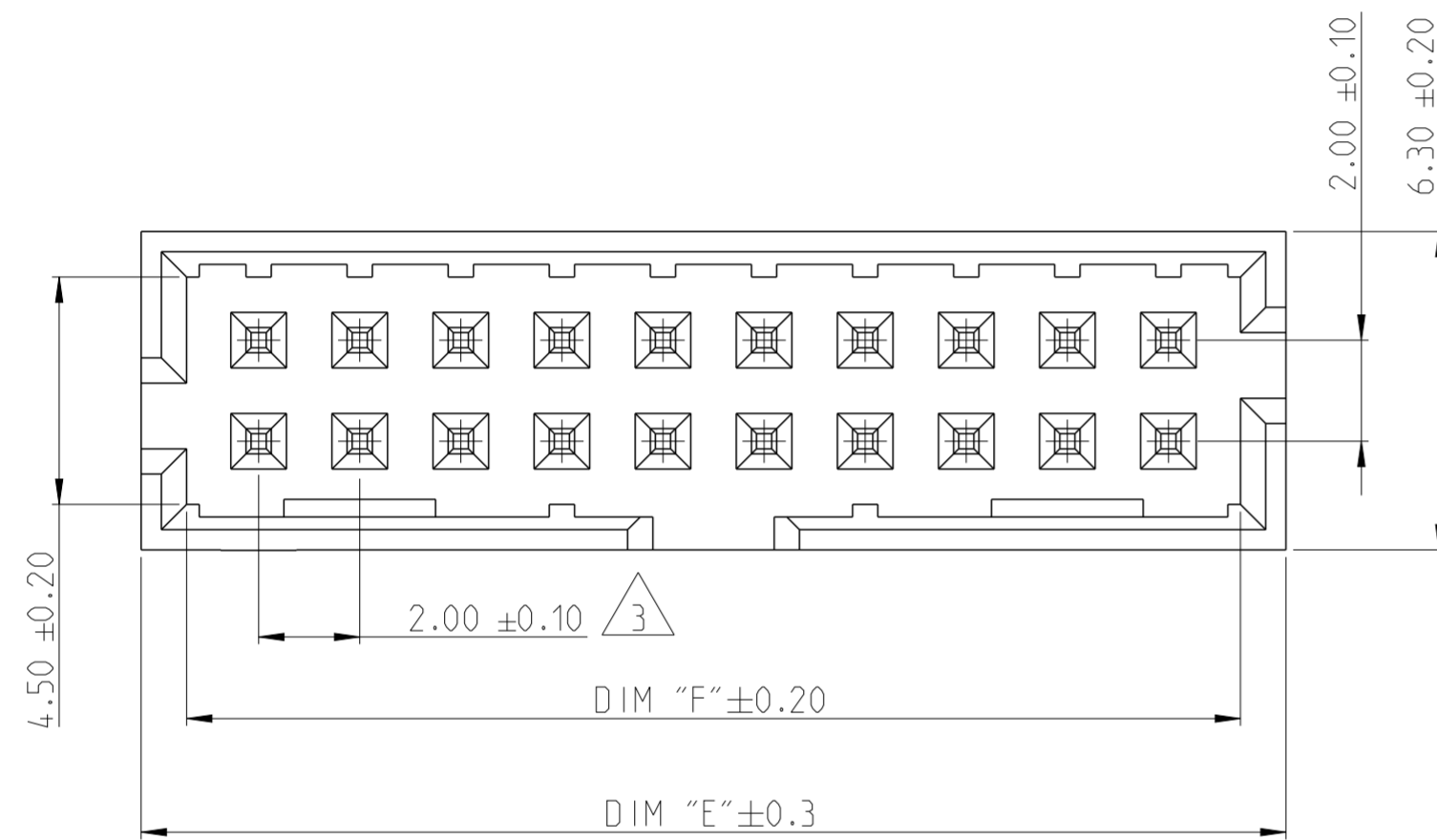


REVISIONS				
P	LTR	DESCRIPTION	DATE	APVD
A		RELEASE TO PRODUCTION	09DEC2019	AY PS

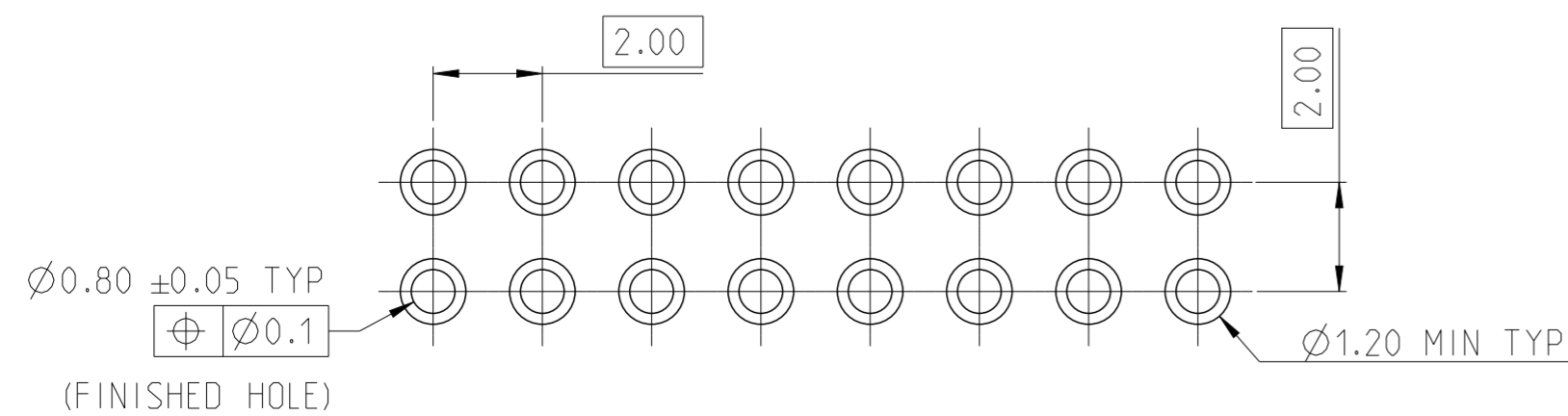


NOTES:

- MATERIAL
HOUSING : HIGH TEMPERATURE THERMOPLASTIC, UL94-V0; COLOR- BLACK
POST : COPPER ALLOY
FINISH :
MATING SIDE: MIN. 0.1 μm GOLD OVER NICKEL UNDER PLATING.
SOLDER SIDE: MIN. 2.0 μm TIN OVER NICKEL UNDER PLATING.
 - PACKAGING: TUBE
- △ TOLERANCE NOT CUMULATIVE.



RECOMMENDED PCB HOLE PATTERN FOR THROUGH HOLE WAVE



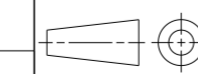
RECOMMENDED PCB HOLE PATTERN FOR THROUGH HOLE REFLOW /PIN-IN-PASTE

2-2842236-0 AS SHOWN

44	50.85	52.65	50	5-2842236-0
38	44.85	46.65	44	4-2842236-4
34	40.85	42.65	40	4-2842236-0
28	34.85	36.65	34	3-2842236-4
24	30.85	32.65	30	3-2842236-0
20	26.85	28.65	26	2-2842236-6
18	24.85	26.65	24	2-2842236-4
14	20.85	22.65	20	2-2842236-0
10	16.85	18.65	16	1-2842236-6
8	14.85	16.65	14	1-2842236-4
DIM "G"	DIM "F"	DIM "E"	POS.	TE PN.

THIS DRAWING IS A CONTROLLED DOCUMENT.

DIMENSIONS:
mm



MATERIAL
SEE NOTES

TOLERANCES UNLESS OTHERWISE SPECIFIED:
0 PLC ±
1 PLC ±
2 PLC ±0.25
3 PLC ±
4 PLC ±
ANGLES ±2°
FINISH -

DWN ANKIT YADAV 12NOV2019
CHK KARTHIK JK 25NOV2019
APVD PRASHANTH S. 27NOV2019
PRODUCT SPEC 108-64040
APPLICATION SPEC 114-32259
WEIGHT -
CUSTOMER DRAWING

TE Connectivity		NAME	
		AMPMODU 2mm SHROUDED HEADER, DUAL ROW, VERTICAL TH. 0.1 Au, TUBE	
SIZE	CAGE CODE	DRAWING NO	RESTRICTED TO
A2	00779	C-2842236	-
SCALE 5:1		SHEET 1 OF 1	REV A

CONTACT PIN	2
HOUSING	1
DESCRIPTION	ITEM NO.

单击下面可查看定价，库存，交付和生命周期等信息

[>>TE Connectivity\(泰科\)](#)